





**Westinghouse is thrilled to welcome
Julia Morris as our brand ambassador.**

Julia is an Australian icon who is really clever, really talented and has great style and substance. Like Westinghouse, Julia is a straight-talker; genuine, honest and warm.

As a busy mum, Julia relies on Westinghouse to ensure her kitchen is organised and armed with functions that make sure she is always a superstar - at home and in her professional life.



Model shown: WBE4500SA compact bottom mount fridge.

If the kitchen is the heart of the home, then Westinghouse has been a central part of it for over 60 years. We love helping Australian families with products that are not only simple to use but also make life easier. For us, it's not about fancy features or the latest fads, it's about creating practical yet innovative products that the whole family can use and enjoy every day.

Our new fridge range is packed with useful features that are as flexible as you need them to be. FlexSpace™ makes the most of the interior by maximising storage, flexibility and access, so even the biggest grocery shop fits in with ease. There's the convenience of FlexStor™, which allows you to easily change the fridge door configuration to suit your needs. You can also keep your family healthy and hydrated with quick access to chilled, filtered water from the in-door water dispenser. Add in clever features like SpillSafe™ shelves and FamilySafe™ lockable storage, and you have a range that more than meets your family's needs.

French doors 10



Bottom mounts 18



Top mounts 28



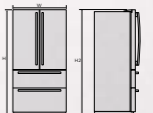
Side by sides 36



Verticals and Pigeon pairs 42



Dimensions 48



Choose the right fridge with Westinghouse

A fridge is a vital part of every home, but with so many to choose from it can be difficult to know which one is right for your family. So, to help you find your perfect fridge, we've put together some helpful guidelines and questions to consider.

Type/style

- Think about the style of your kitchen. Would white, stainless steel or pacific silver suit your space?
- Do you have limited space but still want all the benefits of a large fridge in a smaller model?
- Do you like the aesthetics of a side-by-side model and the idea of an ice and water dispenser?
- Do you tend to have a lot of frozen food or do you need more fresh food and drinks storage?

Dimensions

- Does the fridge need to fit into an existing space? Make sure you measure your kitchen cavity and doorways before choosing a fridge.
- Remember that fridges need a few centimetres of air space around them to keep them running at their best.

Capacity

- As a general rule a family of two needs around 300L of food storage space. For each additional family member add around 60L.
- Remember your family may grow in the future, so when in doubt, go for a larger size. Larger fridges tend to have more features and are more efficient.

Flexible interiors

- Are storage space and flexible interiors important to you?
- Do you like to entertain or regularly need to fit a lot of food and drinks into your fridge? Our new FlexSpace range maximises storage, flexibility and access making it perfect for families.

Value

- Consider which features are most useful to you. Your family's needs may change, so a fridge that can adapt with you is a great option.
- Ongoing running costs can eat into your family budget so check the energy rating system (the more stars and the lower kWh per year the better).

Easy cleaning

- Food can be messy! So you'll benefit from SpillSafe™ shelves, easy-to-remove parts and fingerprint-resistant surfaces.

Functions & controls

- Manual controls are quick and easy to use
- Electronic controls offer a wider range of clever functions including quick chill, door alarms, quick freeze and holiday mode.

Security & reliability

- A fridge or freezer is a considerable investment so make sure you buy a quality brand you can trust.
- For extra peace-of-mind ensure that the company you choose can provide advice, service and support for your fridge well beyond the shop floor.



R600a Refrigerant

- Westinghouse is committed to caring for the environment. That's why all of our refrigerators* have started converting over to use the less harmful R600a refrigerant. So now your family refrigerator can quietly play its own part in reducing your household's impact on the environment.

*All models except WHE7670SA use R600a refrigerant.



Model shown: WBE5300SA large bottom mount fridge.

Introducing

FlexSpace™

really clever!

Whether you've got a growing family, a busy lifestyle or both, you can always do with more space in your fridge. That's why Westinghouse created FlexSpace™.

Designed to maximise storage, flexibility and provide easy access to all your items through the flexible interior, it's the really clever solution to meet your ever-changing needs.

FlexSpace™ features the clever **FlexStor™ door**, allowing you to easily slide or lift the door bins to suit your needs while the **FamilySafe™ lockable compartment** keeps those special items away from prying fingers. The sealed **FlexFresh™ crisper** has a movable divider to help give you extra space when you need it.

Perfect for existing cavities, the FlexSpace™ range has more space inside than ever before, while the fridge width stays the same. Now that's clever!



Large french door

If you've got a big family and plenty of mouths to feed, you need the kind of fridge that can cater to the masses and more. Designed to maximise space, convenience and style, the sleek range of Westinghouse French door fridges have enough capacity and all the features you need for a busy family lifestyle.

Whether you're hosting a party, entertaining the extended family or simply whipping up the evening meal, the flexible French

door design has plenty of open space for platters, chilled drinks, snacks and fresh groceries. Plus, when you can see all the fridge's contents at a glance, you'll quickly and easily find exactly what you need.

Your family will love the convenience of the Ice and Water dispenser with its never-ending supply of fresh filtered water and crushed or cubed ice. You'll love how easy it is to keep the fingerprint-resistant, real stainless steel looking like new.



Model shown: WHE7670SA large french door fridge.



Filtered ice and water dispenser

Keep your family hydrated (and happy!) with fresh filtered water and crushed or cubed ice. The dispenser provides all you need at the touch of a button, so they'll never go thirsty again.

*WHE7670SA only



Wide open fridge space

You can never have too much space. The French door design ensures you can store party platters with ease, plus stock up on all your family favourites and fresh groceries. Having everything at eye level means you can easily check your fridge contents at a glance when you're busy.



Easy glide drawers

Designed with your comfort in mind, the easy glide crisper bins open effortlessly and provide easy access even when they're full.



Fingerprint-resistant real stainless steel

Life can be messy, but with Westinghouse's fingerprint-resistant real stainless steel, you won't have to worry. A quick wipe with a damp cloth should be all you need to keep your fridge looking its sleek and stylish best.



Freeze in bulk with double freezer drawers

The WHE6200SA French door model features double freezer drawers so you can easily access your frozen foods.



SpillSafe™ glass shelves

SpillSafe™ shelves can contain spills of up to one litre while the easy-clean interior helps keep your fridge fresh and hygienic.

Large french door

Features†



| Model | WHE7670SA | WHE6200SA |
|--|------------------|------------------|
| gross capacity (litres) | 762 | 631 |
| food compartment gross capacity (litres) | 512 | 411 |
| freezer compartment gross capacity (litres) | 250 | 220 |
| dimensions (and recommended clearances) | refer to page 49 | refer to page 49 |
| mark-resistant stainless steel door finish | ✓ | ✓ |
| filtered ice and water dispenser (cubed & crushed ice) | ✓ | |
| energy star rating | 2.5 | 3 |
| energy consumption (kWh/year) | 670 | 528 |
| contemporary curved line door design | ✓ | ✓ |
| hidden hinges | ✓ | ✓ |
| frost-free | | ✓ |
| electronic temperature controls | ✓ | ✓ |
| quick chill function | ✓ | |
| quick freeze function | ✓ | ✓ |
| separate temperature controls for fridge & freezer | ✓ | ✓ |
| fridge features | | |
| interior lighting | LED | LED |
| crispers | 2 | 2 |
| separated humidity controlled crispers | ✓ | ✓ |
| standard door bins | 5 | 6 |
| deep bottle bins | 2 | 2 |
| full width deli compartment | ✓ | ✓ |
| egg tray | ✓ | ✓ |
| Freezer features | | |
| large freezer storage drawer | ✓ | 2 |
| easy glide (telescopic) freezer drawer | ✓ | ✓ |
| twist ice and serve | | 2 trays |
| ice cube storage bin | | 1 |

† Refer to the product information on the back page of this brochure.



Model shown: WHE6200SA large french door fridge.

Compact french door

Introducing the compact French Door with FlexSpace™ - a stylish fridge packed with features to meet your ever-changing needs. The extra spacious French Door design delivers a wider capacity fridge with FlexSpace™, which is perfect for party platters or a huge weekly shop.

Plus, when you need to rearrange the storage in the door, FlexStor™ provides practical storage solutions for both small or awkward items. It also features a practical self-closing freezer drawer.

Available in white or fingerprint-resistant real stainless steel, this fridge will fit into most existing fridge spaces.



Model shown: WHE5200SA compact french door fridge.



Adjustable storage solutions with FlexStor™

Adjust the height and position of the door bins with FlexStor™.



Stands out & fits in

Stunning contemporary curved design that at 790mm fits most existing 800mm cavities.



Get organised with the FlexFresh™ Crisper

The sealed FlexFresh™ Crisper provides great flexibility with an adjustable divider for all the space you need.



FamilySafe™ lockable storage

Keep items such as medicine away from wandering fingers with FamilySafe™ lockable storage.



More brightness with LED Lighting

LED lighting at the back and top of your fridge ensures everything is easy to see and easy to find at a glance.



SpillSafe™ glass shelves

SpillSafe™ shelves can contain spills of up to one litre while the easy-clean interior helps keep your fridge fresh and hygienic.

Compact french door

Features†



NEW



NEW

| Model | WHE5200SA | WHE5200WA |
|---|------------------|------------------|
| gross capacity (litres) | 524 | 524 |
| food compartment gross capacity (litres) | 358 | 358 |
| freezer compartment gross capacity (litres) | 166 | 166 |
| dimensions (and recommended clearances) | refer to page 49 | refer to page 49 |
| door finish | Stainless steel | White |
| energy star rating new | 3 | 3 |
| energy consumption (kWh/yr) | 478 | 478 |
| contemporary curved line door design | ✓ | ✓ |
| frost-free | ✓ | ✓ |
| electronic temperature controls | ✓ | ✓ |
| quick freeze function | ✓ | ✓ |
| door alarm | fridge | fridge |
| separate temperature controls for fridge & freezer | ✓ | ✓ |
| fridge features | | |
| adjustable SpillSafe™ glass shelves | 3 | 3 |
| full width humidity controlled crisper with divider | ✓ | ✓ |
| FamilySafe™ lockable compartment | 1 | 1 |
| bottle rack | ✓ | ✓ |
| full width door bins | 4 | 4 |
| deep bottle bin | 2 | 2 |
| shallow bin | 2 | 2 |
| bottle fingers | ✓ | ✓ |
| feature lighting | blue LED | blue LED |
| main light | LED | LED |
| freezer features | | |
| ice cube storage bin | 1 | 1 |
| twist ice and serve | 2 trays | 2 trays |
| self close freezer drawer/door | ✓ | ✓ |
| large freezer storage drawer | ✓ | ✓ |
| delicates/frozen pastry tray | ✓ | ✓ |
| freezer basket runner system | telescopic | telescopic |

† Refer to the product information on the back page of this brochure.



Model shown: WHE5200WA compact french door fridge.

Large bottom mount

Designed for the ultimate in convenience, the Westinghouse FlexSpace™ range of bottom mount fridges offers lots of extra space for growing families. You'll enjoy a wide fridge capacity and countless storage solutions, while the clever FlexStor™ feature provides adjustable storage on the fridge door so you can change the configuration when you need to.

The easy-to-clean FlexFresh™ Crisper has a handy divider that gives you extra space

when you need it. The clever seal provides an ideal environment for your fruit and vegetables, ensuring less wastage. Telescopic freezer bins give the whole family quick and easy access without the effort, even when they're full.

The bottom mount range offers stylish yet practical options including white or fingerprint-resistant, real stainless steel finishes, and an integrated or bar handle.



Model shown: WBE5300SA large bottom mount fridge.



Adjustable storage solutions with FlexStor™

Adjust the height and position of the door bins with FlexStor™.



FamilySafe™ lockable storage

Keep items such as medicine away from wondering fingers with FamilySafe™ lockable storage.



Get organised with the FlexFresh™ Crisper

The sealed FlexFresh™ Crisper provides great flexibility with an adjustable divider for all the space you need.



More brightness with LED Lighting

LED lighting at the back and top of your fridge ensures everything is easy to see and easy to find at a glance.



Electronic controls

Organising your fridge couldn't be easier! The electronic controls allow you to adjust the temperature or set the quick freeze function with the touch of a button.



SpillSafe™ glass shelves

SpillSafe™ shelves can contain spills of up to one litre while the easy-clean interior helps keep your fridge fresh and hygienic.

Bottom mount - large

Features†



| Model | WBE4504SA |
|---|--------------------|
| gross capacity (litres) | 455 |
| food compartment gross capacity (litres) | 295 |
| freezer compartment gross capacity (litres) | 160 |
| door finish | Stainless steel |
| energy star rating new | 3.5 |
| energy consumption (kWhr/yr) | 388 |
| contemporary curved line door design | rounded |
| frost-free | ✓ |
| electronic temperature controls | ✓ |
| quick freeze function | ✓ |
| door alarm | fridge |
| separate temperature controls for fridge & freezer | ✓ |
| fridge features | |
| adjustable spillsafe™ glass shelves | ✓ |
| pull out shelf | ✓ |
| full width humidity controlled crisper with divider | ✓ |
| half width door bins | 3 |
| shallow bin | 1 |
| deep bottle bins | 1 |
| FamilySafe™ lockable compartment | ✓ |
| bottle rack | ✓ |
| feature lighting | blue LED |
| main light | LED |
| freezer features | |
| ice cube storage bin | ✓ |
| twist ice and serve | 2 trays |
| large freezer storage drawer | ✓ |
| delicates/frozen pastry tray | ✓ |
| freezer basket runner system | telescopic |
| other features | |
| door opening | left or right hand |
| hidden hinges | ✓ |
| adjustable front rollers | ✓ |
| rear rollers | ✓ |

| Model | WBE4500WA | WBE5304SA | WBE5300WA |
|---|--------------------|--------------------|--------------------|
| gross capacity (litres) | 455 | 529 | 529 |
| food compartment gross capacity (litres) | 295 | 344 | 344 |
| freezer compartment gross capacity (litres) | 160 | 185 | 185 |
| door finish | White | Stainless steel | White |
| energy star rating new | 3.5 | 3.5 | 3.5 |
| energy consumption (kWhr/yr) | 388 | 421 | 421 |
| contemporary curved line door design | rounded | rounded | rounded |
| frost-free | ✓ | ✓ | ✓ |
| electronic temperature controls | ✓ | ✓ | ✓ |
| quick freeze function | ✓ | ✓ | ✓ |
| door alarm | fridge | fridge | fridge |
| separate temperature controls for fridge & freezer | ✓ | ✓ | ✓ |
| fridge features | | | |
| adjustable spillsafe™ glass shelves | ✓ | ✓ | ✓ |
| pull out shelf | ✓ | ✓ | ✓ |
| full width humidity controlled crisper with divider | ✓ | ✓ | ✓ |
| half width door bins | 3 | 3 | 3 |
| shallow bin | 1 | 1 | 1 |
| deep bottle bins | 1 | 1 | 1 |
| FamilySafe™ lockable compartment | ✓ | ✓ | ✓ |
| bottle rack | ✓ | ✓ | ✓ |
| feature lighting | blue LED | blue LED | blue LED |
| main light | LED | LED | LED |
| freezer features | | | |
| ice cube storage bin | ✓ | ✓ | ✓ |
| twist ice and serve | 2 trays | 2 trays | 2 trays |
| large freezer storage drawer | ✓ | ✓ | ✓ |
| delicates/frozen pastry tray | ✓ | ✓ | ✓ |
| freezer basket runner system | telescopic | telescopic | telescopic |
| other features | | | |
| door opening | left or right hand | left or right hand | left or right hand |
| hidden hinges | ✓ | ✓ | ✓ |
| adjustable front rollers | ✓ | ✓ | ✓ |
| rear rollers | ✓ | ✓ | ✓ |

† Refer to the product information on the back page of this brochure.

Compact bottom mount

When kitchen space is at a premium, the Westinghouse compact bottom mount fridge is the ideal solution.

With all the features of our larger models, this ergonomically designed fridge has all of our big ideas in a smaller package. With the clever FlexStor™ adjustable storage, you'll enjoy the convenience of being able to easily change the configuration whatever your needs.

Available in white or vibrant silver, the fridge also features a stylish integrated handle and easy clean interiors.



Model shown: WBB3700WF compact bottom mount fridge.



Adjustable storage solutions with FlexStor™

Adjust the height and position of the door bins with FlexStor™.



Humidity controlled crisper

The full width, humidity controlled crisper offers the perfect environment for preserving fruit and vegetables, as well as having a removable crisper front for easy cleaning.



Easy clean vibrant silver doors

The easy clean silver doors ensure all Westinghouse fridges maintain that sleek clean look. In fact, a damp cloth should be all you need to remove fingerprint marks from any Westinghouse silver door.



Easy clean glass shelves

The adjustable and durable glass shelves contain spills and can be wiped clean with ease.



Multi-flow

The multi-flow air delivery system maintains an even temperature throughout - keeping your food fresher for longer.



Twist ice and serve

Twist ice and serve is an easy way to dispense ice.

NEW



NEW



Bottom mount - compact

Features†

| Model | WBB3700PF/WF | WBB3400PF/WF |
|---|------------------------------|------------------------------|
| gross capacity (litres) | 370 | 340 |
| food compartment gross capacity (litres) | 267 | 237 |
| freezer compartment gross capacity (litres) | 102 | 102 |
| dimensions (and recommended clearances) | refer to page 50 | refer to page 50 |
| door finish | vibrant silver/classic white | vibrant silver/classic white |
| energy star rating | 3.5 | 3.5 |
| energy consumption (kWh/year) | 344 | 331 |
| frost-free | ✓ | ✓ |
| multi-flow air delivery system | ✓ | ✓ |
| separate temperature controls for fridge & freezer | ✓ | ✓ |
| fridge door alarm | ✓ | ✓ |
| fridge features | | |
| adjustable glass shelves | 3 | 3 |
| full-width humidity controlled crisper bin | ✓ | ✓ |
| dairy compartment | ✓ | ✓ |
| full-width bottle bins | 1 | 1 |
| 1/3 door bins | 2 | 2 |
| 2/3 door bins | 2 | 2 |
| egg tray | ✓ | ✓ |
| interior fridge light | LED | LED |
| freezer features | | |
| twist ice server/storage bin | ✓ | ✓ |
| freezer basket (half-width) | 1 | 1 |
| freezer basket (full-width) | 2 | 2 |
| other features | | |
| R600a refrigerant | ✓ | ✓ |
| hidden hinges | ✓ | ✓ |
| door opening | reversible ¹ | reversible ¹ |
| rear rollers | ✓ | ✓ |
| levelling legs | ✓ | ✓ |
| integration kit available | ✓ | ✓ |

¹ For those wanting a left hand opening door for models WBB3700 or WBB3400, please order reversing kit ACC096.

† Refer to the product information on the back page of this brochure.



Model shown: WBB3700PF compact bottom mount fridge.



FlexStor™

As your family changes and grows, you need a fridge that can adapt with you. With the clever FlexStor™ system, you'll enjoy the convenience of being able to easily change the configuration of your fridge, whatever your needs.

Whether you're planning a family gathering or unpacking a big weekly shop, simply slide or lift to adjust the height and position of the door bins to suit your requirements. With endless storage solutions and the ability to fit in those large and small items, you can arrange your fridge so that everything is easy to find.

really clever!



Large top mount

Loaded with a great range of features, our large top mount fridges are always popular - and it's easy to see why. With the freezer up high, the whole family has easy access to fresh food, while the ever-changing needs are met thanks to the extra spacious design of the FlexSpace™ range.

FlexStor™ also allows you to adjust the height and position of the door bins so you'll always be able to fit in whatever you need. They also come loaded with great features including the adjustable FlexFresh™ crisper, SpillSafe™ glass shelves and a twist ice and serve dispenser.



Model shown: WTB5400SA large top mount fridge.



Adjustable storage solutions with FlexStor™

Adjust the height and position of the door bins with FlexStor™.



FamilySafe™ lockable storage

Keep items such as medicine away from wondering fingers with FamilySafe™ lockable storage.



Keep it organised

Keep your deli items organised with the practical chiller compartment.



Get organised with the FlexFresh™ Crisper

The sealed FlexFresh™ Crisper provides great flexibility with an adjustable divider for all the space you need.



Twist ice and serve

Twist ice and serve is an easy way to dispense ice, along with a convenient removable ice bucket and scoop to make serving simple.



SpillSafe™ glass shelves

SpillSafe™ shelves can contain spills of up to one litre while the easy-clean interior helps keep your fridge fresh and hygienic.

Large top mount

Features†



| Model | WTB4600SA | WTB4600WA |
|---|--------------------|--------------------|
| gross capacity (litres) | 462 | 462 |
| food compartment gross capacity (litres) | 342 | 342 |
| freezer compartment gross capacity (litres) | 120 | 120 |
| door finish | Stainless steel | White |
| energy star rating new | 3.5 | 3.5 |
| energy consumption (kWhr/yr) | 385 | 385 |
| contemporary curved line door design | ✓ | ✓ |
| frost-free | ✓ | ✓ |
| electronic temperature controls | ✓ | ✓ |
| quick chill alarm | ✓ | ✓ |
| door alarm | fridge | fridge |
| separate temperature controls for fridge & freezer | ✓ | ✓ |
| Fridge features | | |
| adjustable spillsafe™ glass shelves | 2 | 2 |
| full width humidity controlled crisper with divider | ✓ | ✓ |
| half width door bins | 4 | 4 |
| shallow bin | 1 | 1 |
| deep bottle bins | 1 | 1 |
| bottle fingers | ✓ | ✓ |
| hanging deli compartment | ✓ | ✓ |
| Family Safe lockable compartment | ✓ | ✓ |
| feature lighting | blue LED | blue LED |
| main light | LED | LED |
| Freezer features | | |
| ice cube storage bin | ✓ | ✓ |
| twist ice and serve | 2 | 2 |
| spillsafe™ glass shelf | 1 | 1 |
| full-width door bin with divider | 1 | 1 |
| Other features | | |
| door opening | left or right hand | left or right hand |
| hidden hinges | ✓ | ✓ |
| adjustable front rollers | ✓ | ✓ |
| rear rollers | ✓ | ✓ |

| WTB4604SA | WTB5400SA | WTB5400WA | WTB5404SA |
|--------------------|--------------------|--------------------|--------------------|
| 462 | 537 | 537 | 537 |
| 342 | 396 | 396 | 396 |
| 120 | 141 | 141 | 141 |
| Stainless steel | Stainless steel | White | Stainless steel |
| 3.5 | 3.5 | 3.5 | 3.5 |
| 385 | 418 | 418 | 418 |
| ✓ | ✓ | ✓ | ✓ |
| ✓ | ✓ | ✓ | ✓ |
| ✓ | ✓ | ✓ | ✓ |
| ✓ | ✓ | ✓ | ✓ |
| fridge | fridge | fridge | fridge |
| ✓ | ✓ | ✓ | ✓ |
| 2 | 2 | 2 | 2 |
| ✓ | ✓ | ✓ | ✓ |
| 4 | 4 | 4 | 4 |
| 1 | 1 | 1 | 1 |
| 1 | 1 | 1 | 1 |
| ✓ | ✓ | ✓ | ✓ |
| ✓ | ✓ | ✓ | ✓ |
| blue LED | blue LED | blue LED | blue LED |
| LED | LED | LED | LED |
| ✓ | ✓ | ✓ | ✓ |
| 2 | 2 | 2 | 2 |
| 1 | 1 | 1 | 1 |
| 1 | 1 | 1 | 1 |
| left or right hand | left or right hand | left or right hand | left or right hand |
| ✓ | ✓ | ✓ | ✓ |
| ✓ | ✓ | ✓ | ✓ |
| ✓ | ✓ | ✓ | ✓ |

† Refer to the product information on the back page of this brochure.

Compact top mount

While our compact top mounts may be smaller on the outside, they are definitely big on the inside. With all the capacity and great features of our larger models, this ergonomically designed fridge has been designed without compromise.

The clever FlexStor™ door offers amazing convenience and allows you to change your fridge configuration to suit your needs. What's more, easy clean glass shelves, an integrated door handle and fingerprint resistant doors make cleaning a breeze.

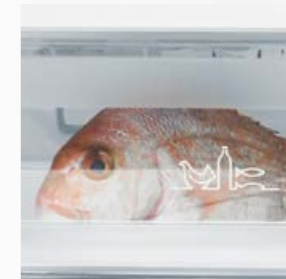


Model shown: WTB2800WF compact top mount fridge.



Adjustable storage solutions with FlexStor™

Adjust the height and position of the door bins with FlexStor™.



Chiller compartment

The chiller compartment allows you to store perishable food for longer.



Easy clean vibrant silver doors

The easy clean silver doors ensure all Westinghouse fridges maintain that sleek clean look. In fact, a damp cloth should be all you need to remove fingerprint marks from any Westinghouse silver door fridge or freezer.



Humidity controlled crisper

The full width, humidity controlled crisper offers the perfect environment for preserving fruit and vegetables, as well as having a removable crisper front for easy cleaning.



Twist ice and serve

Twist ice and serve is an easy way to dispense ice.



Easy clean glass shelves

The adjustable and durable glass shelves can be wiped clean with ease. Selected models also come with a glass shelf in the freezer.

Top mount - compact

Features†



| Model | WME360SF | WTB3700PF/WF | WTB3400PF/WF |
|---|------------------|----------------------------------|----------------------------------|
| gross capacity (litres) | 360 | 370 | 340 |
| food compartment gross capacity (litres) | 215 | 278 | 248 |
| flexible middle compartment gross capacity (litres) | 59 | | |
| freezer compartment gross capacity (litres) | 89 | 91 | 91 |
| dimensions (and recommended clearances) | refer to page 51 | refer to page 51 | refer to page 51 |
| door finish | stainless steel | vibrant silver/ classic white | vibrant silver/ classic white |
| energy star rating | 2.5 | 3.5 | 3.5 |
| energy consumption (kWh/year) | 449 | 340 | 328 |
| frost-free | ✓ | ✓ | ✓ |
| multi-flow air delivery system | ✓ | ✓ | ✓ |
| separate temperature controls for fridge & freezer | ✓ | ✓ | ✓ |
| fridge door alarm | ✓ | ✓ | ✓ |
| fingerprint-resistant surface | ✓ | | |
| fridge features | | | |
| adjustable glass shelves | 2 | 3 | 3 |
| adjustable wire shelves | | | |
| full-width chiller compartment | ✓ | ✓ | ✓ |
| bottle caddy | | ✓ | ✓ |
| full-width humidity controlled crisper bin | ✓ | ✓ | ✓ |
| crisper bin | | | |
| dairy compartment | | | |
| full-width door bins | 2 | 2 | 2 |
| half-width door bins | | | |
| 1/3 door bins | 2 | 2 | 2 |
| 2/3 door bins | 2 | 2 | 2 |
| interior fridge light | LED | ✓ | ✓ |
| freezer features | | | |
| easy clean glass shelves | ✓ | ✓ | ✓ |
| wire/plastic shelves | | | |
| twist ice server/storage bin | ✓ | ✓ | ✓ |
| ice cube trays/storage bin | | | |
| full-width door bins | 2 | 2 | 2 |
| other features | | | |
| R600a refrigerant | ✓ | ✓ | ✓ |
| hidden hinges | ✓ | ✓ | ✓ |
| door opening | right hand | reversible ¹ | reversible ¹ |
| rear rollers | ✓ | ✓ | ✓ |
| levelling legs | ✓ | | |
| integration kit available | | ✓ | ✓ |

| WTB2800PF/WF | WTB2500PF/WF | WTB2300PF/WF | WTM2000WC | WTM1800WC |
|----------------------------------|----------------------------------|----------------------------------|-------------------------|-------------------------|
| 280 | 250 | 230 | 200 | 180 |
| 198 | 168 | 153 | 144 | 127 |
| | | | | |
| 78 | 78 | 78 | 59 | 54 |
| refer to page 51 | refer to page 51 | refer to page 51 | refer to page 51 | refer to page 51 |
| vibrant silver/ classic white | vibrant silver/ classic white | vibrant silver/ classic white | classic white | classic white |
| 3.5 | 3.5 | 3.5 | 2 | 2 |
| 296 | 282 | 276 | 360 | 341 |
| ✓ | ✓ | ✓ | ✓ | ✓ |
| ✓ | ✓ | ✓ | | |
| ✓ | ✓ | ✓ | | |
| ✓ | ✓ | ✓ | | |
| | | | | |
| 2 | 2 | 2 | | |
| | | | 3 | 3 |
| ✓ | ✓ | ✓ | | |
| ✓ | ✓ | ✓ | | |
| | | | ✓ | ✓ |
| | | | ✓ | ✓ |
| 2 | 2 | 2 | 3 | 3 |
| | | | 2 | 2 |
| 3 | 3 | 3 | | |
| ✓ | ✓ | ✓ | ✓ | ✓ |
| | | | | |
| ✓ | ✓ | ✓ | | |
| ✓ | ✓ | ✓ | 1/- | 1/- |
| ✓ | ✓ | ✓ | | |
| 2 | 2 | 2 | 2/✓ | 2/✓ |
| | | | 1 | 1 |
| ✓ | ✓ | ✓ | ✓ | ✓ |
| ✓ | ✓ | ✓ | ✓ | ✓ |
| reversible ¹ | reversible ¹ | reversible ¹ | reversible ² | reversible ² |
| | | | ✓ | ✓ |
| | | | ✓ | ✓ |
| ✓ | ✓ | ✓ | | |

1 For those wanting a left hand opening door for models WTB2300, WTB2500, WTB2800, WTB3400 or WTB3700, please order reversing kit ACC096.

2 No additional parts required to reverse the doors for models WTM2000WC & WTM1800WC.

† Refer to the product information on the back page of this brochure.

Side by sides

Like having a full freezer and fridge in one unit? The 700 litre side by side provides you with the maximum fresh food and freezer storage in one fridge – with a wider fresh food section. It is truly the fridge big enough for any family.

For those with big families but limited space, the compact side by side is the perfect solution. Combining a full-length freezer on the left and a full-length fridge on the right, these models have been specifically designed to fit into the popular 600mm deep and 900mm wide fridge cavity – so you don't have to renovate your kitchen.



Model shown: WSE6970SF large side by side fridge.



Filtered ice & water dispenser

Available on selected models, our new ice and water dispenser delivers fresh, filtered water and crushed or cubed ice instantly. And to make things easier, the innovative combi-lever lets you do it all using just one hand.



Easy-fill dispenser for water bottles

With Aqua Direct, you can fill up water bottles of all shapes and sizes – even those with a narrow neck. It's our new splash-free water dispensing system that is so simple to use, even the kids can do it.



Easy glide drawers & specialised compartments

Easy glide freezer bins and fridge crispers* give easy access without the effort – even when they're full. Humidity controlled crispers keep fruit and vegetables fresh, while deli drawers help isolate odours. Handy FamilySafe™ drawers put special items safely out of reach. *Selected models only



Compact ice maker

Growing families always need more space. Cleverly designed to create additional storage space, the compact ice maker and removable ice storage bin provide great flexibility and convenience. The ice storage bin is also ideal for filling eskies.



Adjustable interiors with SpillSafe™ glass shelves

With over 20 different shelving and door bin positions, you can easily fit the smallest deli items to the biggest party platters. SpillSafe™ glass shelves improve visibility and isolate leaks – preventing up to 1 litre of spills from dripping down to the shelves below.



Fingerprint-resistant real stainless steel

Life can be messy, but with Westinghouse's fingerprint-resistant real stainless steel, you won't have to worry. A quick wipe with a damp cloth should be all you need to keep your fridge looking its sleek and stylish best.

Healthy, continuous fresh water

Enjoy the convenience of endless refreshment with quick access to chilled, filtered water from the slimline in-door water dispenser. So simple, even the kids can help themselves.



Model shown: WSE6970SF large side by side fridge.

Side by sides - large

Features†



| Model | WSE6970SF/WF | WSE7000SF/WF |
|--|-------------------------------|-------------------------------|
| gross capacity (litres) | 690 | 700 |
| food compartment gross capacity (litres) | 450 | 450 |
| freezer compartment gross capacity (litres) | 240 | 250 |
| dimensions (and recommended clearances) | refer to page 48 | refer to page 48 |
| door finish | stainless steel/classic white | stainless steel/classic white |
| filtered ice and water dispenser (cubed & crushed ice) | ✓ | |
| frost-free | ✓ | ✓ |
| separate temperature controls for fridge and freezer | ✓ | ✓ |
| fingerprint-resistant surface | ✓ | ✓ |
| aqua direct | ✓ | |
| electronic controls | | |
| door alarm | ✓ | ✓ |
| drinks chill timer | ✓ | ✓ |
| quick freeze function | ✓ | ✓ |
| holiday energy efficiency mode | ✓ | ✓ |
| fridge features | | |
| easy glide crispers with humidity control | 2 | 2 |
| adjustable spillsafe™ glass shelves | 3 | 3 |
| repositional deli compartment | ✓ | ✓ |
| dairy compartment | ✓ | ✓ |
| bottle bin/with bottle fingers | 4/2 | 4/2 |
| interior fridge light | ✓ | ✓ |
| freezer features | | |
| removable ice bin | ✓ | ✓ |
| easy glide freezer bins | 2 | 2 |
| adjustable spillsafe™ slide-out glass shelves | 2 | 3 |
| adjustable freezer door bins - clear | 3 | 5 |
| twist ice and serve | | 3 |
| interior freezer light | ✓ | ✓ |
| other features | | |
| australian made | ✓ | ✓ |
| adjustable front rollers | ✓ | ✓ |
| rear rollers | ✓ | ✓ |
| energy star rating | 2 | 2.5 |
| energy consumption (kWh/year) | 699 | 637 |

† Refer to the product information on the back page of this brochure.

Side by sides - compact

Features†



| Model | WSE6070SF/WF | WSE6100SF/WF |
|--|-------------------------------|-------------------------------|
| gross capacity (litres) | 600 | 610 |
| food compartment gross capacity (litres) | 360 | 357 |
| freezer compartment gross capacity (litres) | 240 | 249 |
| dimensions (and recommended clearances) | refer to page 48 | refer to page 48 |
| door finish | stainless steel/classic white | stainless steel/classic white |
| filtered ice and water dispenser (cubed & crushed ice) | 80 | 80 |
| frost-free | ✓ | ✓ |
| fingerprint-resistant surface | ✓ | ✓ |
| aqua direct | ✓ | |
| electronic controls | | |
| door alarm | ✓ | ✓ |
| drinks chill timer | ✓ | ✓ |
| quick freeze function | ✓ | ✓ |
| holiday energy efficiency mode | ✓ | ✓ |
| fridge features | | |
| blue feature lighting | ✓ | |
| storesafe™ drawer with child latch | ✓ | ✓ |
| adjustable spillsafe™ slide-out glass shelves | 3 | 3 |
| bottle rack | ✓ | ✓ |
| repositional deli compartment | ✓ | ✓ |
| humidity controlled crisper bins | 2 | 2 |
| dairy compartment | ✓ | ✓ |
| bottle bin/with bottle fingers | 4/2 | 4/2 |
| egg tray | ✓ | ✓ |
| interior fridge light | ✓ | ✓ |
| freezer features | | |
| removable ice bin | ✓ | ✓ |
| adjustable spillsafe™ slide-out glass shelves | 3 | 4 |
| freezer basket with clear fascia | 2 | 2 |
| adjustable freezer door bins - clear | 3 | 5 |
| twist ice and serve | | 3 |
| interior freezer light | ✓ | ✓ |
| other features | | |
| australian made | ✓ | ✓ |
| adjustable front rollers | ✓ | ✓ |
| rear rollers | ✓ | ✓ |
| energy star rating | 2 | 2.5 |
| energy consumption (kWh/year) | 660 | 605 |

† Refer to the product information on the back page of this brochure.



Model shown: WSE6970SF large side by side fridge.

Verticals and Pigeon pairs

Westinghouse's vertical fridges and freezers can be combined in one space to give you a pigeon pair. This provides you with the maximum fresh food and freezer storage in one unit - truly the big fridge for the big family. Or they can be placed in separate places to give you best utilisation of space in your kitchen/home. Best of all, their interior is as flexible as their exterior.



Models shown: WRM4300SB & WFM3600SB combination.



Easy glide crispers and freezer bins*

Telescopic freezer bins and fridge crispers give the whole family quick and easy access without the effort - even when they're full.

*Selected models only



Twist ice and serve

Twist ice and serve is an easy way to dispense ice.



Adjustable interiors

With over 20 different shelving and door bin positions, you can easily fit the smallest deli items to the biggest party platters.



SpillSafe™ glass shelves

SpillSafe™ glass shelves improve visibility and isolate leaks - preventing up to one litre of spills from dripping down to the shelves below.



Chill stream®

A chill stream® air curtain is directed down the front of the fridge from the top compartment, keeping your drinks at the front perfectly cold without freezing items at the back.



Fingerprint-resistant real stainless steel

Life can be messy, but with Westinghouse's fingerprint-resistant real stainless steel, you won't have to worry. A quick wipe with a damp cloth should be all you need to keep your fridge looking its sleek and stylish best.

Single door fridges

Features†



| Model | WRM4300SB/WB | WRM3700PB/WB | WRM2400WD |
|---|-----------------------------------|----------------------------------|------------------|
| gross capacity (litres) | 430 | 370 | 240 |
| door finish | stainless steel/ classic white | pacific silver/ classic white | classic white |
| dimensions (and recommended clearances) | refer to page 48 | refer to page 48 | refer to page 48 |
| door opening | left or right hand available | left or right hand available | reversible |
| frost-free | ✓ | ✓ | |
| separate temperature control | ✓ | ✓ | ✓ |
| chill stream® air curtain | ✓ | ✓ | |
| multi-flow air delivery system | ✓ | ✓ | |
| fridge features | | | |
| adjustable deli compartment | ✓ | ✓ | |
| bottle caddy | ✓ | ✓ | |
| easy glide crisper bins | ✓ | | |
| storesafe™ drawer with child latch | ✓ | | |
| adjustable spillsafe™ slide out glass shelves | ✓ | ✓ | |
| full width crisper bin | ✓ | ✓ | ✓ |
| humidity controlled crisper bin | ✓ | ✓ | |
| dairy compartment (full width) with lid | ✓ | ✓ | ✓ |
| adjustable full width bottle bins | 2 | 2 | 3 |
| bottle fingers | 2 | 2 | |
| egg tray | ✓ | ✓ | ✓ |
| interior fridge light | ✓ | ✓ | ✓ |
| other features | | | |
| australian made | ✓ | ✓ | |
| R600a refrigerant | ✓ | ✓ | ✓ |
| adjustable front rollers | ✓ | ✓ | |
| adjustable front levelling leg | | | ✓ |
| rear rollers | ✓ | ✓ | |
| integration kit available | ✓ | ✓ | |
| energy star rating | 1.5 | 1.5 | 2.5 |
| energy consumption (kWh/year) | 380 | 353 | 237 |

† Refer to the product information on the back page of this brochure.

Vertical freezers

Features†



| Model | WFM3600SB/WB | WFM3000PB/WB | WFM1800WD | WFM1810WC |
|---|-----------------------------------|----------------------------------|------------------|------------------|
| gross capacity (litres) | 360 | 300 | 180 | 180 |
| door finish | stainless steel/ classic white | pacific silver/ classic white | classic white | classic white |
| dimensions (and recommended clearances) | refer to page 48 | refer to page 48 | refer to page 48 | refer to page 48 |
| door opening | left or right hand available | left or right hand available | reversible | reversible |
| frost-free | ✓ | ✓ | | ✓ |
| separate temperature control | ✓ | ✓ | ✓ | ✓ |
| multi-flow air delivery system | ✓ | ✓ | | |
| freezer features | | | | |
| easy glide baskets | ✓ | | | |
| twist ice and serve/trays | ✓/2 | ✓/2 | - /1 | - /1 |
| ice cube storage bin | ✓ | ✓ | ✓ | ✓ |
| adjustable glass shelves | 3 | 5 | | |
| full-width freezer baskets | 3 | 1 | 5 | 4 |
| freezer light | ✓ | ✓ | | |
| other features | | | | |
| australian made | ✓ | ✓ | | |
| R600a refrigerant | ✓ | ✓ | ✓ | ✓ |
| adjustable front rollers | ✓ | ✓ | | |
| adjustable front levelling leg | | | ✓ | ✓ |
| rear rollers | ✓ | ✓ | | |
| integration kit available | ✓ | ✓ | | |
| energy star rating | 1.5 | 1.5 | 3 | 3 |
| energy consumption (kWh/year) | 569 | 525 | 274 | 282 |

† Refer to the product information on the back page of this brochure.

Seamless integration

The Westinghouse Integrated Refrigeration Kit offers a simple and precise solution for a seamless kitchen. The specialised Westinghouse hinges also allow the fridge door to open to a wide 120°, making it easier to access food as well as clean and remove

shelves. In order to prevent unnecessary running around and hidden costs, our unique kit comes complete with all parts to complete the installation, including the hinges.



How does it work?

The kit is designed to fit a wide variety of Top and Bottom Mount Westinghouse Fridges and Vertical Freezers. It utilises a sliding system which fixes the outer door of the fridge to the kitchen cabinet.

When the cabinet door is opened, the connecting rail opens the fridge in one smooth and simple motion.

For all applicable models please refer to the product feature table below.

Models that can be used with Integration Kit IK007 and IK008

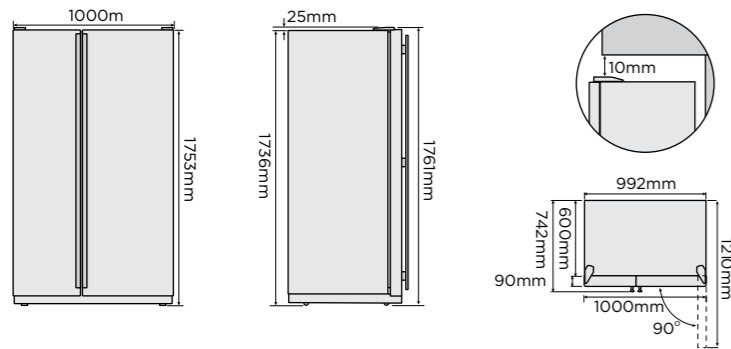
| IK007 | IK008 | | |
|-----------|--------------|-----------|-------------|
| Top Mount | Bottom Mount | Top Mount | Single Door |
| WTB3700 | WBE5300 | WTB5400 | WRM4300 |
| WTB3400 | WBE4500 | WTB4600 | WRM3700 |
| WTB2800 | WBB3700 | | WFM3600 |
| WTB2500 | WBB3400 | | WFM3000 |
| WTB2300 | | | |



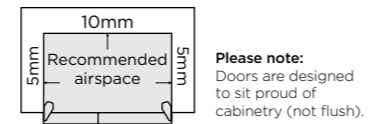
Model shown: WBE5300 bottom mount fridge with integration kit IK008.

Large side by sides†

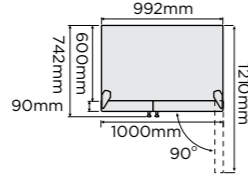
WSE6970SF, WSE6970WF, WSE7000SF, WSE7000WF



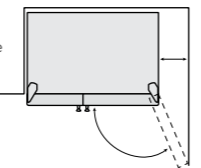
Minimum recommended Airspaces These are the recommended minimum clearances.



Please note:
Doors are designed to sit proud of cabinetry (not flush).



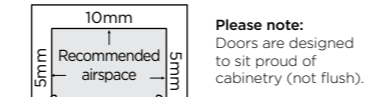
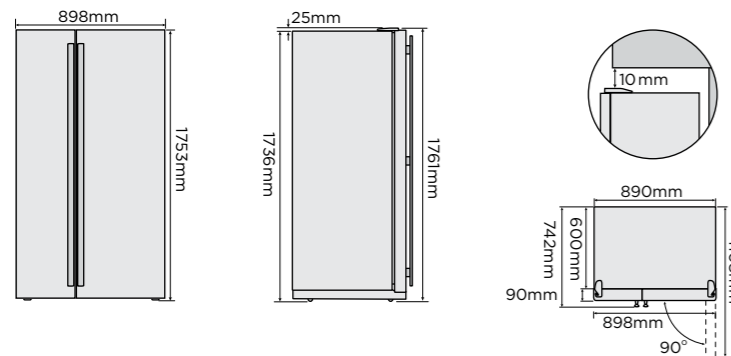
Front face of bench aligned to front corner edge of cabinet.



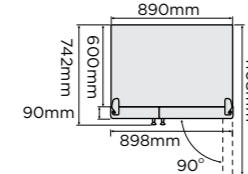
When positioned in a corner area, clearance of at least 350mm on the fridge side and 250mm on the freezer side will allow the doors to open enough to enable the removal of the bins and glass shelves.

Compact side by sides†

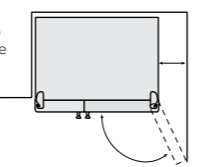
WSE6070SF, WSE6070WF, WSE6100SF, WSE6100PF, WSE6100WF



Please note:
Doors are designed to sit proud of cabinetry (not flush).

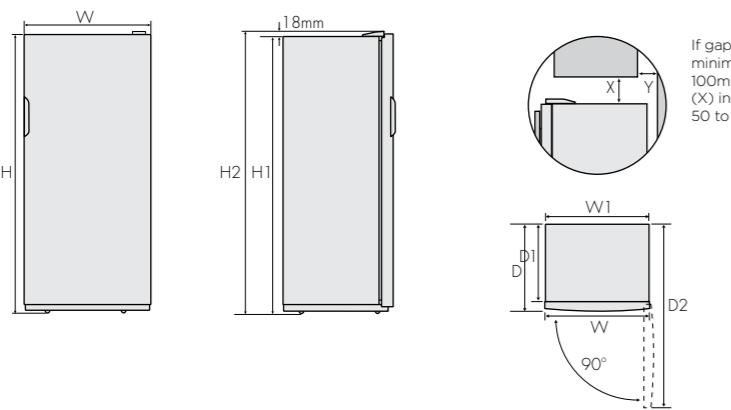


Front face of bench aligned to front corner edge of cabinet.

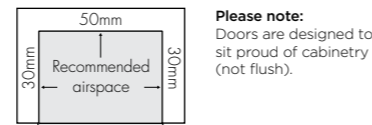


When positioned in a corner area, clearance of at least 300mm on the fridge side and 250mm on the freezer side will allow the doors to open enough to enable the removal of the bins and glass shelves.

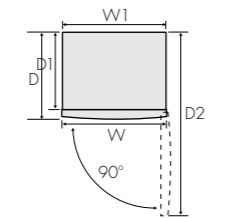
Verticals and pigeon pairs†



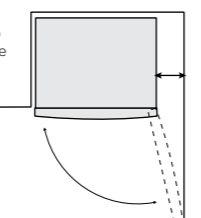
If gap (Y) is not minimum of 100mm, then gap (X) increases from 50 to 90mm.



Please note:
Doors are designed to sit proud of cabinetry (not flush).



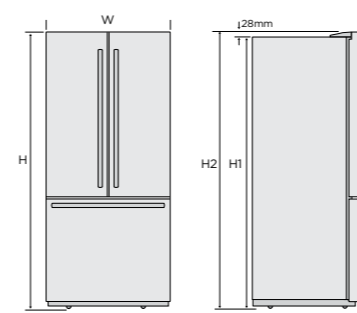
Front face of bench aligned to front corner edge of cabinet.



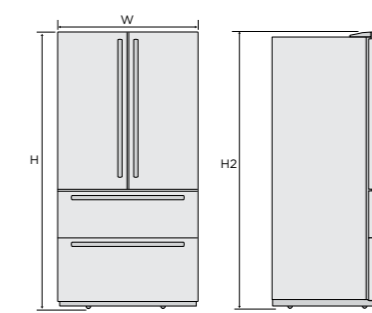
When positioned in a corner area, clearance of at least 350mm on the fridge side will allow the doors to open enough to enable the removal of the crisper bins and shelves*.

Large and compact french doors†

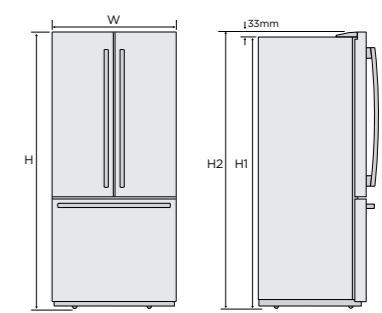
WHE5200SA, WHE5200WA



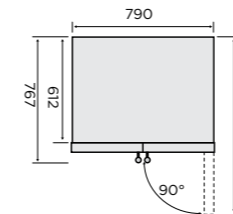
WHE6200SA



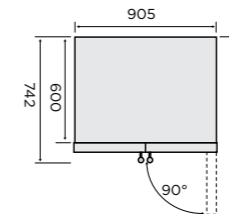
WHE7670SA



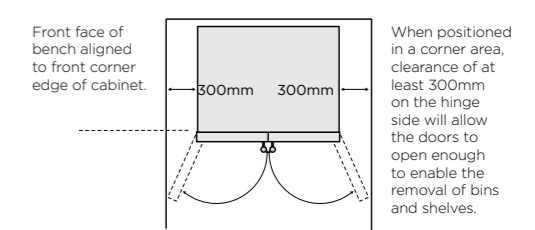
WHE5200SA, WHE5200WA



WHE6200SA

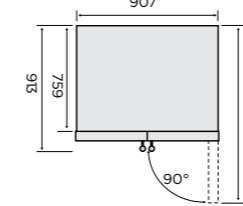


WHE5200SA, WHE5200WA

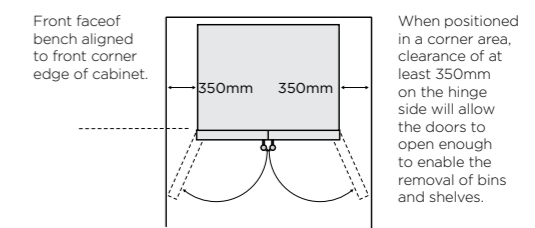


When positioned in a corner area, clearance of at least 300mm on the hinge side will allow the doors to open enough to enable the removal of bins and shelves.

WHE7670SA

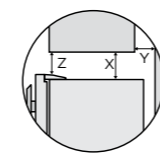


WHE7670SA, WHE6200SA

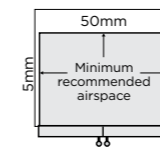


When positioned in a corner area, clearance of at least 350mm on the hinge side will allow the doors to open enough to enable the removal of bins and shelves.

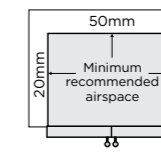
Minimum recommended Airspaces These are the recommended minimum clearances.



WHE7670SA, WHE5200SA, WHE5200WA, WHE6200SA
Please note:
If gap (Y) is not minimum of 100mm, then gap (X) increases from 50mm to 90mm min.
WHE5260SA-D
Please note:
If gap (Y) is not minimum of 100mm, then gap (Z) increases from 10mm to 45mm min.



WHE5200SA, WHE5200WA
Please note:
If 5mm side clearance, the fridge cabinet must sit at least 5mm proud of kitchen cabinetry for doors to open.
A 5mm side clearance requires 50mm rear clearance.



WHE7670SA, WHE6200SA
Please note:
If 5mm side clearance, the fridge cabinet must sit at least 20mm proud of kitchen cabinetry for doors to open.
A 20mm side clearance requires 50mm rear clearance and 50-90mm clearance above.

| Model | Max door height (H) | Cabinet height (H1) | Total height (H2) | Door width (W) | Cabinet width (W1) | Total depth (D) | Cabinet depth (D1) | Depth door open (D2) |
|----------------------|---------------------|---------------------|-------------------|----------------|--------------------|-----------------|--------------------|----------------------|
| WRM4300SB, WRM4300WB | 1714 | 1702 | 1720 | 703 | 690 | 647 | 550 | 1299 |
| WRM3700PB, WRM3700WB | 1714 | 1702 | 1720 | 608 | 595 | 647 | 550 | 1204 |
| WRM2400WD | 1374 | 1393 | 1543 | 550 | 550 | 555 | 490 | 1077 |
| WFM3600SB, WFM3600WB | 1714 | 1702 | 1720 | 703 | 690 | 647 | 550 | 1299 |
| WFM3000PB, WFM3000WB | 1714 | 1702 | 1720 | 608 | 595 | 647 | 550 | 1204 |
| WFM1800WD | 1374 | 1393 | 1453 | 550 | 550 | 555 | 490 | 1077 |
| WFM1810WC | 1374 | 1393 | 1453 | 550 | 550 | 555 | 490 | 1077 |

† Refer to the product information on the back page of this brochure. *For those single door models with telescopic extension slide-out bins or crispers situated with the door opening against the wall, clearance requirement increases from 350mm to 450mm.

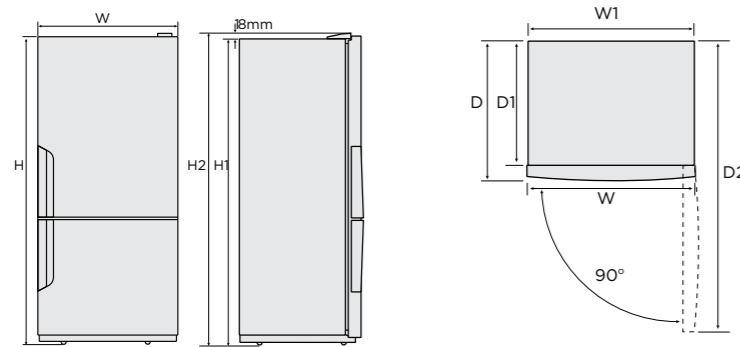
For information on installation of integration kits for top mounts, bottom mounts and pigeon pair models, please refer to westinghouse.com.au

| Model | Max door height (H) | Cabinet height (H1) | Total height (H2) | Door width (W) | Cabinet width | Total depth | Cabinet depth | Depth door open |
|----------------------|---------------------|---------------------|-------------------|----------------|---------------|-------------|---------------|-----------------|
| WHE5200SA, WHE5200WA | 1725 | 1705 | 1725 | 796 | 790 | 759.5 | 641 | 1054.5 |
| WHE6200SA | 1810 | 1758 | 1810 | 908 | 905 | 742 | 600 | 1205 |
| WHE7670SA | 1776 | 1745 | 1778 | 910 | 907 | 913 | 759 | 1377 |

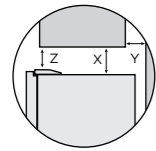
† Refer to the product information on the back page of this brochure

Large bottom mounts†

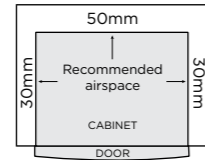
WBE5304SA, WBE5300WA, WBE5300SA,
WBE4504SA, WBE4500SA, WBE4500WA



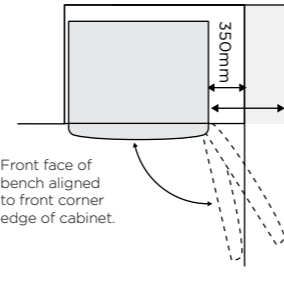
Minimum recommended airspaces These are the recommended minimum clearances.



If gap (Y) is not minimum 100mm, then gap (X) increases from 50mm to 90mm min.



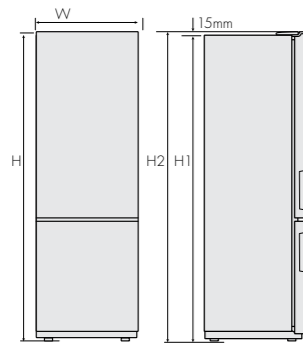
Please note: Doors are designed to sit proud of cabinetry (not flush).



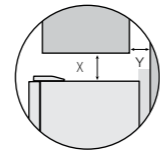
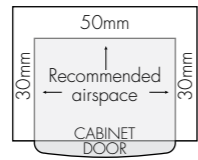
When positioned in a corner area, clearance of at least 350mm on the hinge side will allow the doors to open enough to enable the removal of the crisper bins and shelves. This required clearance increases to 550mm for those models with telescopic extension slide-out bins.

Compact bottom mounts†

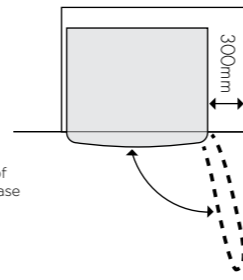
WBB3700PF, WBB3700WF, WBB3400PF, WBB3400WF



Minimum recommended airspaces These are the recommended minimum clearances.



If gap (Y) is not minimum of 100mm, then gap (X) increase from 50mm to 90mm min.



When positioned in a corner, the clearance must be at least 300mm on the hinge side to allow the door to open smoothly so that bins and shelves can be removed easily. For easy removal of Crisper it is recommended to remove bottle door bin first if minimum clearance in the corner on hinge side is less than 350mm.

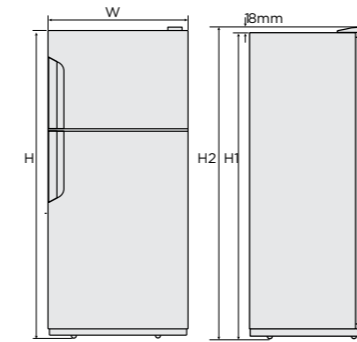
| Model | Max door height (H) | Cabinet height (H1) | Total height (H2) | Door width (W) | Cabinet width (W1) | Total depth (D) | Cabinet depth (D1) | Depth door open (D2) |
|----------------------|---------------------|---------------------|-------------------|----------------|--------------------|-----------------|--------------------|----------------------|
| WBE5300SA, WBE5300WA | 1725 | 1705 | 1725 | 796 | 790 | 727 | 641 | 1457 |
| WBE5304SA | 1725 | 1705 | 1725 | 796 | 790 | 759.5 | 641 | 1457 |
| WBE4500SA, WBE4500WA | 1725 | 1705 | 1725 | 699 | 693 | 727 | 641 | 1360 |
| WBE4504SA | 1725 | 1705 | 1725 | 699 | 693 | 759.5 | 641 | 1360 |
| WBB3700PF, WBB3700WF | 1756 | 1741 | 1756 | 598 | 595 | 661 | 586 | 1199 |
| WBB3400PF, WBB3400WF | 1646 | 1631 | 1646 | 598 | 595 | 661 | 586 | 1199 |

† Refer to the product information on the back page of this brochure.

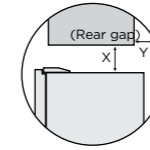
For information on installation of integration kits for top mounts, bottom mounts and pigeon pair models, please refer to westinghouse.com.au

Large top mounts†

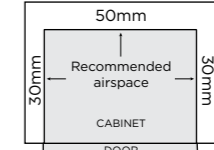
WTB4600SA, WTB4600WA, WTB4604SA,
WTB5400SA, WTB5400WA, WTB5404SA



Minimum recommended airspaces These are the recommended minimum clearances.

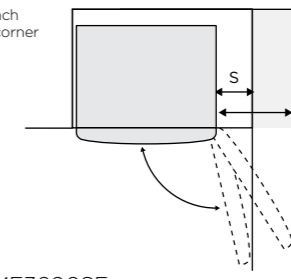


If gap (Y) is not minimum of 100mm, then gap (X) increase from 50mm to 90mm min.



Please note: Doors are designed to sit proud of cabinetry (not flush).

Front face of bench aligned to front corner edge of cabinet.

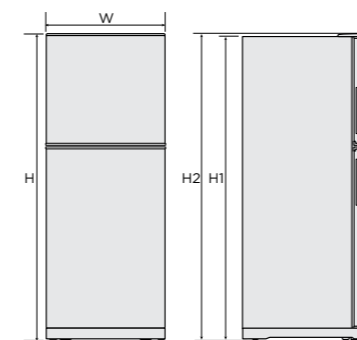


WTE & WTM models
When positioned in a corner area, clearance (S) of at least 350mm on the hinge side will allow the doors to open enough to enable the removal of the crisper bins and shelves. This required clearance increases to 550mm for those models with telescopic extension slide-out bins.

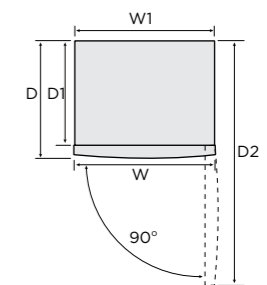
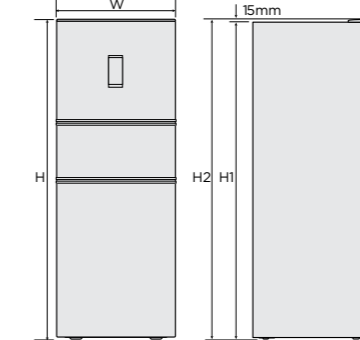
WTB models
When positioned in a corner, the clearance (S) must be at least 300mm on the hinge side to allow the door to open smoothly so that bins and shelves can be removed easily.

Compact top mounts†

WTB3700PF, WTB3700WF,
WTB3400PF, WTB3400WF,
WTB2800PF, WTB2800WF,
WTB2500PF, WTB2500WF,
WTB2300PF, WTB2300WF,
WTM2000WC, WTM1800WC



WME3600SF



| Model | Max door height (H) | Cabinet height (H1) | Total height (H2) | Door width (W) | Cabinet width (W1) | Total depth (D) | Cabinet depth (D1) | Depth door open (D2) |
|----------------------|---------------------|---------------------|-------------------|----------------|--------------------|-----------------|--------------------|----------------------|
| WTB4600SA, WTB4600WA | 1725 | 1705 | 1725 | 699 | 693 | 727 | 641 | 1360 |
| WTB4604SA | 1725 | 1705 | 1725 | 699 | 693 | 759.5 | 641 | 1360 |
| WTB5400SA, WTB5400WA | 1725 | 1705 | 1725 | 796 | 790 | 727 | 641 | 1457 |
| WTB5404SA | 1725 | 1705 | 1725 | 796 | 790 | 759.5 | 641 | 1457 |
| WTM1800WC | 1400 | 1400 | 1400 | 494 | 490 | 580 | 490 | 1029 |
| WTM2000WC | 1476 | 1472 | 1476 | 524 | 520 | 595 | 500 | 1070 |
| WTB2300PF, WTB2300WF | 1440 | 1425 | 1440 | 540 | 540 | 615 | 540 | 1108 |
| WTB2500PF, WTB2500WF | 1505 | 1490 | 1505 | 540 | 540 | 615 | 540 | 1108 |
| WTB2800PF, WTB2800WF | 1605 | 1590 | 1605 | 540 | 540 | 615 | 540 | 1108 |
| WTB3400PF, WTB3400WF | 1645 | 1630 | 1645 | 598 | 595 | 650 | 575 | 1199 |
| WTB3700PF, WTB3700WF | 1755 | 1740 | 1755 | 598 | 595 | 650 | 575 | 1199 |

† Refer to the product information on the back page of this brochure.

For information on installation of integration kits for top mounts, bottom mounts and pigeon pair models, please refer to westinghouse.com.au



For more information on all Westinghouse appliances, or for dimension and installation information, call into your retailer, phone or email our customer care team or visit our website:

phone: 1300 363 640
fax: 1800 350 067
email: customercare@electrolux.com.au
web: westinghouse.com.au

Westinghouse. We are part of the Electrolux family.
Share more of our thinking at electrolux.com.au



We invite you to follow Westinghouse appliances and get involved in the conversation.



Top service

Electrolux Top Service encompasses the after sales service including Delivery, Home Service and Spare Parts.

Spare Parts and Accessories:

Westinghouse offers an extensive range of genuine spare parts and accessories to purchase across our entire range of products. With purchasing options to suit your shopping style, you can be sure we are always thinking of you. To view and purchase genuine spare parts and accessories online visit shop.westinghouse.com.au

To discuss and purchase genuine spare parts and accessories with one of our friendly staff call 1300 363 640. To find your nearest Electrolux spare parts retailer call 13 13 50.

Warranty

Electrolux Home Products Pty Ltd warrants that for domestic application, the Westinghouse Fridges featured in this brochure are free from defects in materials and workmanship for a period of 24 months from the date of first purchase, subject to the conditions set out in the warranty card accompanying the product when purchased and the Australian Consumer Law. They are not suitable for applications where special health and industry requirements and regulations apply. An additional 36 month warranty is also provided for domestic applications only to cover replacement of parts only for the sealed refrigeration system.

[†] Product information

The descriptors and illustrations in this publication apply to the specific products and models described as at the date of issue. Under our policy of continuous product development, product specifications may change without notice. Prospective purchasers should therefore check with their retailer to ensure this publication correctly describes the products that are being offered for sale. All information supplied is to be used for general reference purposes only and is on the understanding that Electrolux Home Products Pty Ltd will not be liable for any loss, liability or damage of whatever kind arising as a result of reliance on such information. Colours of products illustrated are as close as printing limitations allow. Electrolux will at all times comply with its obligations pursuant to law including Competition and Consumer Act 2010, Australian Consumer Law and Regulations.

Chill stream[®] is a registered trademark of Aktiebolaget Electrolux.

FlexSpace[™], FlexStor[™], FamilySafe[™], FlexFresh[™], Aqua Direct[™], Spillsafe[™] and Storesafe[™] are used by Electrolux Home Products Pty Ltd.

 and WESTINGHOUSE are trademarks of Westinghouse Electric Corporation. Used under license. All Rights Reserved.

© 2015 Electrolux Home Products Pty Ltd. ABN 51 004 762 341 WFRIDGE_May15