



Register your new Bosch now:  
[www.bosch-home.com/welcome](http://www.bosch-home.com/welcome)














## Extractor hood



**BOSCH**

[en] Instructions for installation  
and use

## Table of contents

INSTRUCTION MANUAL.....	2
 Intended use.....	2
 Important safety information.....	3
 Environmental protection .....	5
 Operating modes .....	5
 Operating the appliance.....	6
 Cleaning and maintenance .....	7
 Trouble shooting.....	8
 Customer service .....	9
INSTALLATION INSTRUCTIONS.....	10
 Important safety information.....	11
 General information.....	12
 Installation.....	14

---

## INSTRUCTION MANUAL

---

Additional information on products, accessories, replacement parts and services can be found at [www.bosch-home.com](http://www.bosch-home.com) and in the online shop [www.bosch-eshop.com](http://www.bosch-eshop.com)

---

### Intended use

Read these instructions carefully. Only then will you be able to operate your appliance safely and correctly. Retain the instruction manual and installation instructions for future use or for subsequent owners.

The appliance can only be used safely if it is correctly installed according to the safety instructions. The installer is responsible for ensuring that the appliance works perfectly at its installation location.

This appliance is intended for domestic use and the household environment only. The appliance is not intended for use outside. Do not leave the appliance unattended during operation. The manufacturer is not liable for damage which is caused by improper use or incorrect operation.

This appliance is intended for use up to a maximum height of 2000 metres above sea level.

This appliance may be used by children over the age of 8 years old and by persons with reduced physical, sensory or mental capabilities or by persons with a lack of experience or knowledge if they are supervised or are instructed by a person responsible for their safety how to use the appliance safely and have understood the associated hazards.

Children must not play with, on, or around the appliance. Children must not clean the appliance or carry out general maintenance unless they are at least 15 years old and are being supervised.

Keep children below the age of 8 years old at a safe distance from the appliance and power cable.

Check the appliance for damage after unpacking it. Do not connect the appliance if it has been damaged in transport.

This appliance is not intended for operation with an external clock timer or a remote control.

## Important safety information

### Warning

#### **Danger of suffocation!**

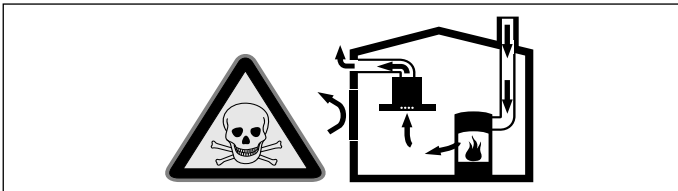
Packaging material is dangerous to children. Never allow children to play with packaging material.

### Warning

#### **Danger of death!**

Risk of poisoning from flue gases that are drawn back in.

Always ensure adequate fresh air in the room if the appliance is being operated in exhaust air mode at the same time as room air-dependent heat-producing appliance is being operated.

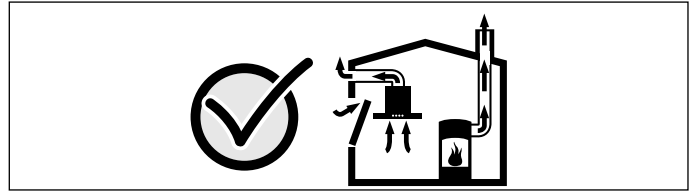


Room air-dependent heat-producing appliances (e.g. gas, oil, wood or coal-operated heaters, continuous flow heaters or water heaters) obtain combustion air from the room in which they are installed and discharge the exhaust gases into the open air through an exhaust gas system (e.g. a chimney).

In combination with an activated vapour extractor hood, room air is extracted from the kitchen and neighbouring rooms - a partial vacuum is produced if not enough fresh air is supplied. Toxic gases from the chimney or the extraction shaft are sucked back into the living space.

- Adequate incoming air must therefore always be ensured.
- An incoming/exhaust air wall box alone will not ensure compliance with the limit.

Safe operation is possible only when the partial vacuum in the place where the heat-producing appliance is installed does not exceed 4 Pa (0.04 mbar). This can be achieved when the air needed for combustion is able to enter through openings that cannot be sealed, for example in doors, windows, incoming/exhaust air wall boxes or by other technical means.



In any case, consult your responsible Master Chimney Sweep. He is able to assess the house's entire ventilation setup and will suggest the suitable ventilation measures to you.

Unrestricted operation is possible if the vapour extractor hood is operated exclusively in the circulating-air mode.

### Warning

#### **Risk of fire!**

- Grease deposits in the grease filter may catch fire.  
**Clean the grease filter at least every 2 months.**  
Never operate the appliance without the grease filter.
- Grease deposits in the grease filter may catch fire. Never work with naked flames close to the appliance (e.g. flambéing). Do not install the appliance near a heat-producing appliance for solid fuel (e.g. wood or coal) unless a closed, non-removable cover is available. There must be no flying sparks.
- Hot oil and fat can ignite very quickly. Never leave hot fat or oil unattended. Never use water to put out burning oil or fat. Switch off the hotplate. Extinguish flames carefully using a lid, fire blanket or something similar.
- When gas burners are in operation without any cookware placed on them, they can build up a lot of heat. A ventilation appliance installed above the cooker may become damaged or catch fire. Only operate the gas burners with cookware on them.
- Operating several gas burners at the same time gives rise to a great deal of heat. A ventilation appliance installed above the cooker may become damaged or catch fire. Never operate two gas burners simultaneously on the highest flame for longer than 15 minutes. One large burner of more than 5 kW (wok) is equivalent to the power of two gas burners.

**⚠ Warning**

**Risk of burns!**

The accessible parts become very hot when in operation. Never touch hot parts. Keep children at a safe distance.

**⚠ Warning**

**Risk of injury!**

- Components inside the appliance may have sharp edges. Wear protective gloves.
- Items placed on the appliance may fall down. Do not place any objects on the appliance.
- The light emitted by LED lights is very dazzling, and can damage the eyes (risk group 1). Do not look directly into the switched on LED lights for longer than 100 seconds.

**⚠ Warning**

**Risk of electric shock!**

- A defective appliance may cause electric shock. Never switch on a defective appliance. Unplug the appliance from the mains or switch off the circuit breaker in the fuse box. Contact the after-sales service.
- Incorrect repairs are dangerous. Repairs may only be carried out and damaged power cables replaced by one of our trained after-sales technicians. If the appliance is defective, unplug the appliance from the mains or switch off the circuit breaker in the fuse box. Contact the after-sales service.
- Do not use any high-pressure cleaners or steam cleaners, which can result in an electric shock.

**Causes of damage**

**Caution!**

Risk of damage due to corrosion. Always switch on the appliance while cooking to avoid condensation. Condensate can produce corrosion damage.

Always replace faulty bulbs to prevent the remaining bulbs from overloading.

Risk of damage due to ingress of humidity into the electronic circuitry. Never clean operator controls with a wet cloth.

Surface damage due to incorrect cleaning. Clean stainless steel surfaces in the direction of the grain only. Do not use any stainless steel cleaners for operator controls.

Surface damage due to strong or abrasive cleaning agents. Never use strong and abrasive cleaning agents.

Risk of damage from returning condensate. Install the exhaust duct in such a way that it falls away from the appliance slightly (1° slope).

## Environmental protection

Your new appliance is particularly energy-efficient. Here you can find tips on how to save even more energy when using the appliance, and how to dispose of your appliance properly.

### Saving energy

- During cooking, ensure that there is a sufficient supply of air so that the extractor hood can work efficiently and with a low level of operating noise.
- Adjust the fan speed to the intensity of the cooking fumes. Only use intensive mode where this is required. A lower fan speed means that less energy is consumed.
- If there are intensive cooking fumes, select a higher fan speed in good time. If cooking fumes have already spread in the kitchen, the extractor hood must be operated for longer.
- Switch off the extractor hood if you no longer require it.
- Switch off the lighting if you no longer require it.
- Clean and, if required, replace the filter at regular intervals in order to increase the effectiveness of the ventilation system and to prevent the risk of fire.

### Environmentally-friendly disposal

Dispose of packaging in an environmentally-friendly manner.



This appliance is labelled in accordance with European Directive 2012/19/EU concerning used electrical and electronic appliances (waste electrical and electronic equipment - WEEE). The guideline determines the framework for the return and recycling of used appliances as applicable throughout the EU.

## Operating modes

### Exhaust air mode



The air which is drawn in is cleaned by the grease filters and conveyed to the exterior by a pipe system.

**Note:** The exhaust air must not be conveyed into a functioning smoke or exhaust gas flue or into a shaft which is used to ventilate installation rooms which contain heat-producing appliances.

- Before conveying the exhaust air into a non-functioning smoke or exhaust gas flue, obtain the consent of the heating engineer responsible.
- If the exhaust air is conveyed through the outer wall, a telescopic wall box should be used.

### Air recirculation



The air which is drawn in is cleaned by the grease filters and an activated carbon filter, and is conveyed back into the kitchen.

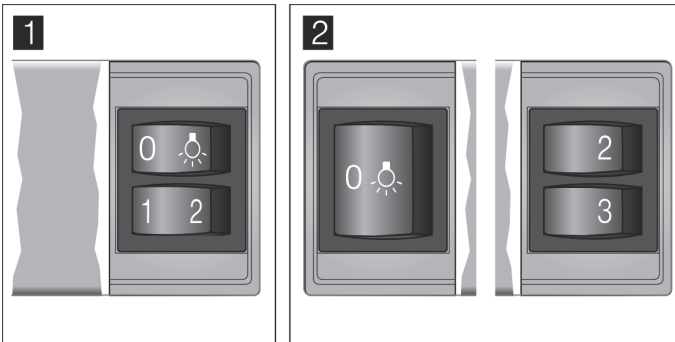
**Note:** To bind odours in air recirculation mode, you must install an activated carbon filter. The different options for operating the appliance in air recirculation mode can be found in the brochure. Alternatively, ask your dealer. The required accessories are available from specialist retailers, from customer service or from the Online Shop.


## Operating the appliance

These instructions apply to several appliance variants. It is possible that individual features are described which do not apply to your appliance.

**Note:** Switch on the extractor hood when you start cooking and switch it off again several minutes after you have finished cooking. This is the most effective way of removing the kitchen fumes.

### Control panel model 1 and 2



Explanation	
0, 	Light on/off
1	Fan speed 1
2	Fan speed 2
3	Fan speed 3

### Setting the fan

#### Switching on

Pull out the filter pull-out. The fan starts at the selected level.

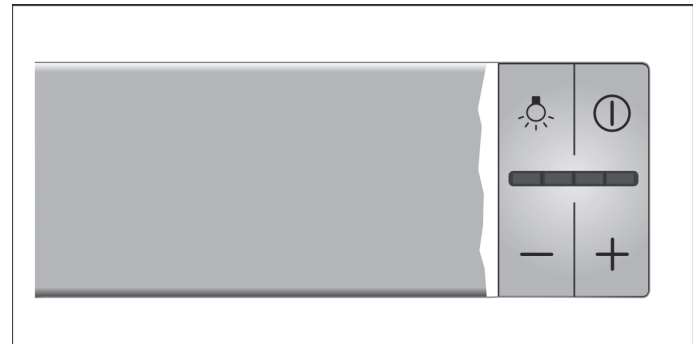
Press buttons 1, 2 or 3 in order to change the fan strength.


#### Switching off

Slide the filter pull-out in as far as the limit stop.

**Note:** When you pull out the filter pull-out again, the fan starts up at the fan speed that was last selected.

### Control panel model 3



Explanation	
	Light on/off
①	Fan on/off
-	Reduces the fan speed
+	Increases the fan speeds/intensive setting

### Setting the fan

#### Switching on

Pull out the filter pull-out and press the ① button. The fan starts at setting 2.

Press the + or - button to change the fan strength.

#### Switching off

Press the ① button. Slide the filter pull-out in.

### Intensive setting

You can use the intensive setting if there is a large build-up of odours and fumes/vapours.

Press the + button until all of the LEDs in the display light up. The intensive setting is activated.

After approx. six minutes, the electronics automatically reduce the fan to a lower setting. If you want to end the intensive setting before the preset time expires, press the - button until the required fan setting is reached.

The run time is limited. The fan is then automatically reduced to a lower fan setting. You can switch back manually at any time.

### Fan run-on time

If you slide in the filter pull-out, the run-on time will be activated for as long as the extractor hood is operating.

After approx. 10 minutes, the fan switches off automatically.

### Lighting

The lighting can be switched on and off independently of the ventilation.

Press the  button.

## Cleaning and maintenance

### Warning

#### Risk of burns!

The appliance will become hot during operation, especially near the bulbs. Allow the appliance to cool down before cleaning.

### Warning

#### Risk of electric shock!

Penetrating moisture may result in an electric shock. Clean the appliance using a damp cloth only. Before cleaning, pull out the mains plug or switch off the circuit breaker in the fuse box.

### Warning

#### Risk of electric shock!

Do not use any high-pressure cleaners or steam cleaners, which can result in an electric shock.

### Warning

#### Risk of injury!

Components inside the appliance may have sharp edges. Wear protective gloves.

## Cleaning agents

To ensure that the different surfaces are not damaged by using the wrong cleaning agent, observe the information in the table. Do not use any of the following:

- Harsh or abrasive cleaning agents,
- Cleaning agents with a high alcohol content,
- Hard scouring pads or cleaning sponges,
- High-pressure cleaners or steam cleaners.

Wash new sponge cloths thoroughly before use.

Follow all instructions and warnings included with the cleaning agents.

Area	Cleaning agent
Stainless steel	Hot soapy water: Clean with a dish cloth and then dry with a soft cloth.  Clean stainless steel surfaces in the grind direction only.  Special stainless steel cleaning products are available from our after-sales service or from specialist retailers. Apply a very thin layer of the cleaning product with a soft cloth.
Painted surfaces	Hot soapy water: Clean using a damp dish cloth and dry with a soft cloth/towel.  Do not use any stainless steel cleaners.
Aluminium and plastic	Glass cleaner: Clean with a soft cloth.

Area	Cleaning agent
Glass	Glass cleaner: Clean with a soft cloth. Do not use a glass scraper.
Controls	Hot soapy water: Clean using a damp dish cloth and dry with a soft cloth/towel.  Risk of electric shock caused by penetrating moisture.  Risk of damage to the electronics from penetrating moisture. Never clean operating controls with a wet cloth.  Do not use any stainless steel cleaners.

## Cleaning the metal mesh grease filters

These instructions apply to several appliance variants. It is possible that individual features are described which do not apply to your appliance.

### Warning

#### Risk of fire!

Grease deposits in the grease filter may catch fire.

#### Clean the grease filter at least every 2 months.

Never operate the appliance without the grease filter.

#### Notes

- Do not use any aggressive, acidic or alkaline cleaning agents.
- When cleaning the metal mesh grease filters, also clean the holder for the metal mesh grease filters in the appliance using a damp cloth.
- The metal mesh grease filters can be cleaned in the dishwasher or by hand.

#### By hand:

**Note:** You can use a special grease solvent for stubborn dirt. It can be ordered via the Online Shop.

- Soak the metal mesh grease filters in a hot soapy solution.
- Clean the filters with a brush and then rinse them thoroughly.
- Leave the metal mesh grease filters to drain.

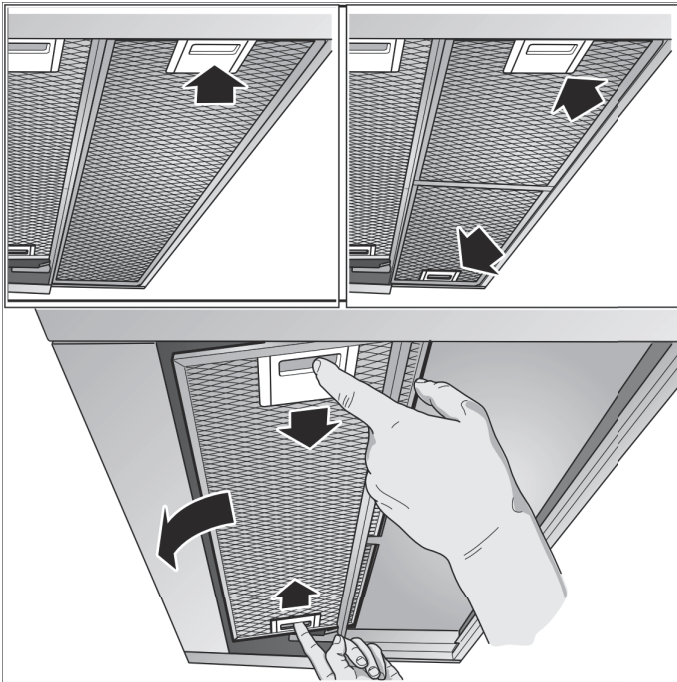
#### In the dishwasher:

**Note:** If the metal mesh grease filters are cleaned in the dishwasher, slight discolouration may occur. This has no effect on the function of the metal mesh grease filters.

- Do not clean heavily soiled metal mesh grease filters together with utensils.
- Place the metal mesh grease filters loosely in the dishwasher. The metal mesh grease filters must not be wedged in.

## Removing metal grease filter

1. Open the lock and fold down the metal grease filter. While doing this, place your other hand under the metal grease filter.
2. Take the metal grease filter out of the holder.

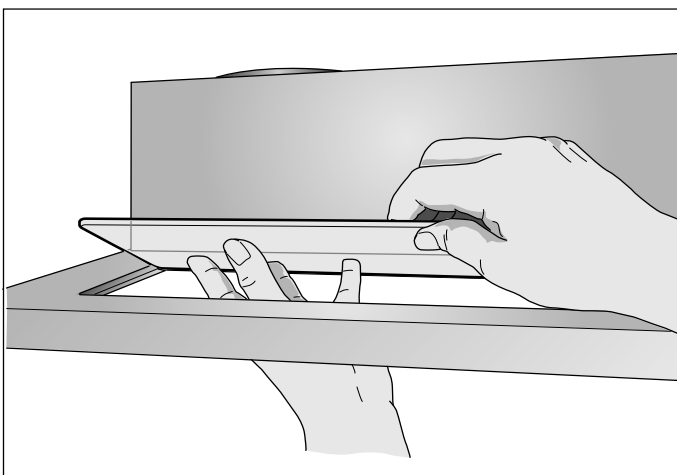


### Notes

- Fat may accumulate in the bottom of the metal grease filter.
  - Hold the metal grease filter level to prevent grease from dripping out.
3. Clean the metal grease filter.

On appliances with a glass plate in the filter pull-out:

- The glass plate can be removed easily and can be cleaned in the dishwasher.
- To remove it, carefully lift the glass plate.



## Installing the metal mesh grease filter

1. Insert the metal mesh grease filter. While doing this, place the other hand under the metal mesh grease filter.
2. Fold the metal mesh grease filter upwards, locking it in place.

## ? Trouble shooting

Malfunctions often have simple explanations. Please read the following notes before calling the after-sales service.

### ⚠ Warning

#### Risk of electric shock!

Incorrect repairs are dangerous. Repairs may only be carried out and damaged power cables replaced by one of our trained after-sales technicians. If the appliance is defective, unplug the appliance from the mains or switch off the circuit breaker in the fuse box. Contact the after-sales service.

### Malfunction table

Problem	Possible cause	Solution
The appliance does not work	The plug is not plugged in.	Connect the appliance to the electricity supply
	Power cut	Check whether other kitchen appliances are working
	Faulty fuse	Check in the fuse box to make sure that the fuse for the appliance is OK
The lighting does not work.	The bulbs are faulty.	For information on changing the bulbs, see the "Replacing Bulbs" section.

## Replacing bulbs

These instructions apply to several appliance variants. It is possible that individual features are described which do not apply to your appliance.

### ⚠ Warning

#### Risk of burns!

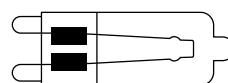
Halogen bulbs become very hot when switched on. There is still a risk of burning for some time after they have been switched off. Allow the halogen bulbs to cool down before replacing them.

### ⚠ Warning

#### Risk of electric shock!

When changing the bulbs, the bulb socket contacts are live. Before changing the bulb, unplug the appliance from the mains or switch off the circuit breaker in the fuse box.

**Important!** Only use bulbs of the same type and wattage.



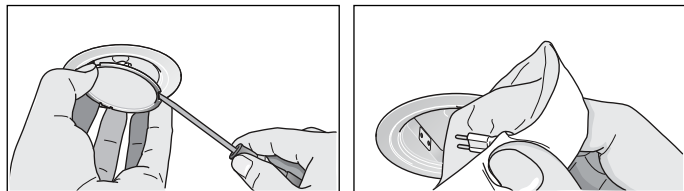
HSGST/C/UB-20-230-G9



## Replacing halogen bulbs

**Note:** When inserting halogen bulbs, do not touch the glass tube. Use a clean cloth to insert the halogen bulbs.

1. Carefully remove the bulb ring using a suitable tool.
2. Pull out the bulb and replace it with a bulb of the same type.



3. Insert the bulb cover.
4. Insert the mains plug or switch on the fuse again.

## LED lights

Defective LED lights may be replaced by the manufacturer, their customer service or a qualified technician (electrician) only.

### Warning


#### Risk of injury!

The light emitted by LED lights is very dazzling, and can damage the eyes (risk group 1). Do not look directly into the switched on LED lights for longer than 100 seconds.

## Customer service

When calling us, please give the product number (E no.) and the production number (FD no.) so that we can provide you with the correct advice. The rating plate with these numbers can be found inside the appliance (remove the metal mesh grease filter to gain access).

You can make a note of the numbers of your appliance and the telephone number of the after-sales service in the space below to save time should it be required.

E no.	FD no.
<b>After-sales service</b> 	

Please be aware that a visit by an after-sales engineer will be charged if a problem turns out to be the result of operator error, even during the warranty period.

Please find the contact data of all countries in the enclosed customer service list.

### To book an engineer visit and product advice

<b>GB</b>	0344 892 8979 Calls charged at local or mobile rate.
<b>IE</b>	01450 2655 0.03 € per minute at peak. Off peak 0.0088 € per minute.

Rely on the professionalism of the manufacturer. You can therefore be sure that the repair is carried out by trained service technicians who carry original spare parts for your appliances.

## Accessories

(not included in the scope of delivery)

**Note:** These instructions apply to several appliance models. It may be the case that an optional accessory that is listed does not apply for your appliance.

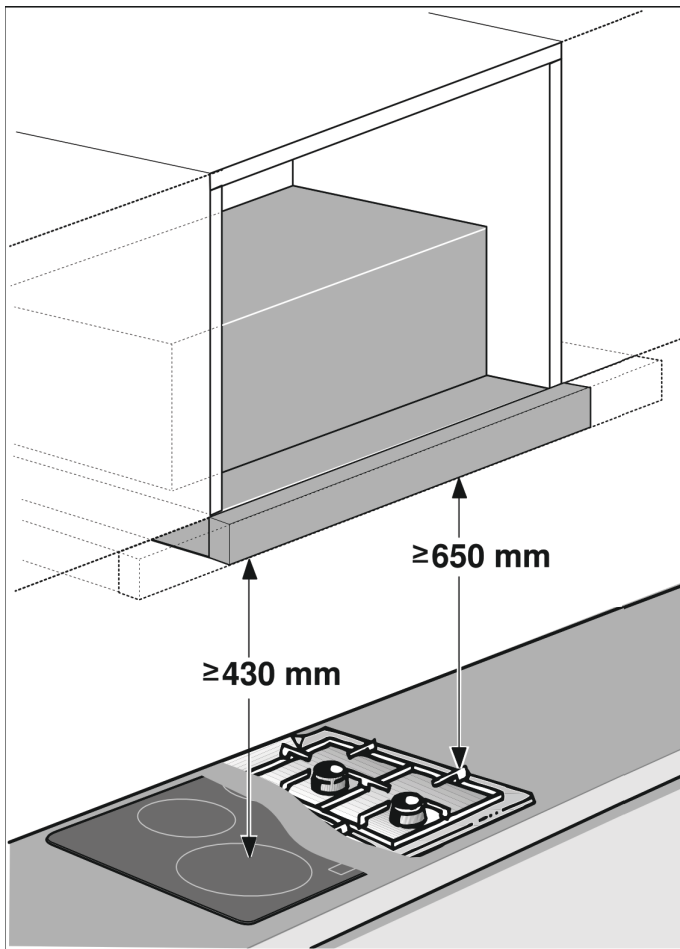
**Note:** Observe the installation instructions in the accessory.

Accessories	Order number
<b>Basic equipment:</b>	
Starter set for circulating-air mode	DSZ4545
Throw-away filter for starter set	DSZ4551
<b>Basic equipment:</b>	
CleanAir air recirculation module	DSZ4680
Throw-away filter for CleanAir recirculation module	DSZ4681
<b>Handle strip: 60 cm:</b>	
Stainless steel	DSZ4655
White	DSZ4652
Black	DSZ4656
<b>Handle strip: 90 cm:</b>	
Stainless steel	DSZ4955
White	DSZ4952
Black	DSZ4956

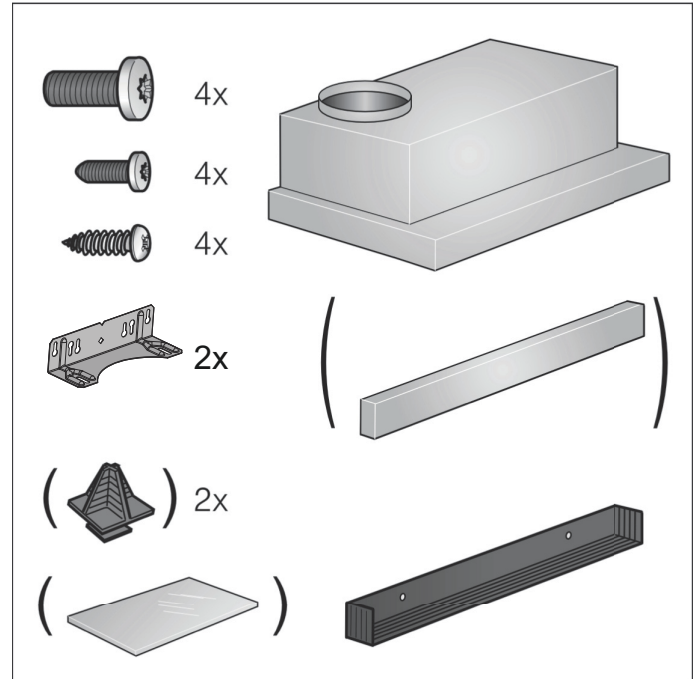
# INSTALLATION INSTRUCTIONS

These instructions apply to several appliance variants. It is possible that individual features are described which do not apply to your appliance.

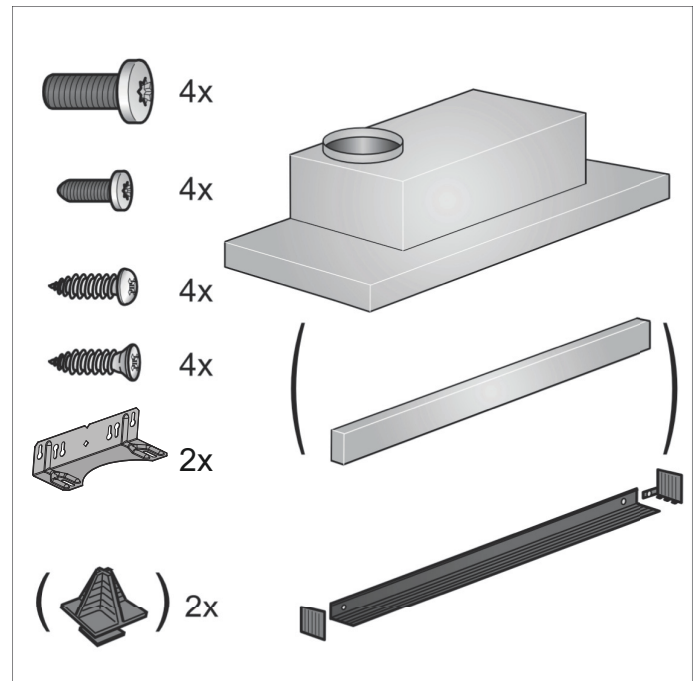
- This appliance is installed in an upper cabinet.
- Follow the enclosed installation instructions for additional special accessories (e.g. for circulating-air mode).
- The surfaces of the appliance are sensitive. Avoid damaging them during installation.



## Appliance width 60 cm:



## Appliance width, 90 cm:



## Important safety information

Read these instructions carefully. Only then will you be able to operate your appliance safely and correctly. Retain the instruction manual and installation instructions for future use or for subsequent owners.

The appliance can only be used safely if it is correctly installed according to the safety instructions. The installer is responsible for ensuring that the appliance works perfectly at its installation location.

The width of the extractor hood must correspond at least with the width of the hob.

For the installation, observe the currently valid building regulations and the regulations of the local electricity and gas suppliers.

When conveying the exhaust air, official and legal regulations (e.g. state building regulations) must be followed.

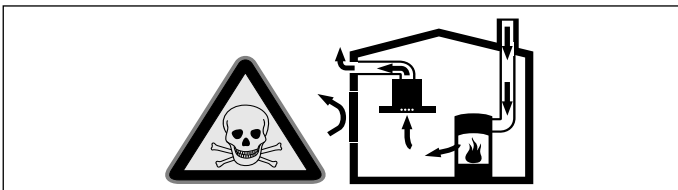
### **Warning** **Risk of death!**

Risk of poisoning from flue gases that are drawn back in. The exhaust air must not be conveyed into a functioning smoke or exhaust gas flue or into a shaft which is used to ventilate installation rooms that contain heating appliances. If the exhaust air is to be conveyed into a non-functioning smoke or exhaust gas flue, you must obtain the consent of the heating engineer responsible.

### **Warning** **Danger of death!**

Risk of poisoning from flue gases that are drawn back in.

Always ensure adequate fresh air in the room if the appliance is being operated in exhaust air mode at the same time as room air-dependent heat-producing appliance is being operated.

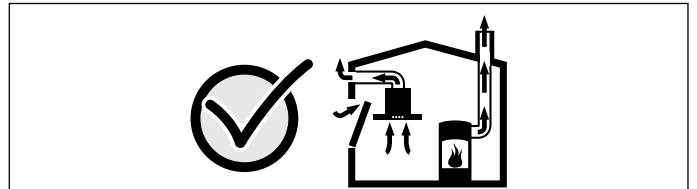


Room air-dependent heat-producing appliances (e.g. gas, oil, wood or coal-operated heaters, continuous flow heaters or water heaters) obtain combustion air from the room in which they are installed and discharge the exhaust gases into the open air through an exhaust gas system (e.g. a chimney).

In combination with an activated vapour extractor hood, room air is extracted from the kitchen and neighbouring rooms - a partial vacuum is produced if not enough fresh air is supplied. Toxic gases from the chimney or the extraction shaft are sucked back into the living space.

- Adequate incoming air must therefore always be ensured.
- An incoming/exhaust air wall box alone will not ensure compliance with the limit.

Safe operation is possible only when the partial vacuum in the place where the heat-producing appliance is installed does not exceed 4 Pa (0.04 mbar). This can be achieved when the air needed for combustion is able to enter through openings that cannot be sealed, for example in doors, windows, incoming/exhaust air wall boxes or by other technical means.



In any case, consult your responsible Master Chimney Sweep. He is able to assess the house's entire ventilation setup and will suggest the suitable ventilation measures to you.

Unrestricted operation is possible if the vapour extractor hood is operated exclusively in the circulating-air mode.

### **Warning** **Danger of death!**

Risk of poisoning from flue gases that are drawn back in. If installing a ventilation system in a room with a heat-producing appliance connected to a chimney/flue, the electricity supply to the hood must be equipped with a suitable safety switch.

**⚠ Warning**

**Risk of fire!**

Grease deposits in the grease filter may catch fire. The specified safety distances must be observed in order to prevent an accumulation of heat. Observe the specifications for your cooking appliance. If gas and electric hobs are operated together, the largest specified distance applies.

Only one side of the appliance may be installed directly next to a high-sided unit or a wall. The distance between the appliance and wall or high-sided unit must be at least 50 mm.

**⚠ Warning**

**Risk of injury!**

- Components inside the appliance may have sharp edges. Wear protective gloves.
- The appliance may fall down if it has not been properly fastened in place. All fastening components must be fixed firmly and securely.
- The appliance is heavy. To move the appliance, 2 people are required. Use only suitable tools and equipment.

**⚠ Warning**

**Risk of electric shock!**

Components inside the appliance may have sharp edges. These may damage the connecting cable. Do not kink or pinch the connecting cable during installation.

**⚠ Warning**

**Risk of electric shock!**

It must always be possible to disconnect the appliance from the electricity supply. The appliance must only be connected to a protective contact socket that has been correctly installed. If the plug is no longer accessible once the appliance has been installed, or a fixed connection is required, the installation must have an all-pole isolating switch with a contact gap of at least 3 mm. Only an electrician may install the fixed connection. We recommend installing a residual-current circuit breaker (RCCB) in the appliance's power supply circuit.

**⚠ Warning**

**Danger of suffocation!**

Packaging material is dangerous to children. Never allow children to play with packaging material.



## General information

### Exhaust air mode

**⚠ Warning**

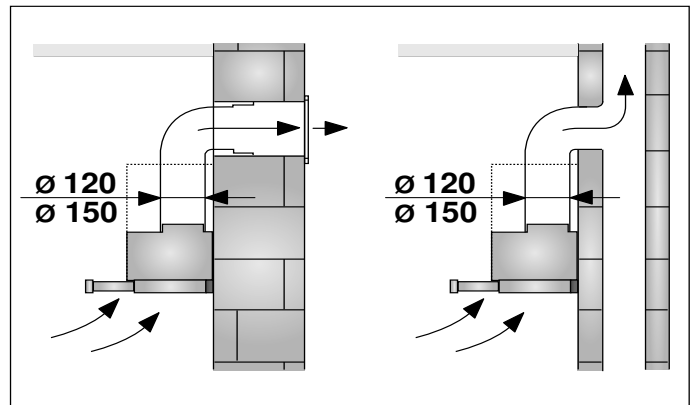
**Risk of death!**

Risk of poisoning from flue gases that are drawn back in. The exhaust air must not be conveyed into a functioning smoke or exhaust gas flue or into a shaft which is used to ventilate installation rooms that contain heating appliances. If the exhaust air is to be conveyed into a non-functioning smoke or exhaust gas flue, you must obtain the consent of the heating engineer responsible.

If the exhaust air is conveyed through the outer wall, a telescopic wall box should be used.

### Exhaust duct

**Note:** The appliance manufacturer does not provide any warranty for faults attributable to the pipe section.



- The appliance achieves its optimum performance by means of a short, straight exhaust air pipe and as large a pipe diameter as possible.
- As a result of long, rough exhaust air pipes, many pipe bends or pipe diameters that are smaller than 150 mm, the optimum extraction performance is not achieved and fan noise is increased.
- The pipes and hoses for laying the exhaust air line must consist of non-combustible material.

#### Round pipes

An inner diameter of 150 mm, but at least 120 mm, is recommended.

#### Flat ducts

The inner cross-section must correspond to the diameter of the round pipes.

**150 mm diameter, approx. 177 cm<sup>2</sup>**

**120 mm diameter, approx. 113 cm<sup>2</sup>**

- Flat ducts should not have any sharp deflections.
- Use sealing strips for different pipe diameters.

## Electrical connection

### **⚠ Warning**

#### **Risk of electric shock!**

Components inside the appliance may have sharp edges. These may damage the connecting cable. Do not kink or pinch the connecting cable during installation.

The required connection data can be found on the rating plate inside the appliance; to do this, remove the metal mesh grease filter.

#### **Length of the cable: approx. 1.30 m**

This appliance complies with the EC interference suppression regulations.

### **⚠ Warning**

#### **Risk of electric shock!**

It must always be possible to disconnect the appliance from the electricity supply. The appliance must only be connected to a protective contact socket that has been correctly installed. If the plug is no longer accessible once the appliance has been installed, or a fixed connection is required, the installation must have an all-pole isolating switch with a contact gap of at least 3 mm. Only an electrician may install the fixed connection. We recommend installing a residual-current circuit breaker (RCCB) in the appliance's power supply circuit.

## Preparing the units

- The fitted unit must be level and have sufficient load-bearing capacity.
- The max. weight of the extractor hood is 18 kg.

### **Appliance dimensions and safety clearances**

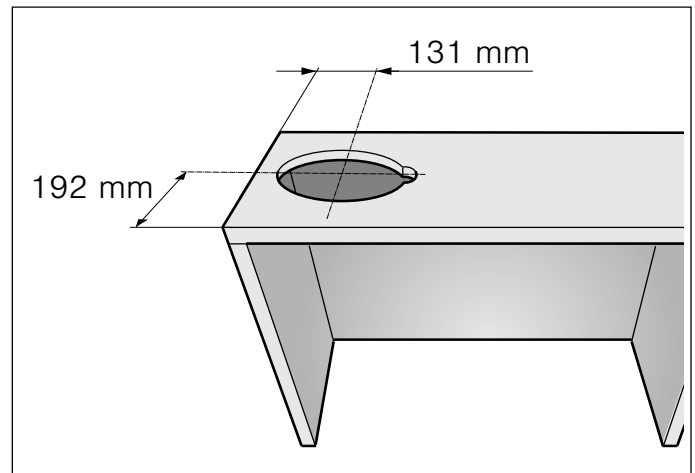
- Observe the appliance's dimensions.
  - Comply with the safety clearances.
- If the installation instructions for the gas cooking appliances specify a different distance, the largest distance must always be provided for.

The fitted unit must be heat-resistant up to 90 °C. The fitted unit must still be sturdy after the cut-outs have been made.

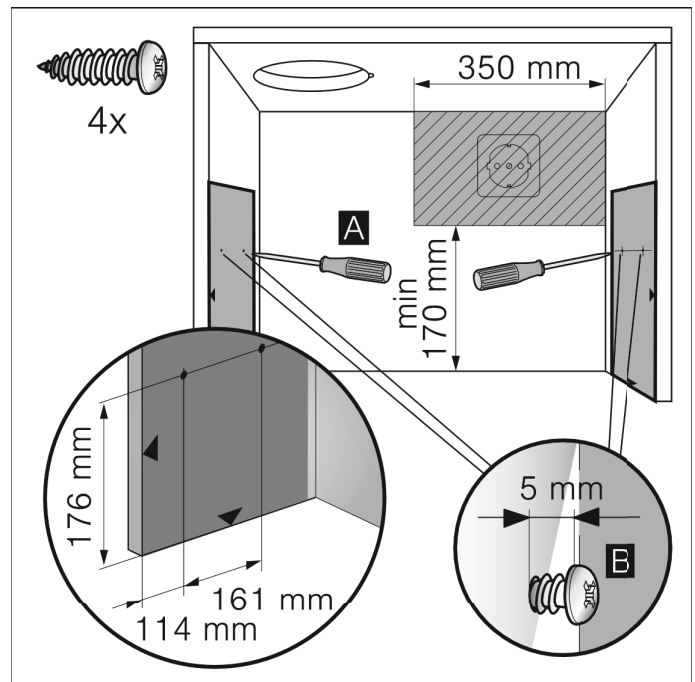
To install an upper cabinet, this extractor hood must be provided with the following dimensions:

Width	600 mm
Depth	Min. 320 mm
Height	Min. 390 mm

1. Make the cut-out for the exhaust air pipe. To do this, make an opening in the ceiling or back wall of the fitted unit with an additional recess for the power cord.



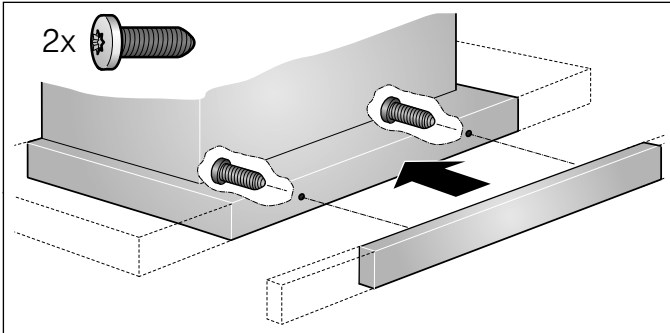
2. If the cabinet base is present, remove this. Mark the securing points on the inside of the cabinet and pre-cut the holes using a piercer. Use the enclosed template to mark the securing points. **A**
3. Screw in the four enclosed screws for the angle bracket up to 5 mm. **B**



## Preparing the appliance

A handle strip must be screwed to the filter pull-out. This handle strip can be one that is provided with the appliance, or one that is available as an accessory.

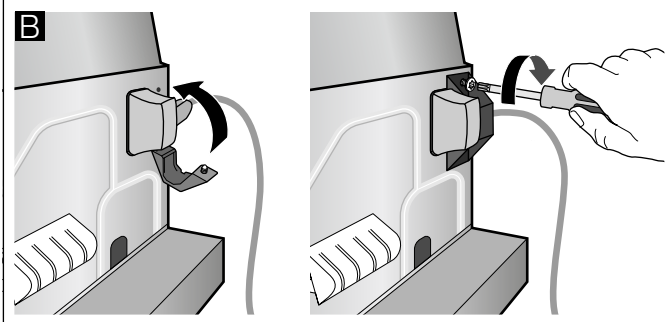
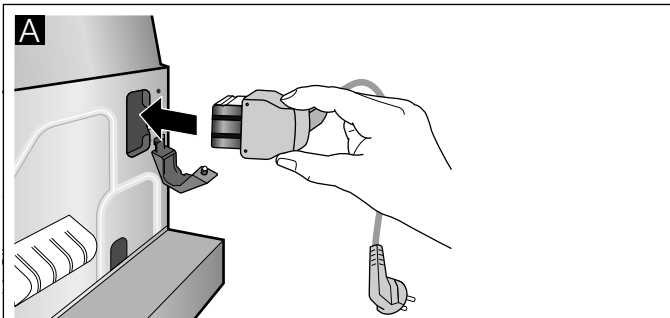
1. Use the screws provided to secure the handle strip to the filter pull-out.



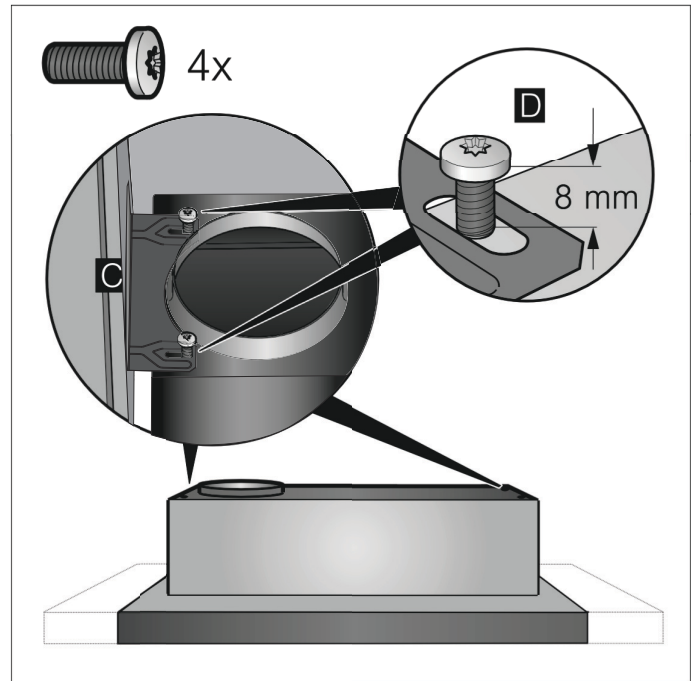
2. Connect the power cord provided to the appliance.

**A**

3. Use the strain relief to secure the power cord in place.



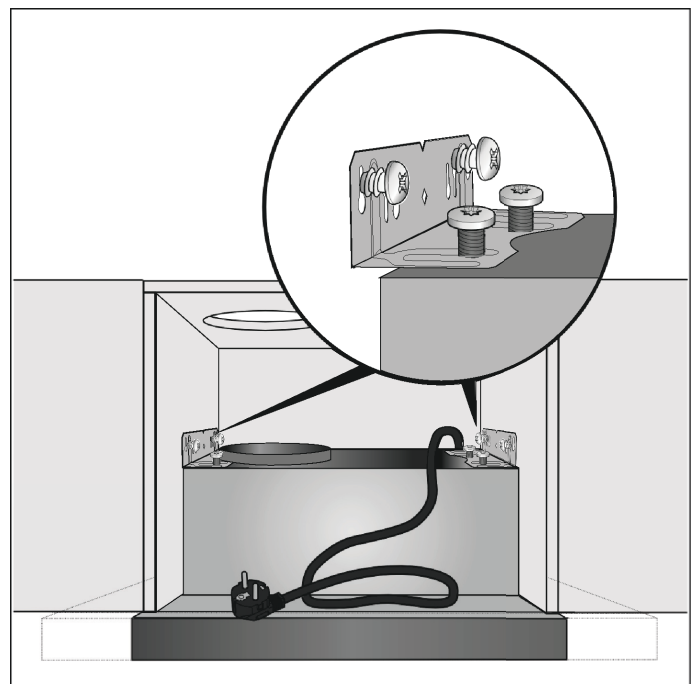
4. Screw the two angle brackets to the appliance. Ensure that the screws are positioned correctly. **C** Screw in the screws until 8 mm of the threaded section is still protruding. **D**



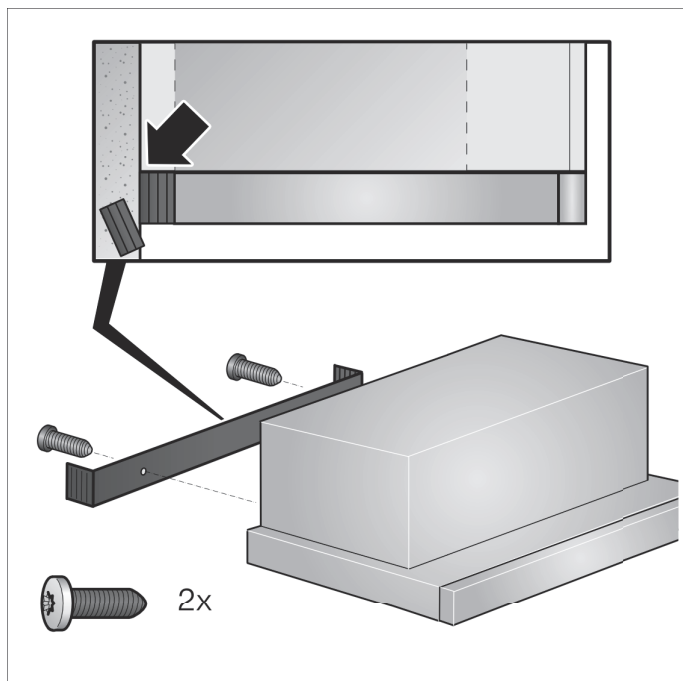
## Installation

### Installation

1. Use the angle brackets to hang the appliance on the screws and align it.



2. Measure the distance from the appliance to the wall and mark this on the filler strip.
3. If required, shorten the filler strip to the required dimension.
4. Remove the appliance and screw in the filler strip.



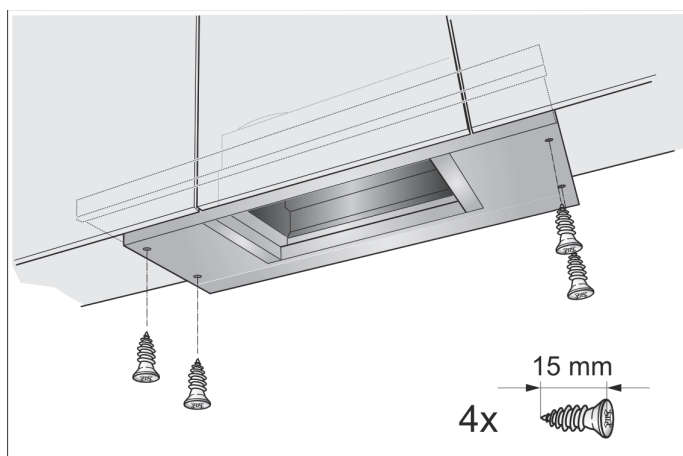
5. Remount the appliance, align it and screw it in place. Carefully screw in all screws.
6. Establish the electrical connection.

**Note:** The extractor hood's housing can be concealed within the upper cabinet. In doing so, you must observe the following:

- The intermediate floor must not be placed on the extractor hood's housing.
- The front panel must not be secured to the housing.
- Access must be available in order to change the filter and for after-sales service.

#### Appliance width, 90 cm:

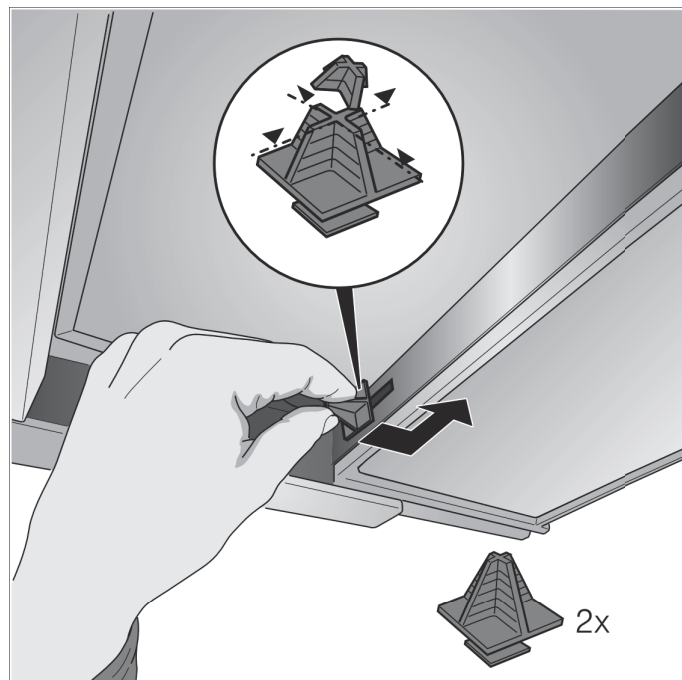
You must also screw the appliance onto the side upper cabinets.



#### Change the filter pull-out's limit stop

On some versions of the appliance, the limit stop for the filter pull-out can be changed. Spacers are included with these appliances in order to set the appliance's handle strip so that it is flush with the fitted unit.

1. Pull the filter pull-out forwards.
2. Shorten the spacer to the required dimension and insert it into the specified slot.



#### Connecting the pipes

**Note:** If using an aluminium pipe, smooth the connection area beforehand.

#### Exhaust-air pipe Ø 150 mm (recommended size)

Attach the exhaust-air pipe directly to the air-pipe connector and seal.

#### Exhaust-air pipe Ø 120 mm

1. Attach the reducing connector directly to the air-pipe connector.
2. Attach the exhaust air pipe to the reducing connector.
3. Seal both joints appropriately.



**Robert Bosch Hausgeräte GmbH**

Carl-Wery-Straße 34

81739 München

Germany

**[www.bosch-home.com](http://www.bosch-home.com)**



9001057653

960915