

Serie | 8, Built-in oven with steam function, Black HSG656XB6A



Included accessories

1 x grill tray, 2 x grid, 1 x universal pan, 1 x steam container, punched, size S, 1 x steam container, punched, size XL, 1 x steam container, unpunched, size S, 1 x sponge

Optional accessories

HEZ327000 : Pizza stone
 HEZ530000 : Half tray
 HEZ531010 : Baking tray, non-stick ceramic coated
 HEZ532010 : Universal pan, non-stick ceramic coated
 HEZ617000 : Pizza pan, anthracite enamelled
 HEZ625071 : Grill tray, anthracite enamelled
 HEZ631070 : Baking tray, anthracite enamelled
 HEZ632070 : Multipurpose pan, anthracite enamelled
 HEZ633001 : Lid for professional pan, enamelled anth
 HEZ636000 : Glass pan

The Full Steam oven with PerfectBake and PerfectRoast: you get perfect results, automatically and gently.

- Cooking with Full Steam retains more of your vegetables' nutrients, flavors and color.
- **Bosch Assist:** automatic setting of the optimal type of heat, temperature and time for countless dishes.
- **4D HotAir:** even heat distribution for perfect results – on any level.
- **TFT touchscreen control:** easy-to-use thanks to the control ring with full text and colour images.
- **EcoClean Direct:** almost no cleaning is necessary thanks to a special coating of the rear- and side wall and the ceiling that automatically absorbs grime and has a regeneration programme.
- **SoftMove door with SoftOpen and SoftClose:** the oven door opens and closes especially gently and quietly.
- **3-stage telescoping rails, fully extendable:** for safe, easy insertion and removal of baking trays.

Technical Data

Color / Material Front :	Black
Built-in / Free-standing :	Built-in
Door opening :	Drop down
Required niche size for installation (HxWxD) :	585-595 x 560-568 x 550
Dimensions of the product (mm) :	595 x 594 x 548
Dimensions of the packed product (HxWxD) (mm) :	670 x 660 x 690
Control Panel Material :	Glass
Door Material :	Glass
Net weight (kg) :	44.318
Approval certificates :	CE, VDE
Length electrical supply cord (cm) :	120
EAN code :	4242005207039
Current (A) :	16
Voltage (V) :	220-240
Frequency (Hz) :	50; 60
Plug type :	no plug
Approval certificates :	CE, VDE
Number of cavities (2010/30/EC) :	1
Usable volume (of cavity) - NEW (2010/30/EC) :	71
Energy efficiency class (2010/30/EC) :	A+
Energy consumption per cycle conventional (2010/30/EC) :	0.87
Energy consumption per cycle forced air convection (2010/30/EC) :	0.69
Energy efficiency index (2010/30/EC) :	81.2



Serie | 8, Built-in oven with steam function, Black HSG656XB6A

**The Full Steam oven with PerfectBake
and PerfectRoast: you get perfect results,
automatically and gently.**

Heating Functions

- Combi-steam oven with 12 heating methods: 4D HotAir Full width grill 4D HotAir Eco Half width grill Top/bottom heating Top/bottom heating Eco Pizza setting Slow cooking Bottom heating Hot air grilling Preheat ovenware Keep warm
- Additional heating methods with steam: Pure steaming, Reheating, Dough Proving, Defrost setting, sous-vide cooking
- Additional functions: Descaling programme drying function
- Rapid heating-up: automatic
- Temperature range 30 °C - 250 °C

Sensor Technology & Automatic Programs

- Bosch Assist - a menu of dishes for automatic cooking
- PerfectBake baking sensor PerfectRoast multipoint meat probe

Design

- TFT Touch Graphic Display
- Bosch Control Ring
- LED lighting
- Cavity volume: 71 net usable litres
- Anthracite enamel cavity with 5 shelf positions

Cleaning

- EcoClean Direct : ceiling, back panel, side liners
- EcoClean Direct automatic prompt for cleaning function
- Full glass inner door

Convenience

- softMove: gentle opening and closing of the oven door.
- Automatic temperature proposal Actual temperature display Residual heat indicator Sabbath mode
- Cavity with shelf support rails, 3-level telescopic rails, fully extendable, safety stop function
- Electronic clock/timer with end time programming
- Info button
- Large 1 litre water tank
- Water tank empty indicator
- Location of the steam generator is outside of the cavity
- Bar handle

Safety and Environment

- Triple glazed door
- Maximum door temperature 40° C
- Child lock function Automatic safety switch off function Residual heat indicator Start button Door contact switch
- Stainless-steel fan
- Cooling fan

2 year warranty

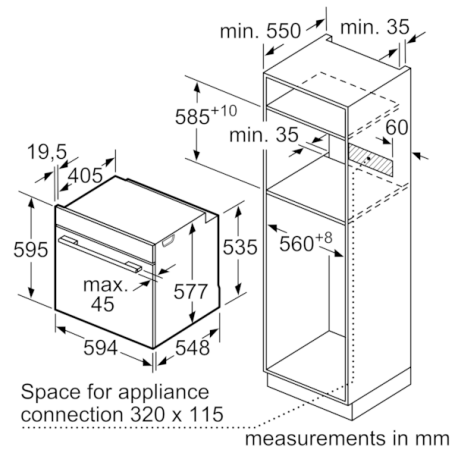
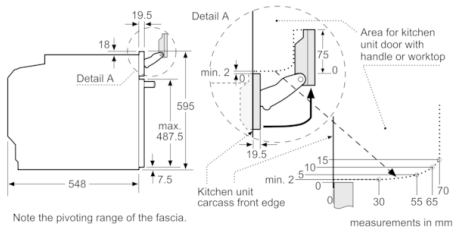
Accessories

- 2 x grid, 1 x grill tray, 1 x sponge, 1 x steam container, punched, size S, 1 x steam container, punched, size XL, 1 x steam container, unpunched, size S, 1 x universal pan

Technical Info

- Appliance dimensions (HxWxD): 595 mm x 594 mm x 548 mm
- Installation dimensions (HxWxD): 585 mm - 595 mm x 560 mm - 568 mm x 550 mm
- Length of mains cable: 120 cm
- Nominal voltage: 220 - 240 V
- Total connected load electric: 3.6 KW
- Please reference the built-in dimensions provided in the installation drawing

**Serie | 8, Built-in oven with steam function,
Black
HSG656XB6A**



If the appliance will be installed underneath a hob, the following worktop thicknesses (including substructure if necessary) must be taken into account.

Hob type	min. worktop thickness	
	fitted	flush
Induction hob	37 mm	38 mm
Full surface Induction hob	47 mm	48 mm
Gas hob	30 mm	38 mm
Electric hob	27 mm	30 mm

