



USER'S MANUAL

FOR OPERATION & INSTALLATION

CHIMNEY COOKER HOOD

Contents

From the manufacturer.....	1
----------------------------	---

FOR THE USER

1. Your safety	
Warning	1
Installation.....	2
During use.....	2
Cleaning, Maintenance & Service.....	2
Electric Cord.....	3
2. Description	
Main parts.....	3
Ducted or Re-circulating mode.....	4
Speed Control.....	4
3. Instructions for use	
A. Push Button Control Panel.....	4
B. Touch Control Panel.....	5
C. Micro-switch Square Panel.....	5
D. Remote Control.....	6
Cleaning & Maintenance.....	7
4. Installation.....	7
Dimension chart.....	9
5. Safety Information.....	10
6. Troubleshooting.....	11
7. Warranty.....	12

From the Manufacturer

Please read this user manual carefully before attempting to operate the appliance and store it in a safe place for future reference.

This appliance and its packaging are produced by processes that minimize waste and respect the environment.

Please help us to continue this effort to protect the environment by using the appliance efficiently and dispose of the packaging in a responsible manner.

FOR THE USER

1. Your safety

Warning



PLEASE READ THIS SECTION THOROUGHLY BEFORE ATTEMPTING TO OPERATE THE APPLIANCE

1. There shall be adequate ventilation of the room when the range hood is used at the same time as appliances burning gas or other fuels (not applicable to appliances that only discharge the air back into the room).
2. There is a fire risk if cleaning is not carried out in accordance with the instructions.
3. Do not flambé under the range hood.
4. The air must not be discharged into a flue that is used for exhausting fumes from appliances burning gas or other fuels (not applicable to appliances that only discharge the air back into the room).
5. This appliance is not intended for use by persons (including children) with reduced physical, sensory or mental capabilities, or lack of experience and knowledge, unless they have been given supervision or instruction concerning use of the appliance by a person responsible for their safety. Children should be supervised to ensure that they do not play with the appliance.
6. Air exhausted must be accordant with local laws.
7. Accessible parts may become hot when used with cooking appliances.

Installation

This appliance must be installed or repaired by a qualified technician only.

It is dangerous to modify any part of this appliance.

The manufacturer declines all responsibility in case of failure to adopt proper safety measures.

Ensure the location in which this appliance is installed has good, permanent ventilation.

In ducted mode, there must be one or more permanent air inlet. The air collected must not be discharged into a duct used to blow off smoke from other appliances fed with electricity.

The distance between the bench to the lower part of the hood must not be less than 65cm.

Use an electrical connector with earth that is correct for your location.

Check that the voltage in your area correspond to the appliance as indicated on the rating label.

Do not connect the hood to a duct that carries combustion fumes (e.g. fireplace).

During use

This product is designed for household use only and should never be used for commercial applications.

After use, always ensure that all controls are in the "OFF" position.

When frying with a gas flame, take particular care not to allow the oil or grease in the pan to catch fire.

Do not use the range hood lights as night lights.

Cleaning, Maintenance & Service

Clean the grease filters often (at least once monthly). Heavy oil deposits is a fire hazard. Hood surface should be cleaned with soft cloth and non-corrosive detergent.

Important: Never attempt to repair this appliance by yourself. Always refer to qualified Service Technicians.

For your safety, insist on original parts.

Always switch off the electricity and unplug the connection before conducting maintenance or cleaning.

Electric Cord

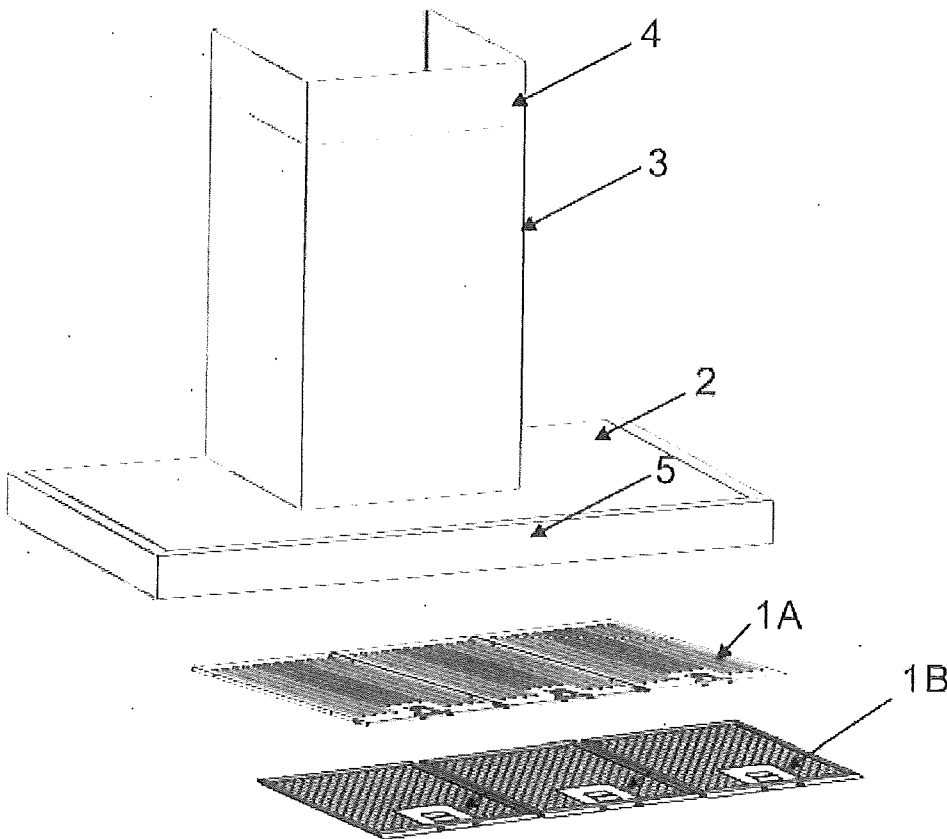
Ensure the supply cord is not exposed to heat, chemicals or sharp objects.

If the supply cord is damaged, it must be replaced by the manufacturer or its service agent or a similarly qualified person in order to avoid a hazard.

1. Description

Main parts

- | | | |
|------------------------------|----------------------|------------------|
| A. Baffle filter (installed) | 1B. Aluminium Filter | 2. Canopy |
| Main flue | 4. Extension flue | 5. Control panel |



Ducted or Re-circulating mode

Depending on your requirement, this appliance can be configured to operate in the ducted or re-circulating modes.

DUCTED MODE: Fire proof ducting system of 150mm diameter vent the fumes through a suitable outlet. In the ducted mode, only the aluminium grease filters are installed.

RECIRCULATING MODE: Fumes are filtered for grease and odour through the aluminium grease filters and the charcoal filters respectively and re-introduced into the kitchen environment. In re-circulating mode, both the aluminium grease filters and the charcoal filters should be installed.

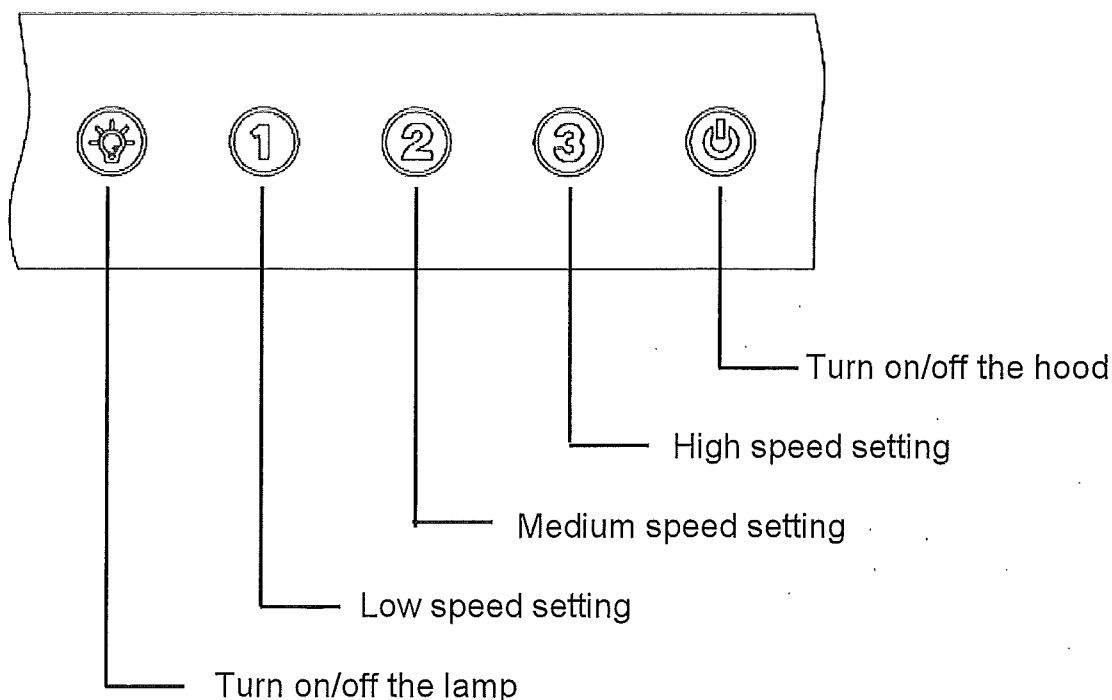
Speed Control

The hood is equipped with a 3 or 4 speed mechanical/electronic control.

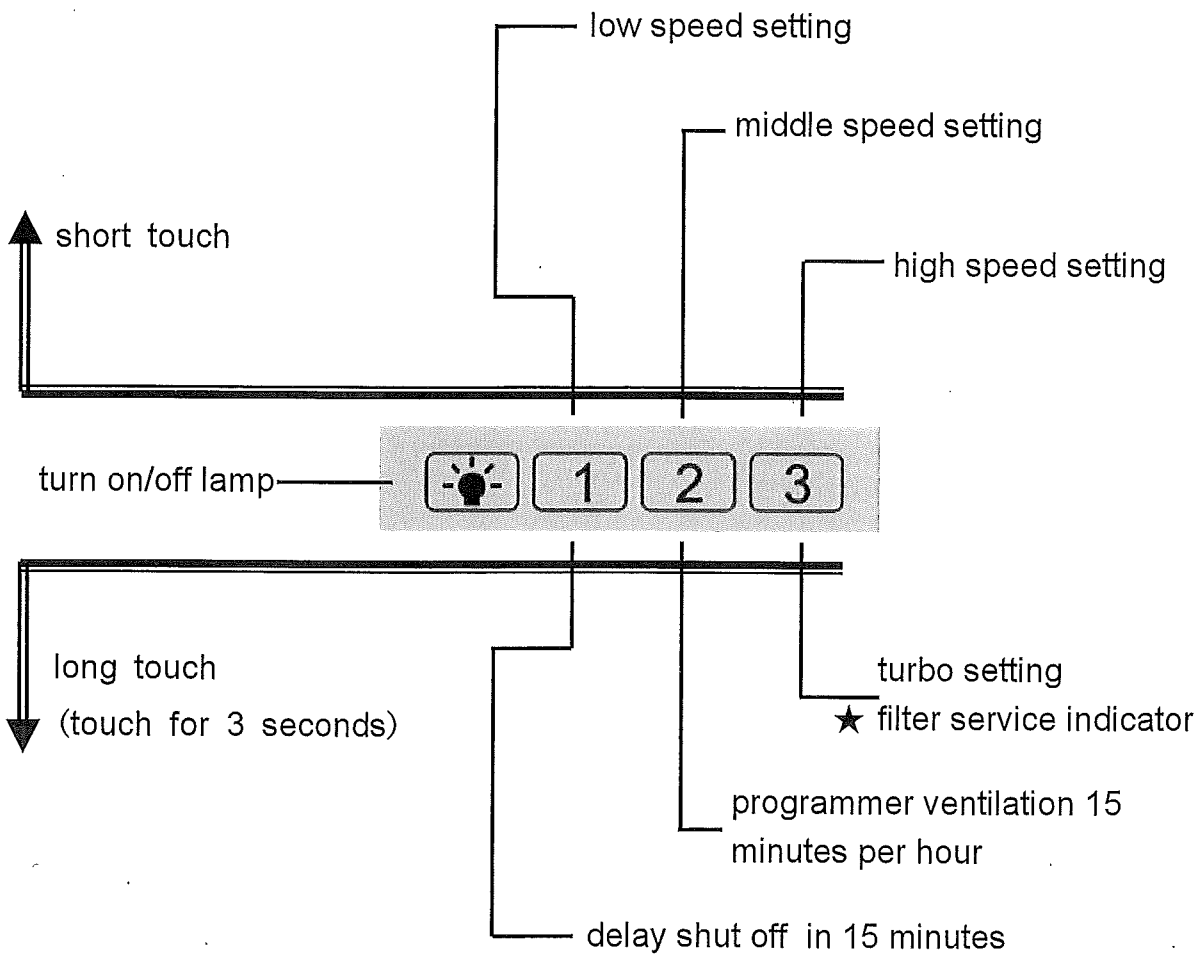
Use the low speed for simmering, medium speed for light cooking. Use the high speed for frying or heavy cooking.

3. Instructions for use

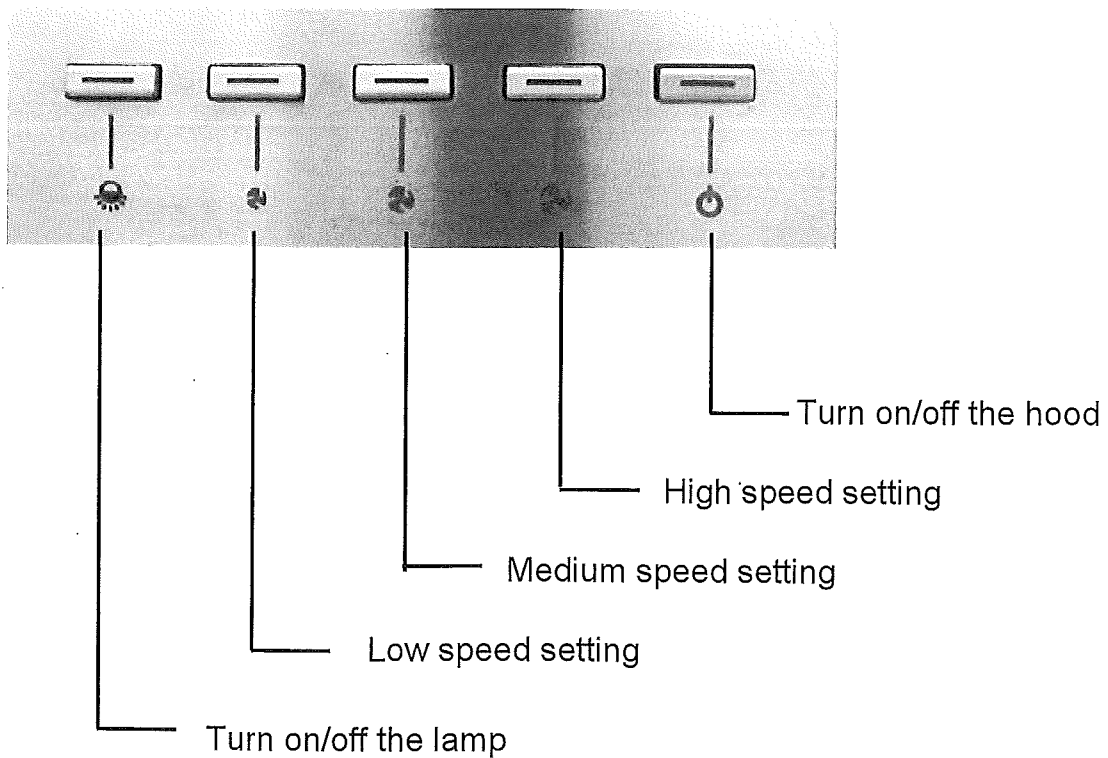
A. Push Button Control Panel



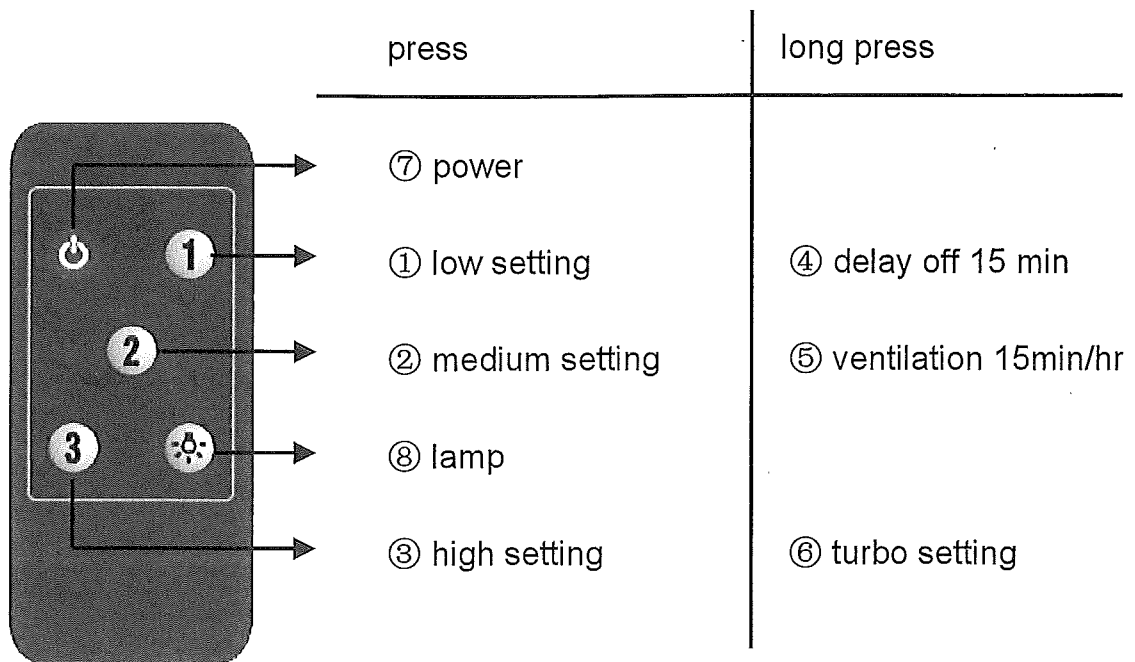
B. Touch Control Panel



C. Micro-switch Control Panel



D. Remote Control



Remark:

⑦ **short press:** turn on/off the power.

① **short press:** turn on/off low speed setting.

② **short press:** medium speed setting.

⑧ **short press:** light on/off control.

③ **short press:** high speed setting.

④ **long press:** (a) while no other blower function is active, work at low speed setting & delay shut off in 15 minutes. (b) while any blower function is active, add a 15 minutes delay shut-off.

⑤ **long press:** work at medium speed setting. & with Programmer ventilation 15 minutes per hour, only applicable while no other function is active.

⑥ **long press:** work at turbo speed setting.

Note:

(a) to repeat short press or long press on a single button will switch On and Off status of the present option.

(b) any latest option will replace the previous option.

Cleaning & Maintenance



ALWAYS SWITCH OFF AND UNPLUG FIRST!

SURFACES:

Wash with warm soapy water and a soft sponge. Never use abrasive detergent, scouring pads, steel wool or solvents on any part of this appliance as this will cause irreparable damage.

ALUMINIUM GREASE FILTERS:

Wash in the dishwashers or soak the panels in a degreasing agent for an hour, then rinse off and dry before re-installing.

CHARCOAL FILTERS:

(only in re-circulating model): Charcoal cannot be reused. They must be replaced with the appropriate types once a year or depending on the frequency of appliance usage.

For this appliance to function effectively, regular maintenance is a must.

Clogged filters restrict airflow and may cause the motor to overheat.

4. Installation

Use suitable bolts to mount the appliance on a secure surface.

The minimum distance between the bench top and the lowest part of the hood must not be no more than 65cm.

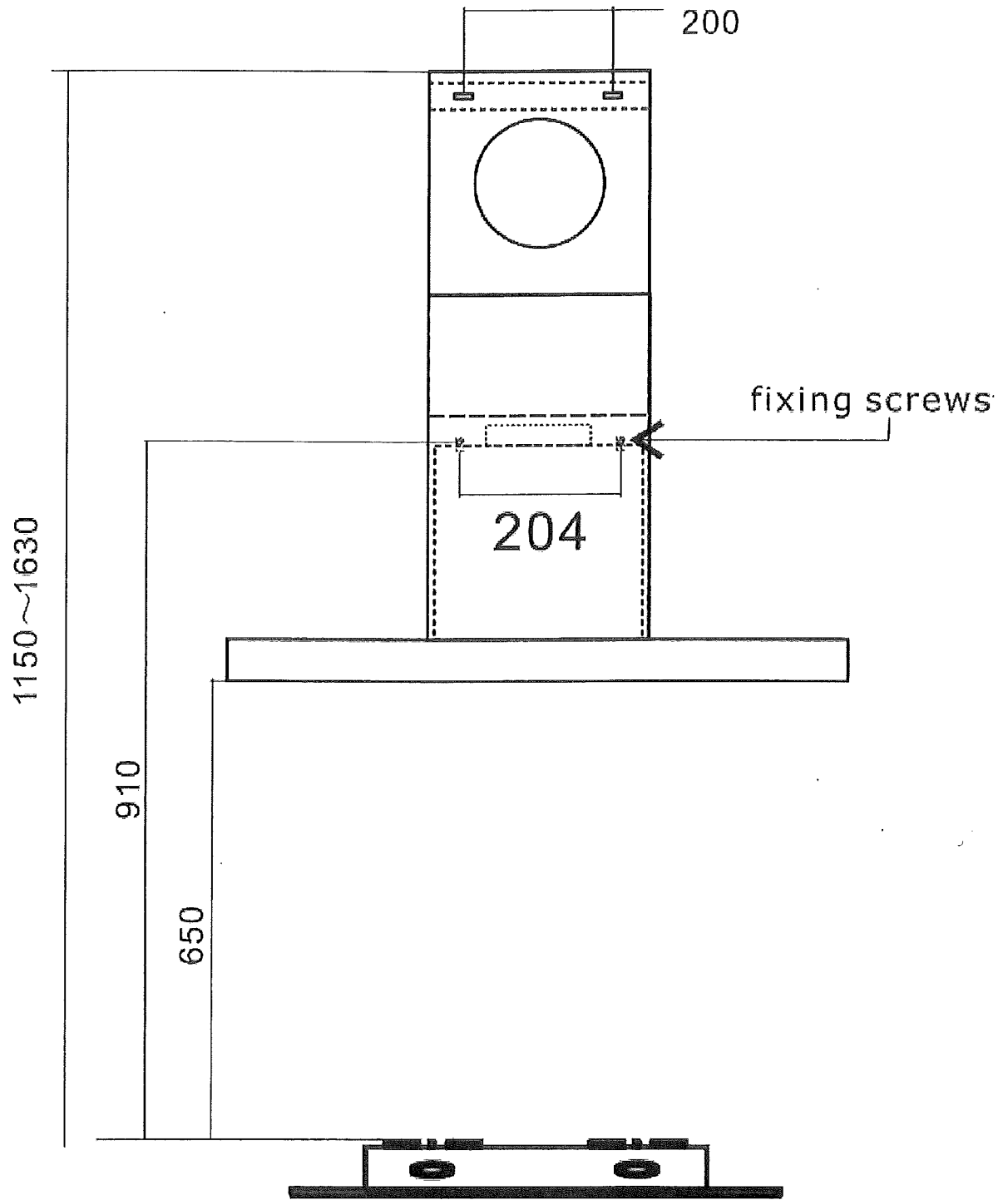
The location of the installation must have permanent openings for ventilation.

Regulations concerning the discharge of air have to be fulfilled.

It is strongly recommended that the hood be installed right over the exhaust air from cooking.

It is better not to install the outlet of the pipe in the wind direction, as this could restrict the flow of the exhaust air.

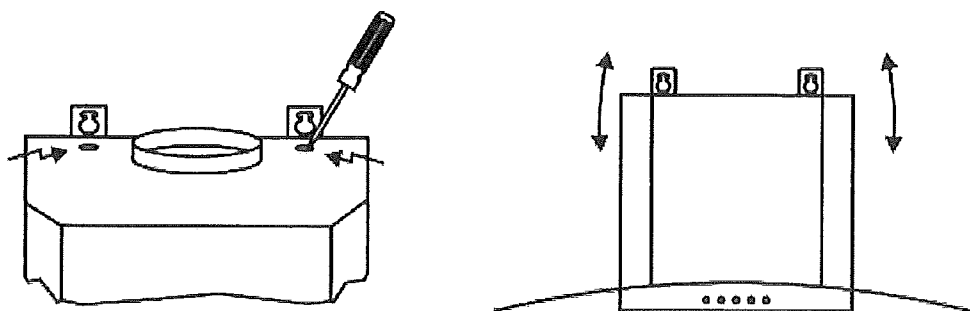
Fasten the components for the exhaust outlet with screws. To ensure a good flow of exhaust air, the amount of bends must be limited, as each bend will cause a resistance and limit the air flow.



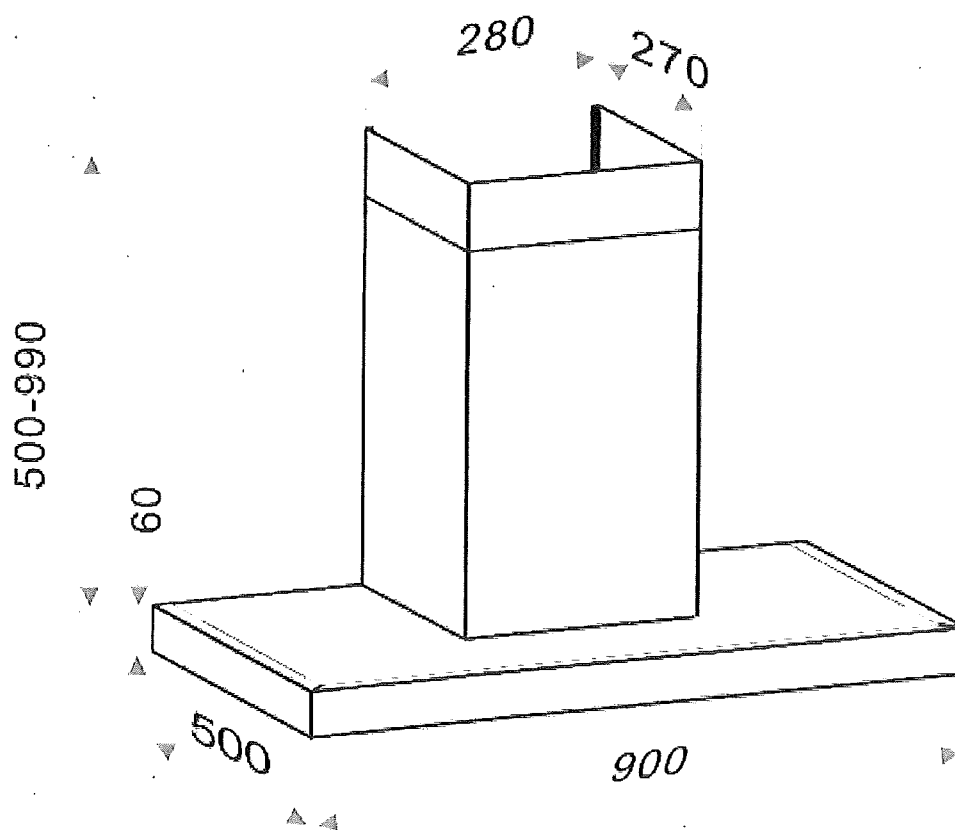
Every hood has two fixing screws to firmly fix the hood in its place.

Leveling Device

When mounting the hood on the wall, the level can be adjusted by turning the two screws on the motor housing.



Dimension chart



5. Safety Information

Connection to the electrical supply

Electrical connection must be made only in accordance to the local standards and laws.

Ensure that the electrical supply complies with the setting on this appliance, otherwise, do not connect.

The electrical connection of this appliance must be earthed. If unsure, check with a qualified electrician. Color code:

Green & Yellow = EARTH

Blue = NEUTRAL

Brown = LIVE

Ensure that the power supply cord is free from any heat source or sharp objects.

6. Troubleshooting

Symptoms	Possible Cause	Action
No go	No electrical supply	Check that the main switch is turned on
		Check that the plug is connected
Poor airflow	Aluminium grease filters clogged	Clean the filters and replace when dry
	Charcoal grease filters clogged	Replace charcoal filters with new sets
Motor running but no airflow	Butterfly valve jammed	Contact technician
Motor cuts after a few minutes	High temperature safety device activated	The kitchen is not sufficiently ventilated
	The hood is installed too near the cooking Stove	The hood must be at least 65cm from stove
Strong cooking smell	Charcoal filters are not installed	Charcoal filters must be installed in re-circulating mode
Oil dripping onto stove	Oil cup missing or not installed	Remove aluminium filter and replace oil cup
	Aluminium grease filter saturated	Wash the aluminium grease filters
Whirring sound	Foreign object in contact with fan blade	Contact technician

Warranty

THIS WARRANTY IS VALID IN AUSTRALIA ONLY

Note:

Please complete the following details when you have unpacked the product and retain this card with the purchase invoice or sales docket.

Warranty:

This product is covered by a Warranty in addition to all rights available to you by statute.

Our goods come with guarantees that cannot be excluded under the Australian Consumer Law. You are entitled to a replacement or refund for a major failure and for compensation for any other reasonably foreseeable loss or damage. You are also entitled to have the goods repaired or replaced if the goods fail to be of acceptable quality and the failure does not amount to a major failure.

The Warranty is for a period of two years (24 months) from the date of purchase for Parts and Labour, however, Dishwashers will have a 10 Year Parts and Labour Warranty on the Electric Wash Motor.

Refrigeration appliances will have an additional three years (36 months) Warranty for Parts only on the Sealed System eg; compressor, condenser, evaporator, filter dryer and pipe work, subject to the following conditions;

The conditions mentioned above are;

1. that the purchaser carefully follows all instructions packed with the product;
2. that the purchaser carefully follows the installation instructions provided and complies with the electrical wiring regulations, gas and/or plumbing codes;
3. that the purchaser carefully follows the instructions provided in the owner's handbook relating to the proper use and care of the product and does not use the product for any purpose other than the Domestic, indoor use, for which it has been designed.
4. that the product was purchased and installed in Australia;

5. that this Warranty does not extend to;

a) optional glass lids for hobs apart from claims which relate to mechanical or physical damage thereof at the date of purchase;

b) light globes (with the exception of microwave oven globes);

c) damage to ceramic glass caused by liquid or solid spillovers, lack of maintenance or impact. Please read the booklet explaining about liquids containing sugar;

d) damage to the surface coatings caused by cleaning or maintenance using products not recommended by the owners handbook;

e) defects caused by normal wear and tear, accident, negligence, alteration or misuse.

f) a product dismantled, repaired or serviced by any serviceperson other than an authorised employee or agent of Smeg Australia Pty Ltd;

g) The provision of service under this Warranty is limited by the boundary of the nearest agent's area. Travelling cost incurred for service outside this area is not covered by this Warranty and will incur commercial cost to be paid by the customer regulated by the number of kilometres travelled beyond the service area.

For service, please contact your local Smeg Australia Pty Ltd office or dealer/retailer from whom you purchased the product. If you are unable to establish the date of purchase, or if the fault is not covered by this Warranty, or if the product is found to be in working order,

you will be required to bear all service call charges.

CONTACTS: DETAILS:

SYDNEY – HEAD OFFICE..... Tele. (02) 86674888. Fax. (02) 86674800
QUEENSLAND..... Tele. (07) 32660444. Fax. (07) 32667511
NEWCASTLE..... Tele. (02) 49609266. Fax. (02) 49609277
~~CANBERRA..... Tele. (02) 62807099. Fax. (02) 62807137~~
WAGGA WAGGA..... Tele. (02) 69228600. Fax. (02) 69228611
VICTORIA..... Tele. (03) 90941999 Fax. (03) 90941990
TASMANIA..... Tele. (03) 63348166. Fax. (03) 63348177
SOUTH AUSTRALIA..... Tele. (08) 83461888. Fax. (08) 83401034
WESTERN AUSTRALIA..... Tele. (08) 94780466. Fax. (08) 94780470

DETAILS:

Model No:.....

Serial No:.....

Date of Purchase:.....

Retailer:.....

Invoice/Docket No:.....

Smeg Australia Pty Ltd. ABN No.33 146 901 082. ACN No.146 901 082