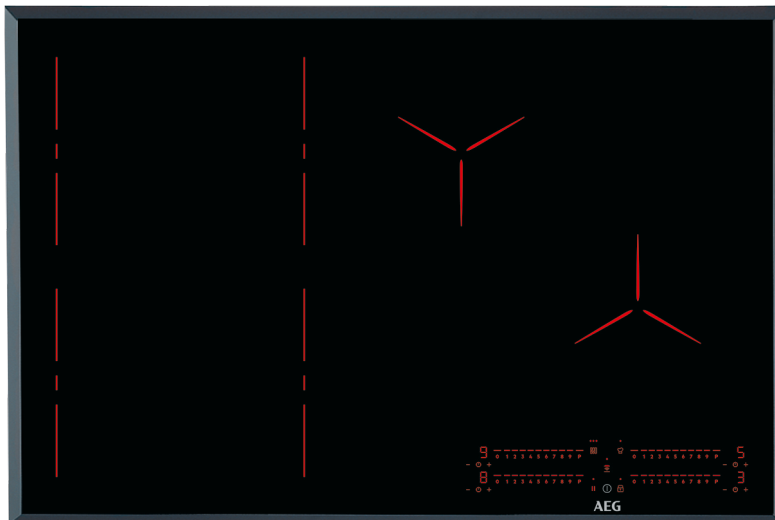


**80cm Pure FlexiBridge induction cooktop with ProCook function, touch slide controls and Hob2Hood.**  
RRP AUS \$3,599.00



## Product Details

### FEATURES

---

Pure black surface

Hob2Hood

ProCook function

FlexiBridge function

---

Touch slide controls

**OptiHeat™ control**  
 The OptiHeat™ control helps you make the most efficient use of residual heat. It advises 3 levels of residual heat whether the heat zone is still hot enough to cook with, hot enough to keep food warm, or simply hot to touch.

Pause Function

Oko timer

---

Minute Minder

Function control lock

---

### BENEFITS

---

**Blends seamlessly into kitchen surrounds**

The unique pure black surface and bevelled edges align perfectly with every kitchen style. When the hob is switched off, the ceramic glass surface is completely black. While powered, the surface illuminates to reveal red LED backlit controls and the OptiZone cooking surfaces.

**Hob2Hood**

Leave Hob2Hood to regulate the fan while you concentrate on the key moments involved in getting your dish just right. It will automatically control your rangehood's fan and lights.

---

**ProCook**

At the touch of a button, the FlexiBridge cooking zone switches to three pre-set temperature levels: high, medium and low so you can simply move the pan to seamlessly go from boil to simmer.

**Combine zones to cook more with FlexiBridge**

Activated by a dedicated touch key and seamlessly controlled through one control, FlexiBridge is perfect for cooking larger dishes.

---

## Touch slide controls

Precise heat control in an instant. Heat levels can be adjusted quickly, easily and accurately.

## OptiHeat™ control by monitoring each heat zone

The OptiHeat™ control helps you make the most efficient use of residual heat. It advises 3 levels of residual heat whether the heat zone is still hot enough to cook with, hot enough to keep food warm, or simply hot to touch.

---

## Specifications

### PRODUCT PROFILE

Domestic warranty details (yrs)	5
Cooktop type	Induction
Materials/Colour	
Trim finish	bevelled sides only
Removable trim (for cleaning)	No

### DIMENSIONS

Total product width (mm)	780
Total product depth (mm)	520
Cut out width (mm)	750
Cut out depth (mm)	490

### CONTROLS

Controls of Cooktops	Touch and Slide controls
Position of controls	front
Functions of Cooktops	Keep warm function,automatic switch off,AutoMax automatic heat up,timer,acoustic signal,booster,Hob2Hood,FlexiBridge,ProCook
Indicators/display	fault indicator,3 level residual heat indicator

### ELEMENTS/BURNERS

#### LEFT FRONT ZONE

Left front zone	FlexiBridge
Left front Watts	2300
Left front boost watts	3200
Left front diameter	220

## CONTROLS

Features of Cooktop	minute minder,function lock,sound off,snap in fastening system,auto pot sensors,Hob2Hood Connectivity,FlexiBridge zone
---------------------	--

Timer of Cooktop	Oko timer,Minute minder
------------------	-------------------------

## LEFT REAR ZONE

Left rear zone	FlexiBridge
----------------	-------------

Left rear watts	2300
-----------------	------

Left rear diameter	220
--------------------	-----

## CENTRE REAR ZONE

Centre rear zone	induction
------------------	-----------

Centre rear Watts	2300
-------------------	------

Centre rear diameter	210
----------------------	-----

## RIGHT FRONT ZONE

Right front zone	induction
------------------	-----------

Right front Watts	1800
-------------------	------

Right front diameter	180
----------------------	-----

## ELECTRICAL SPECIFICATIONS

Connected load KW	7.4
-------------------	-----

Type of connection	hardwired
--------------------	-----------

## SHIPPING

Shipping Volume (m3)	0.061
----------------------	-------

## SHIPPING

---

Shipping Weight (Kg)	14
----------------------	----

---

Pack Dimensions Height (mm)	118
-----------------------------	-----

---

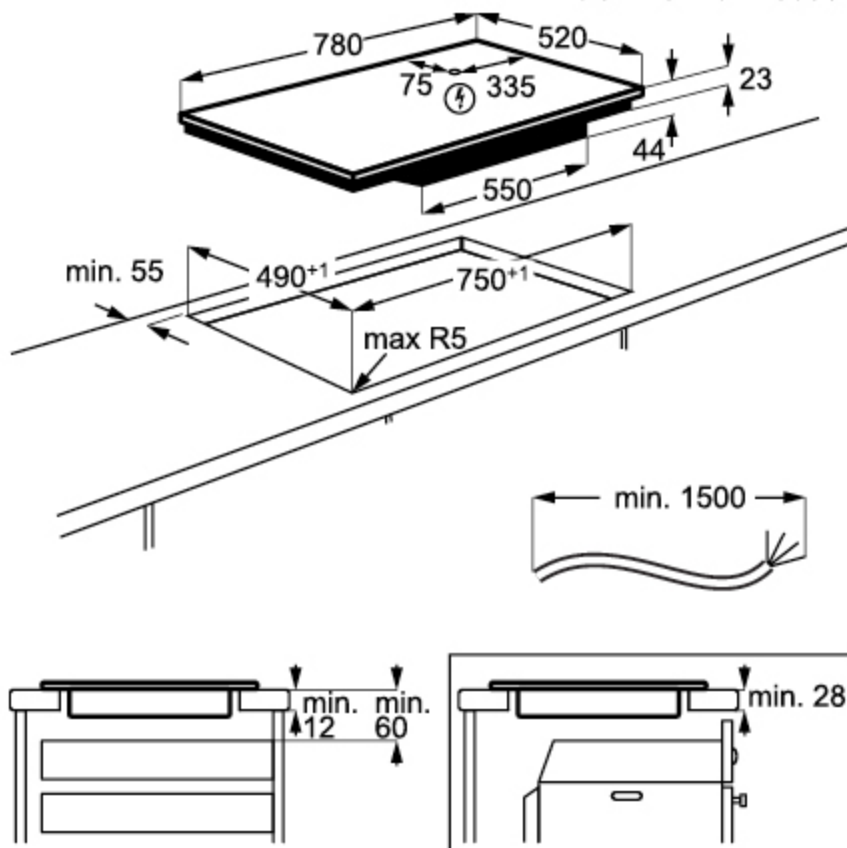
Pack Dimension Width (mm)	868
---------------------------	-----

---

Pack Dimension Depth (mm)	600
---------------------------	-----

---

## Dimensions



**IMPORTANT**

These dimensions are a guide only. All measurements are in millimetres (mm).  
For complete installation instructions, refer to the manual provided with product.

## Terms and Conditions

### IMPORTANT

This is a guide of product dimensions only. For complete installation instructions, refer to the manual provided with product.

### PRODUCT INFORMATION

The descriptors and illustrations in this publication apply to the specific products and models described as at the date of issue. Under our policy of continuous product development, product specifications may change without notice. Prospective purchasers should therefore check with their retailer to ensure this publication correctly describes the products that are being offered for sale. All information supplied is to be used for general reference purposes only and is on the understanding that Electrolux Home Products Pty Ltd (Australia) and Electrolux (NZ) Ltd (New Zealand) will not be liable for any loss, liability or damage of whatever kind arising as a result of reliance on such information. Colours of products illustrated are as close as printing limitations allow. Electrolux will at all times comply with its obligations pursuant to law including Trade Practices (Australian Consumer Law) Act and Regulations.

### WARRANTY

Electrolux Home Products warrants that for domestic applications the AEG appliances featured are free from defects in materials and workmanship for 5 years (3 months warranty for commercial applications). All warranties are subject to the conditions set out in the warranty card accompanying the product when purchased.

#### ELECTROLUX HOME PRODUCTS AUSTRALIA

telephone: 1300 363 664

fax: 1800 350 067

email: [customercare@aegaustralia.com.au](mailto:customercare@aegaustralia.com.au)

web: [www.aeg.com/au](http://www.aeg.com/au)

#### ELECTROLUX HOME PRODUCTS NEW ZEALAND

telephone: 0800 10 66 10

fax: 09 573 2221

email: [customercare@electrolux.co.nz](mailto:customercare@electrolux.co.nz)

web: [www.aeg.com/au](http://www.aeg.com/au)