

KDK911423T

PrecisionVac™ matte black SousVide Vacuum Sealer Drawer with vacuum chamber, LED lighting, fully adjustable extraction and functions including vacuum, marinating and sealing.

Features

- The finest ingredients deserve the finest treatment
- LED touch controls for easy use
- Adjustable sealing time
- Adjustable vacuum control with up to 99.9% vacuum
- Advanced preservation of food for extended freshness



Product Dimension

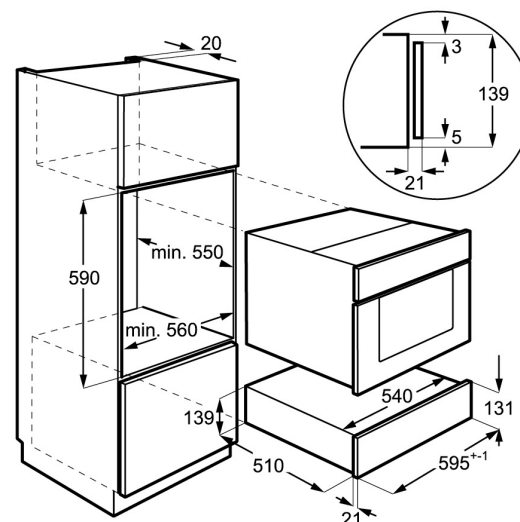
Total height (mm) - 140, Total width (mm) - 540, Total depth (mm) - 510

Flush fit cut out

Flush fit cut out height (mm) - 141, Flush fit cut out width (mm) - 560, Flush fit cut out depth (mm) - 550

Internal dimensions

Internal cavity height (mm) - 72, Internal cavity width (mm) - 408, Internal cavity depth (mm) - 276



IMPORTANT
These dimensions are a guide only. All measurements are in millimetres (mm).
For complete installation instructions, refer to the manual provided with product.