

60cm fully integrated dishwasher with 7 wash programs, featuring ComfortLift basket, MaxiFlex cutlery drawer, ComfortRails and ProClean™ satellite spray arm to deliver a perfect wash result, regardless of your load.

RRP AUS \$2,699.00



Product Details

FEATURES

<p>ComfortLift™ Designed around your needs to unload more efficiently and stack more effectively.</p>	<p>MaxiFlex Accommodate every kitchen tool with MaxiFlex.</p>	<p>SatelliteClean ProClean Satellite Spray reaches every corner.</p>	<p>ComfortRails Smoothly slide the baskets into place</p>
<p>AirDry AirDry uses natural airflow for better drying.</p>	<p>ExtraPower ExtraPower option cleans with immaculate results.</p>	<p>GlassCare GlassCare protects and gently cleans glassware.</p>	<p>Eco Program Eco program reduces energy and water consumption.</p>
<p>AutoSense AutoSense optimises the wash cycle for any load.</p>	<p>Silent program You will barely know its there.</p>	<p>TimeBeam TimeBeam keeps you updated on wash cycle status.</p>	<p>Delay Start 24H Delay start of the program to suit your schedule.</p>

LED lighting

BENEFITS

LIFT GENTLE TO A NEW LEVEL

Our ComfortLift dishwasher lets you gently slide and lift the lower basked upwards. With a dishwasher designed around your needs, you can load and unload more efficiently and stack more effectively. With ComfortLift we've elevated dishwashing to a whole new level.

DARE TO USE EVERY KITCHEN TOOL

The MaxiFlex drawer is designed to fit cutlery and utensils of all shapes and sizes. Its increased depth offers greater capacity in each load. Whether large or awkwardly-shaped, the customisable dividers and deep drawer mean everything can be loaded with ease

REACH EVERY CORNER

The ProClean powerful, double rotating satellite spray arm, with 5 spray levels, sprays from continuously varying angles ensuring maximum water coverage over your entire load for an immaculate wash result.

ALWAYS GENTLE ON YOUR DISHES

With ComfortRails you can smoothly slide the basket into place without any rattle of the dishes meaning you never have to worry about damaged glasses again. Always smooth to load and unload.

THE DOOR TO AUTOMATIC DRYING

Our AirDry technology lets you maximise your drying performance with natural airflow. The door automatically opens up to 10cm when the cycle is complete. It dries your dishes naturally meaning spotless, cared for glasses every time.

IMPROVE WASHING RESULTS

ExtraPower function improves the washing results of the selected program. The extra boost in wash temperature and duration rids stubborn stains from your kitchenware with immaculate results.

GENTLE CARE FOR YOUR GLASSWARE

The unique SoftGrip feature ensures that the stem and foot of every glass are held gently but firmly in exactly the right position throughout the duration of the program. Protected from vibration. Removing the risk of breakages. And with SoftSpikes you no longer need to spend time handwashing delicate glasses. The soft material gently holds glasses securely in place and protects them from cracks and breakage.

HIGH PERFORMANCE. LOW ENERGY.

By selecting the EcoProgram you can rest assured that your dishes will be cleaned using the lowest possible amount of energy and water for the load, without compromising on wash performance.

OPTIMISE TIME, ENERGY & WATER.

AutoSense detects the soil level and load size and adjusts settings accordingly to deliver an optimised wash program for the load. This delivers incredible cleaning performance, whilst in turn, its more efficient on energy, water, and time.

ALWAYS STAY UPDATED

TimeBeam projects a countdown to the end of the program or the countdown of the delay start onto the floor below the dishwasher so that you can easily see how much time is left before unloading.

CLEAN DISHES ON YOUR SCHEDULE

The 24-hour delay start function lets you load your dishwasher and program it to start at the time that suits your schedule.

Specifications

PRODUCT PROFILE

Domestic warranty details (yrs)	5
Type of Dishwashers	fully integrated
Place settings	14
Drying system	AirDry
Number of spray arms	3
Top shower	Yes

DIMENSIONS

Total height (mm)	818
-------------------	-----

SPECIFICATION

Water Efficiency Star Rating	5
WELS Registration Number	D02715
Water consumption (litres)	11.2
Energy Efficiency Star Rating	3.5
Energy consumption cold water (kWhr/yr)	273
Noise level dBA	44
Water supply	cold or hot (maximum 60°C)
Basket colour	grey
Service cord length	1600
Inverter system	Yes

BUILT-IN DIMENSIONS

Door panel minimum weight (kg)	1.5
--------------------------------	-----

DIMENSIONS

Total width (mm)	597
Total depth (mm)	570

BUILT-IN DIMENSIONS

Door panel maximum weight (kg)	10
Door panel minimum height (mm)	670
Door panel maximum height (mm)	820
Plinth height minimum (mm)	0
Plinth height maximum (mm)	140

WASH PROGRAMS

Number of Programs	7
Programs	Quick 30 min,Regular 90 min,AUTO Sense,Machine Care,Light 60 min,Heavy 160 min,ECO 180 min
Wash option	Delay start (1-24 hours),GlassCare,ExtraPower,ExtraSilent
Range of temperatures	4

CONTROL PANEL

Control panel type	LCD display
Top mounted control panel	Yes
Control panel finish	black
Display indicators	delay start,rinse aid,service code,program selected,GlassCare,ExtraPower,ExtraSilent,TimeBeam on Floor,My Time

FEATURES

Other Features	interior light,Auto Off,MaxiFlex drawer with ComfortRails
Water safety system	aqua control
Dispenser	detergent,rinse aid

UPPER BASKET

Upper basket features	soft spikes for tall glass,SoftGrip,Foldable glass rack,ComfortRail,easy lift adjustable upper basket
Foldable cup shelves	4
Foldable Racks	2

HOSES

Inlet hose length	1800
Drain hose length	1800
extension hose	spare part

EXTERIOR

Door finish	your cabinetry
Side colour	grey
Plinth colour (kickboard)	no plinth supplied
Removable worktop	No

LOWER BASKET

Lower Basket Features	ComfortLift
Foldable Racks	4
Foldable cup shelves	0

SHIPPING

Shipping Volume (m3)	0.376
Shipping Weight (Kg)	40.1
Pack Dimensions Height (mm)	870
Pack Dimension Width (mm)	635

SHIPPING

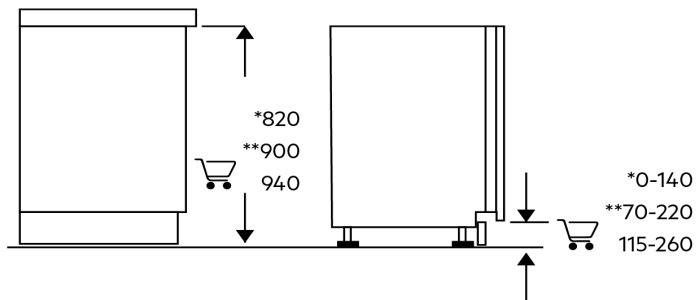
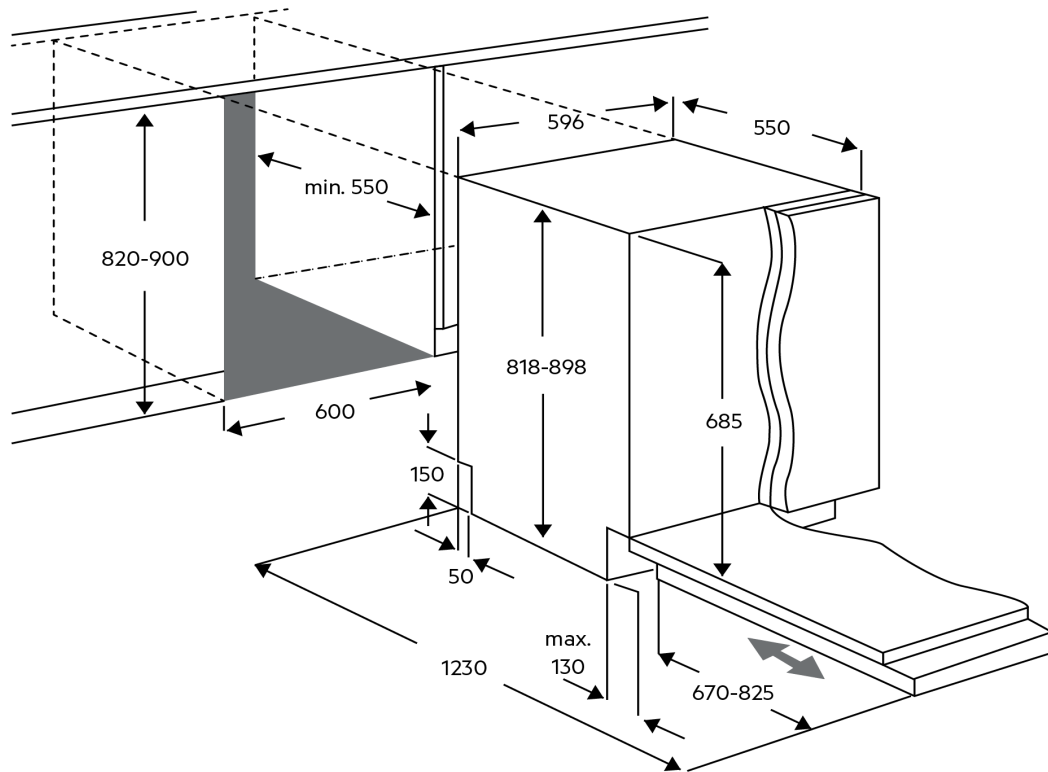
Pack Dimension Depth (mm)	680
------------------------------	-----

STUFFING QUANTITIES

40ft HC	150
---------	-----

Dimensions

Model:
FSE93000RO



© 2022 Electrolux S.E.A PTE. LTD. A_Dim_FSE93000RO_Apr22

Terms and Conditions

IMPORTANT

This is a guide of product dimensions only. For complete installation instructions, refer to the manual provided with product.

PRODUCT INFORMATION

The descriptors and illustrations in this publication apply to the specific products and models described as at the date of issue. Under our policy of continuous product development, product specifications may change without notice. Prospective purchasers should therefore check with their retailer to ensure this publication correctly describes the products that are being offered for sale. All information supplied is to be used for general reference purposes only and is on the understanding that Electrolux Home Products Pty Ltd (Australia) and Electrolux (NZ) Ltd (New Zealand) will not be liable for any loss, liability or damage of whatever kind arising as a result of reliance on such information. Colours of products illustrated are as close as printing limitations allow. Electrolux will at all times comply with its obligations pursuant to law including Trade Practices (Australian Consumer Law) Act and Regulations.

WARRANTY

Electrolux Home Products warrants that for domestic applications the AEG appliances featured are free from defects in materials and workmanship for 5 years (3 months warranty for commercial applications). All warranties are subject to the conditions set out in the warranty card accompanying the product when purchased.

ELECTROLUX HOME PRODUCTS AUSTRALIA

telephone: 1300 363 664

fax: 1800 350 067

email: customercare@aegaustralia.com.au

web: www.aeg.com/au

ELECTROLUX HOME PRODUCTS NEW ZEALAND

telephone: 0800 10 66 10

fax: 09 573 2221

email: customercare@electrolux.co.nz

web: www.aeg.com/au