

**Compact SteamBoost multifunction 22 matte black oven with Steamify® function, TFT touchscreen, full steam function, steam cleaning functions and Food Sensor.**

RRP AUS \$4,299.00



## Product Details

### FEATURES

---

Steamify

SteamBoost

SenseCook food sensor  
Select your cooking preference, insert the Food Sensor and the oven will do the rest with SenseCook.

Intuitive TFT display  
Full touchscreen TFT display with preset programs and sous-chef like support.

---

Fast heat-up  
Fast heat-up warms your oven to the desired temperature quickly so you can start cooking sooner.

Dough proving program  
The warming drawer creates the ideal environment for your dough to rise when baking bread at home.

Slow Cooking  
Get those tender results with the built in Slow Cooking function.

Defrost setting

---

160 automatic programs

AEG Home App

---

### BENEFITS

---

**AUTOMATICALLY ADJUST STEAM WITH STEAMIFY**  
Mastering precise results with steam have never been easier. The Steamify function automates steam cooking through an intuitive touchscreen user interface. Simply select your desired cooking temperature and Steamify will add the optimal amount of steam to match, bringing out the flavours and textures in the food you cook, while preserving nutrients for deliciously healthy eating.

**STEAM. JUICY AND CRISPY**  
SteamBoost works in exactly the same way as a traditional cooking method, with the added benefit of steam. Locking in the natural moisture to deliver a whole range of juicy and succulent dishes including meat, fish, casseroles, and vegetables even desserts. It is all about taste, and lots of it.

---

**SENSECOOK. JUST SENSATIONAL.**  
Rare. Medium. Well done. At your command with SenseCook. Select how you would like your food cooked, insert the Food Sensor, and your oven will do the rest. Without even opening the oven door, everything from tender joints of meat to molten chocolate fondants are controlled and mastered. At last, an oven that speaks your language.

**CONTROL AND PRECISION**  
The responsive touch-screen TFT display gives intuitive access to the different functions of the oven and provides you with direct feedback, ensuring you have full control at your fingertips.

---

## THE PERFECT RISE

The warming drawer is the ideal environment for your dough to rise when baking bread. Now you can turn out home-made loaves with the perfect shape and scrumptious texture created by a professional baker.

## YOUR BUILT-IN COOKING GUIDE

160 specially designed pre-set recipe programs mean you can select the dish you want to cook and let the oven do the rest.

---

## Specifications

### PRODUCT PROFILE

Domestic warranty details (yrs)	5
Type of Oven	compact steam oven
Oven fuel	electric
Materials/Colour	matte black
Controls of Oven	TFT touchscreen
Cooling fan	Yes

### FLUSH FIT CUT OUT

Flush fit cut out height (mm)	460
Flush fit cut out width (mm)	600
Flush fit cut out depth (mm)	570

### DIMENSIONS

#### PRODUCT DIMENSION

Total height (mm)	455
Total width (mm)	594
Total depth (mm)	567

### MAIN OVEN

Gross capacity litres	49
Useable capacity litres	43
Oven function	full steam and multifunction
Number of functions	22

## MAIN OVEN

Oven Functions	pizza,grill,keep warm,defrost,conventional cooking,bottom heat,turbo grill,true fan cooking,bread baking,browning/ au gratin,dough proving,frozen foods,full steam,moist fan baking,plate warming,preserving,slow cooking,humidity cooking high,humidity cooking low,steam regenerating,STEAMIFY®,Dehydrating
----------------	---

Oven liner	enamel
------------	--------

Timer functions	duration,end,Auto off ,Cook time,End time,Time of day,24 hour clock
-----------------	---

Light wattage	40
---------------	----

## ELECTRICAL CONNECTION

Connected load KW	3.0
-------------------	-----

Maximum current rating (amps)	16
-------------------------------	----

Type of connection	hardwired
--------------------	-----------

## OTHER FEATURES

Number of Programmed functions	225
--------------------------------	-----

Auto cook programs	Yes
--------------------	-----

Auto weight programs	Yes
----------------------	-----

Cleaning	steam
----------	-------

Door	removable door,drop down,IsoFront cool door,Soft close
------	--

Timer	Programmable timer
-------	--------------------

## OTHER FEATURES

Lights	1
Light wattage	40
Light position	top
Shelf support	multi position side racks
Number of shelves	1
Safety features	isofront plus quadruple glazed door
Closed door grilling	Yes
Included accessories	dripping pan, cake tray, wire shelf stainless steel, steam set
Layers of glass in door	4
Number of shelf positions	4
Food probe	Yes

## SHIPPING

Shipping Volume (m3)	0.236
Shipping Weight (Kg)	36.6

## SHIPPING

---

Pack Dimensions Height (mm)	555
--------------------------------	-----

---

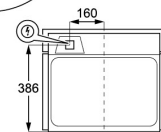
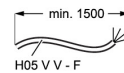
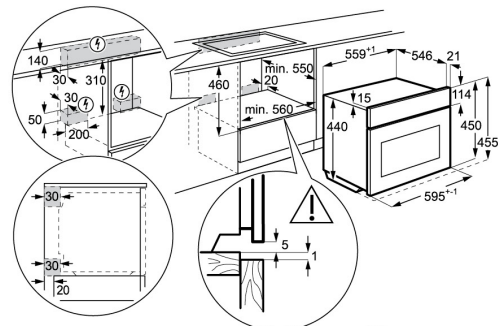
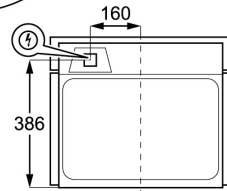
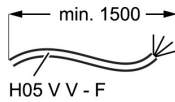
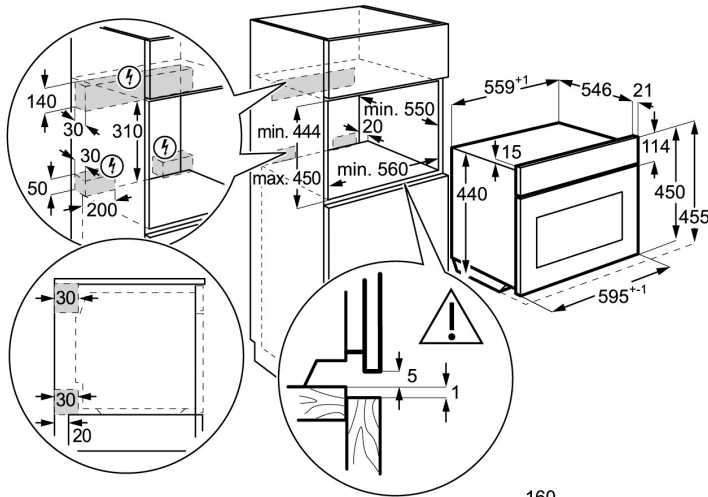
Pack Dimension Width (mm)	635
------------------------------	-----

---

Pack Dimension Depth (mm)	670
------------------------------	-----

---

## Dimensions



### IMPORTANT

These dimensions are a guide only. All measurements are in millimetres (mm).  
For complete installation instructions, refer to the manual provided with product.



## Terms and Conditions

### IMPORTANT

This is a guide of product dimensions only. For complete installation instructions, refer to the manual provided with product.

### PRODUCT INFORMATION

The descriptors and illustrations in this publication apply to the specific products and models described as at the date of issue. Under our policy of continuous product development, product specifications may change without notice. Prospective purchasers should therefore check with their retailer to ensure this publication correctly describes the products that are being offered for sale. All information supplied is to be used for general reference purposes only and is on the understanding that Electrolux Home Products Pty Ltd (Australia) and Electrolux (NZ) Ltd (New Zealand) will not be liable for any loss, liability or damage of whatever kind arising as a result of reliance on such information. Colours of products illustrated are as close as printing limitations allow. Electrolux will at all times comply with its obligations pursuant to law including Trade Practices (Australian Consumer Law) Act and Regulations.

### WARRANTY

Electrolux Home Products warrants that for domestic applications the AEG appliances featured are free from defects in materials and workmanship for 5 years (3 months warranty for commercial applications). All warranties are subject to the conditions set out in the warranty card accompanying the product when purchased.

#### ELECTROLUX HOME PRODUCTS AUSTRALIA

telephone: 1300 363 664

fax: 1800 350 067

email: [customercare@aegaustralia.com.au](mailto:customercare@aegaustralia.com.au)

web: [www.aeg.com/au](http://www.aeg.com/au)

#### ELECTROLUX HOME PRODUCTS NEW ZEALAND

telephone: 0800 10 66 10

fax: 09 573 2221

email: [customercare@electrolux.co.nz](mailto:customercare@electrolux.co.nz)

web: [www.aeg.com/au](http://www.aeg.com/au)