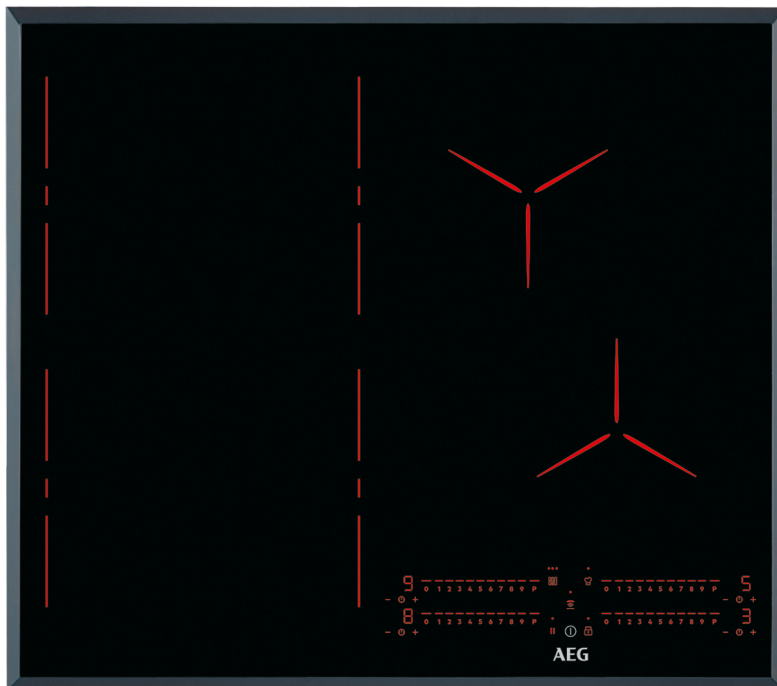


60cm Pure FlexiBridge induction cooktop with ProCook function, touch slide controls and Hob2Hood.
RRP AUS \$2,799.00



Product Details

FEATURES

Pure black surface

Hob2Hood

ProCook function

FlexiBridge function

Touch slide controls

OptiHeat control

Pause Function

Minute Minder

Ok timer

Function control lock

BENEFITS

Blends seamlessly into kitchen surrounds

The unique pure black surface and bevelled edges align perfectly with every kitchen style. When the hob is switched off, the ceramic glass surface is completely black. While powered, the surface illuminates to reveal red LED backlit controls and the OptiZone cooking surfaces.

Hob2Hood

Leave Hob2Hood to regulate the fan while you concentrate on the key moments involved in getting your dish just right. It will automatically control your rangehood's fan and lights.

ProCook

At the touch of a button, the FlexiBridge cooking zone switches to three pre-set temperature levels: high, medium and low so you can simply move the pan to seamlessly go from boil to simmer.

Combine zones to cook more with FlexiBridge

Activated by a dedicated touch key and seamlessly controlled through one control, FlexiBridge is perfect for cooking larger dishes.

OptiHeat™ control by monitoring each heat zone

The OptiHeat™ control helps you make the most efficient use of residual heat. It advises 3 levels of residual heat whether the heat zone is still hot enough to cook with, hot enough to keep food warm, or simply hot to touch.

Specifications

PRODUCT PROFILE

Domestic warranty details (yrs)	5
Cooktop type	Induction
Materials/Colour	
Trim finish	bevelled sides only
Removable trim (for cleaning)	No

DIMENSIONS

Total product width (mm)	650
Total product depth (mm)	520
Cut out width (mm)	590
Cut out depth (mm)	490

CONTROLS

Controls of Cooktops	Touch and Slide controls
Position of controls	front
Functions of Cooktops	automatic switch off, FlexiBridge, acoustic signal, booster, Hob2Hood, timer, pause, ProCook
Indicators/display	fault indicator, 3 level residual heat indicator
Features of Cooktop	minute minder, function lock, sound off, pot sensors, Hob2Hood Connectivity, FlexiBridge zone

ELEMENTS/BURNERS

LEFT FRONT ZONE

Left front zone	FlexiBridge
Left front Watts	2300
Left front boost watts	3200
Left front diameter	220

CONTROLS

Timer of Cooktop Oko timer, Minute minder

LEFT REAR ZONE

Left rear zone FlexiBridge

Left rear watts 2300

Left rear diameter 220

RIGHT FRONT ZONE

Right front zone induction

Right front Watts 1400

Right front diameter 145

RIGHT REAR ZONE

Right rear zone induction

Right rear watts 1800

Right rear diameter 180

ELECTRICAL SPECIFICATIONS

Connected load KW 7.4

Type of connection hardwired

SHIPPING

Shipping Weight (Kg) 13

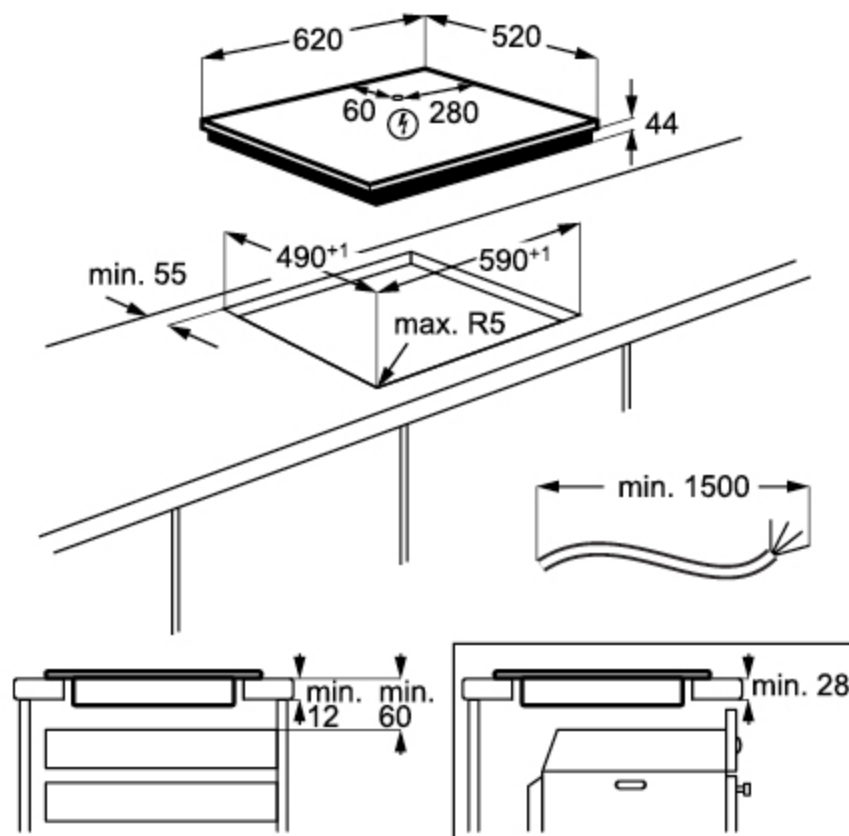
Pack Dimensions Height
(mm) 118

Pack Dimension Width
(mm) 678

SHIPPING

Pack Dimension Depth (mm)	600
------------------------------	-----

Dimensions



IMPORTANT

These dimensions are a guide only. All measurements are in millimetres (mm).
For complete installation instructions, refer to the manual provided with product.

Terms and Conditions

IMPORTANT

This is a guide of product dimensions only. For complete installation instructions, refer to the manual provided with product.

PRODUCT INFORMATION

The descriptors and illustrations in this publication apply to the specific products and models described as at the date of issue. Under our policy of continuous product development, product specifications may change without notice. Prospective purchasers should therefore check with their retailer to ensure this publication correctly describes the products that are being offered for sale. All information supplied is to be used for general reference purposes only and is on the understanding that Electrolux Home Products Pty Ltd (Australia) and Electrolux (NZ) Ltd (New Zealand) will not be liable for any loss, liability or damage of whatever kind arising as a result of reliance on such information. Colours of products illustrated are as close as printing limitations allow. Electrolux will at all times comply with its obligations pursuant to law including Trade Practices (Australian Consumer Law) Act and Regulations.

WARRANTY

Electrolux Home Products warrants that for domestic applications the AEG appliances featured are free from defects in materials and workmanship for 5 years (3 months warranty for commercial applications). All warranties are subject to the conditions set out in the warranty card accompanying the product when purchased.

ELECTROLUX HOME PRODUCTS AUSTRALIA

telephone: 1300 363 664

fax: 1800 350 067

email: customercare@aegaustralia.com.au

web: www.aeg.com/au

ELECTROLUX HOME PRODUCTS NEW ZEALAND

telephone: 0800 10 66 10

fax: 09 573 2221

email: customercare@electrolux.co.nz

web: www.aeg.com/au