



The fitting of the appliance should only be carried out by a authorised person/licensed gasfitter. Please read the safety regulations. See the data plate for information regarding the total gas consumption, gas type and gas pressure.

Preparations for installation

Pictograms used

Important information

Gas connection

Electrical connection

Free space around appliance

A (>mm) 650 C (>mm) 450 D (>mm) 40 E (> mm) 120

This appliance must be earthed

The electrical connection must comply with national and local regulations.

Connected load

	L1 (W)	L2 (W)	L3 (<W)	Total load (W)
HIG1995AD	3700	3700	5	7405

1/2" ISO 228 / 1/2" ISO 7-1

The gas connection must comply with national and local regulations.

The hotplate can be connected with rigid pipe as specified in AS/NZS 5601.1 current edition.

When the appliance is connected with a hose assembly, the supply point shall be accessible with the appliance installed.

	A (mm)	B (mm)	C (mm)	D (mm)	E (mm)
HIG1995AD	904	522	54	265	180

	A (mm)	B (mm)	C (mm)	D (>mm)	E (>mm)	F (>mm)	G	H
HIG1995AD	600	860	490	60	40	50	66	100

Accessibility!

Y: metal Gas supply valve shall be accessible

X: safety hose Gas supply valve shall be accessible

$y > 60^\circ \text{C}$

$x < 60^\circ \text{C}$

Placing sealing tape

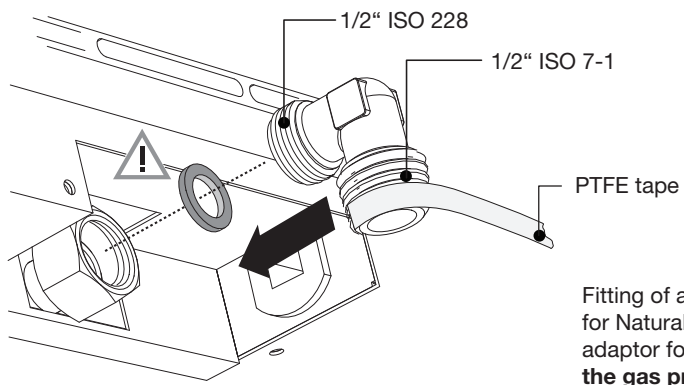
Worktop

C

varnish



Gas connection



Fitting of appliance regulator for Natural gas or test point adaptor for LPG. **Check and set the gas pressure with appliance operating!**

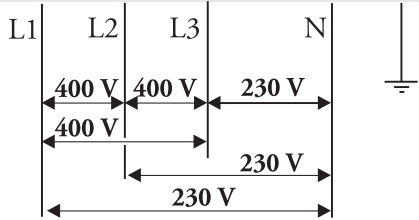
GAS	BURNER	INJECTOR BURNER (MM)	ADJ. SCREW (MM)	BURNER RATE (MJ/h)	GAS PRESSURE (kPa)
N.G.	Wok (inner)	1.20 + 0.66	0.60	8.80	1.0
	Wok (outer)	2.10 + 0.66	0.60	19.70	
ULPG	Wok (inner)	0.63 + 0.40	0.34	7.50	2.75
	Wok (outer)	1.00 + 0.40	0.34	14.80	



Electrical connection

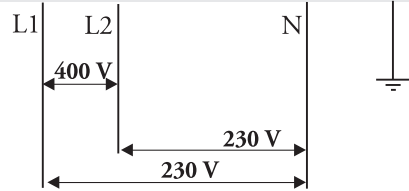
3N 380-415V 50/60Hz - 3x 16A
3 phases - 1 neutral

Cross sectional area 5x1,5mm²



2N 380-415V 50/60Hz - 2x 16A
2 phases - 1 neutral

Cross sectional area 4x1,5mm²

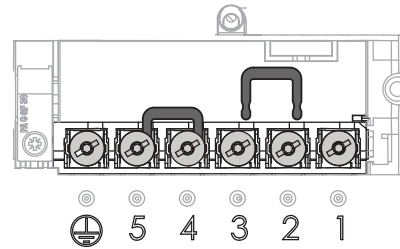
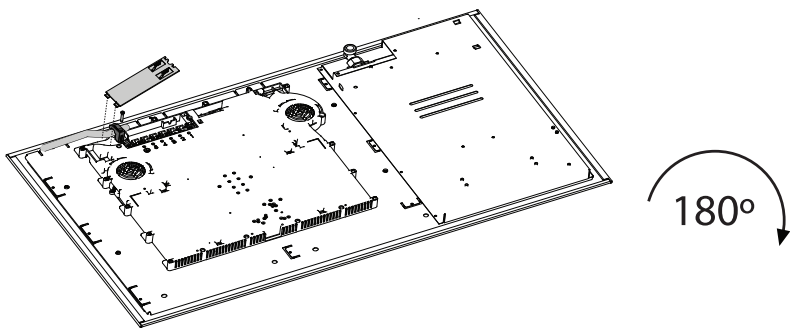


1N 220-240V 50/60Hz - 1x 32A
1 phase - 1 neutral

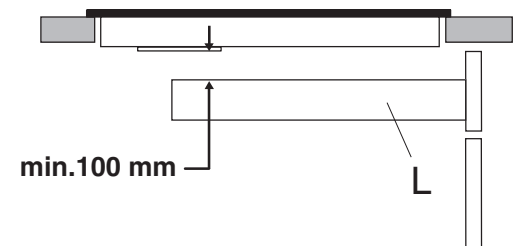
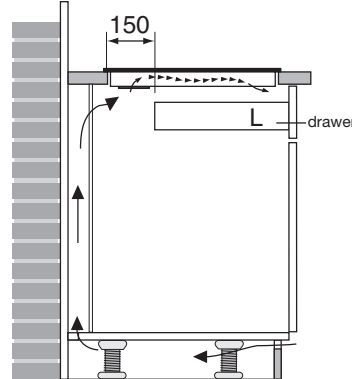
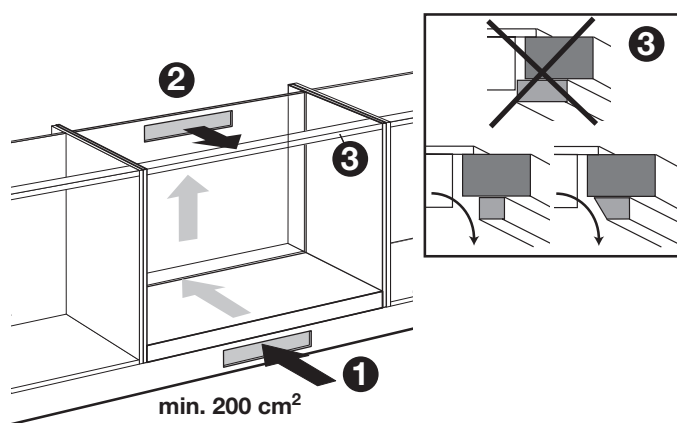
Cross sectional area 3x4mm²



Consult the wiring diagrams on the underside of the appliance/Make the required connections on the connecting block.



Ventilation



Check that the connections are gastight.