

# BCT60GX

## 60cm Stainless Steel Gas Cooktop



Cast Iron Pan Support



High Efficiency Gas Burners



High Power Wok Burner



Integrated Electronic Ignition



Flame Failure Safety

### Main Features

Cooking Zones:	3 x Standard Burners, 1 x Wok Burner
Control Type:	Front Controls
Construction Type:	Stainless Steel
Cast Iron Trivet:	Yes
Cooking Levels:	Variable
Cast Iron Wok Adapter:	Yes
Burner Caps:	Cast Iron
Adapt for LPG Gas:	Yes, via Included conversion kit
Suitable for Natural Gas:	Yes (factory configuration)
Gas Consumption:	37.1 Mj/h

### Dimensions & Weights

Built-in dimensions (W x D):	560 mm x 480- 490 mm
Unpacked height:	46 mm
Unpacked width:	580 mm
Unpacked depth:	510 mm
Unpacked weight:	11.5 kg
Packed height:	180 mm
Packed width:	670 mm
Packed depth:	600 mm
Packed weight:	13 kg

### Control Features

Electronic Ignition:	Yes
----------------------	-----

### Safety

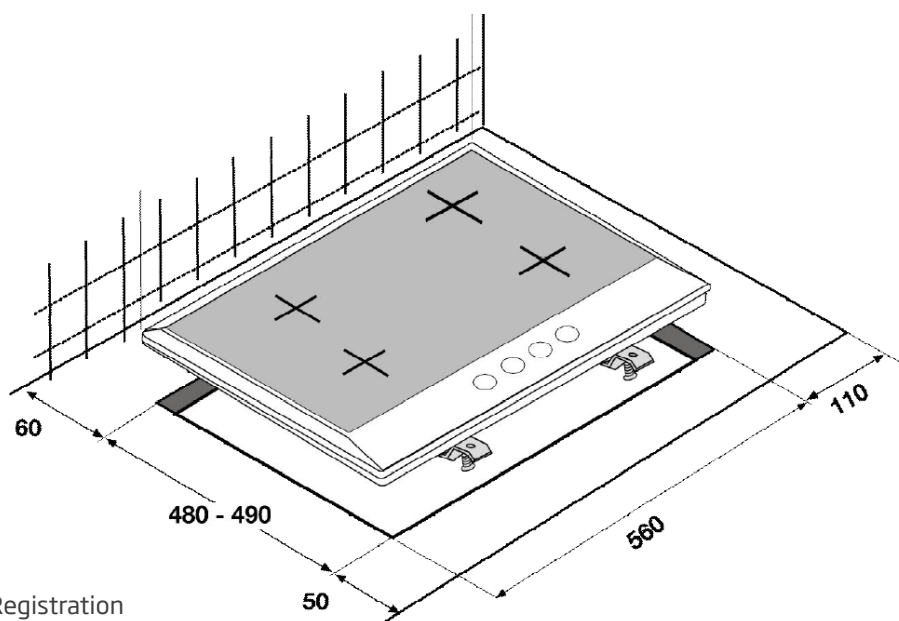
Flame Failure Device	Yes
----------------------	-----

### Cooktop Zones

Rear Left Zone:	7.0 Mj/h
Rear Right Zone:	7.0 Mj/h
Front Left Zone:	19.0 Mj/h
Front Right Zone:	4.1 Mj/h

Ean Code:	8690842122743
Manufacturers Warranty:	2 Years + 3 Years by Registration

Launch Date: February 2018

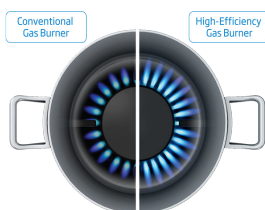


# BCT60GX

## 60cm Stainless Steel Gas Cooktop



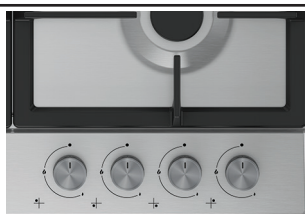
**Cast Iron Pan Supports** - Offering maximum stability for your pots and pans while you cook, the durable cast iron pan supports will also add a professional touch to your kitchen.



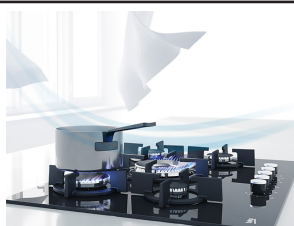
**High Efficient Gas Burners** - Helping you save money on your energy bills, the special design of our high efficiency gas burners helps them distribute more heat quickly and evenly across the bottom of your pan. This makes them up to 25% more efficient than standard burners and can cut down cooking times too, helping you get dinner on the table up to 35% quicker.



**High Power Wok Burner** - Great for cooking stir fry, the wok burner evenly distributes high power heat across the bottom of your pan. Not only does this improve cooking performance, but it can also save you time in the kitchen by cooking your food faster too.



**Integrated Electronic Ignition** - Using your hob is quick and easy thanks to the auto ignition. Simply press and turn the dial to begin cooking straight away.



**Flame Failure Safety** - Providing peace of mind, this device will automatically cut off the gas supply if the flame accidentally goes out.

