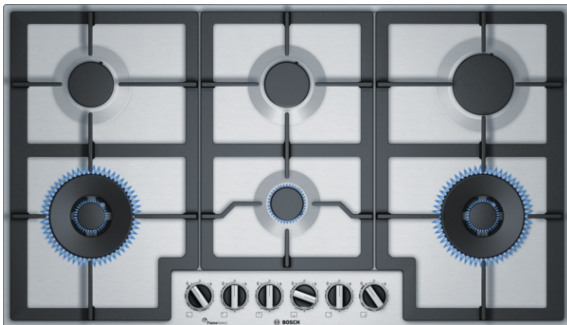


**Serie | 6, Gas hob, 90 cm,
PCT9A5B90A**



Included accessories

1 x cross support for espresso
1 x WOK attachment ring

**The stainless-steel gas cooktop with
FlameSelect: achieve perfect cooking
results thanks to nine precisely defined
power levels.**

- **FlameSelect:** for a precise adjustment of the flame in nine defined levels.
- **Dual wok burner:** dual flame system for very powerful cooking at up to 19.5 Mj/h.
- **Continuous cast-iron pan support:** for high firmness and stability of cookware.
- **Sword knobs:** for an ergonomic control.
- **Surface colour:** Stainless steel

Technical Data

| | |
|---|--|
| Product name/family : | gas hob w integrated controls |
| Construction type : | Built-in |
| Energy input : | Gas |
| Total number of positions that can be used at the same time : | 6 |
| Required niche size for installation (HxWxD) : | 45 x 850-852 x 490-502 |
| Width of the product (mm) : | 915 |
| Dimensions of the product (mm) : | 45 x 915 x 520 |
| Dimensions of the packed product (HxWxD) (mm) : | 165 x 1116 x 659 |
| Net weight (kg) : | 20.766 |
| Gross weight (kg) : | 23.0 |
| Residual heat indicator : | without |
| Location of control panel : | Hob front |
| Basic surface material : | Stainless steel |
| Color of surface : | Stainless steel |
| Color of frame : | Stainless steel |
| Approval certificates : | Australia Standards, Australia Standards |
| Length electrical supply cord (cm) : | 100 |
| EAN code : | 4242002914626 |
| Electrical connection rating (W) : | 1 |
| Gas connection rating (W) : | 17500 |
| Current (A) : | 3 |
| Voltage (V) : | 220-240 |
| Frequency (Hz) : | 60; 50 |



Serie | 6, Gas hob, 90 cm, PCT9A5B90A

**The stainless-steel gas cooktop with
FlameSelect: achieve perfect cooking results
thanks to nine precisely defined power
levels.**

Design

- Stainless steel
- Enamelled cast-iron trivets with rubber feet

Comfort & Convenience

- FlameSelect (9 steps)
- sword knobs
- One-hand electronic ignition via controls

Size & Power

- 6 Gas burners
- Dual flame wok burner
- 1 High-speed, 2 Standard, 1 Economy, 2 Dual Wok burners
- Left rear: Standard burner 6.85 Mj/h
- Left front: Wok burner 19.5 Mj/h
- Center rear: Standard burner up to 6.85 Mj/h (depending on gas type)
- Center front: Economy burner up to 3.8 Mj/h (depending on gas type)
- Right rear: High-speed burner 11 Mj/h
- Right front: Wok burner 19.5 Mj/h

Safety and Environment

- Flame failure device fitted to each individual burner
- Preset to natural gas (10mbar)
- Preset to natural gas (10mbar)

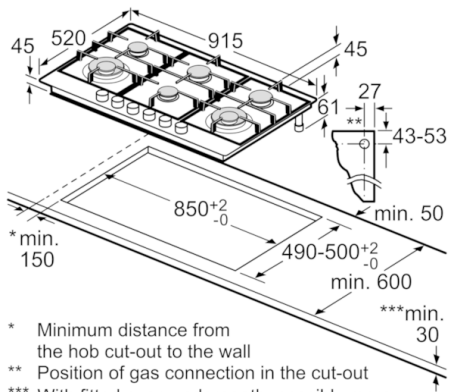
Dimensions (WxD)

- Appliance dimensions: (W x D) 915 mm x 520 mm
- Installation dimensions: (H x W x D) 45 mm x 850 mm x 490 mm
- Power cord length 100 cm with plug

Supplied Accessories

- Liquid gas nozzles (28-30/37mbar) included

**Serie | 6, Gas hob, 90 cm,
PCT9A5B90A**



- * Minimum distance from the hob cut-out to the wall
 - ** Position of gas connection in the cut-out
 - *** With fitted oven underneath, possibly more; see space requirements for the oven
- measurements in mm