

**Serie | 6, washing machine, front loader, 10 kg, 1400 rpm
WGA254U0AU**



Optional accessories

WMZ2200 :

WMZ2381 :

10kg capacity washing machine with the innovative Anti-Stain function and EcoSilence Drive brushless motor for durability and quiet washing

- **AntiStain:** reliably removes 4 common stains.
- **EcoSilence Drive™:** quiet and energy-efficient drive, with a 10-year warranty.
- **AllergyPlus:** developed for allergy sufferers and people with sensitive skin.
- **SpeedPerfect:** perfectly clean in up to 65% less time*.
- VarioDrum's breakthrough wave-droplet design provides a thorough yet gentle clean for fine textiles

Technical Data

Built-in / Free-standing : Freestanding
 Door hinge : Left
 Color / Material body : White
 Length electrical supply cord : 160 cm
 Height for building under : 860.00 mm
 Height of the product : 848 mm
 Dimensions of the product : 848 x 598 x 590 mm
 Wheels : No
 Net weight : 80.895 kg
 Drum volume : 70 l
 Main colour of product : White
 Door Frame : Silver-inox, black-grey
 Noise level washing : 44 dB(A) re 1 pW
 Connection Rating : 1900 W
 Fuse protection : 10 A
 Voltage : 220 V
 Frequency : 50 Hz
 Energy Star Qualified : Yes
 Cord Included : Yes
 Plug type : AU plug
 Length of drain hose (in) : 59.05
 Length of supply hose (in) : 59.05
 Appliance Dimensions (h x w x d) (inches) : x x
 Dimensions of the packed product : 35.03 x 26.57 x 27.95
 Net weight : 178.000 lbs
 Gross weight : 187.000 lbs
 Length of drain hose : 150.00 cm
 Length of supply hose : 150.00 cm
 Dimensions of the packed product (HxWxD) : 890 x 710 x 675 mm
 Gross weight : 85.0 kg
 Connection Rating : 1900 W
 Fuse protection : 10 A
 Voltage : 220 V
 Frequency : 50 Hz
 Approval certificates : Australia Standards, CE, VDE
 Energy consumption : 0.74 kWh
 Water consumption : 86 l
 Water protection system : AquaSecure
 Number of Options : 9
 Maximum spin speed : 1400 rpm
 Spin speed options : Variable
 Digital countdown indicator : Yes
 Drying progress indicator : LED display shows the status the program is currently in (eg, washing, rinsing)



Serie | 6, washing machine, front loader, 10 kg, 1400 rpm WGA254U0AU

10kg capacity washing machine with the innovative Anti-Stain function and EcoSilence Drive brushless motor for durability and quiet washing

Capacity

- Capacity: 10 kg

Consumption rates

- 5 Star energy rating
- 4.5 Star water rating (WELS)
- 86 litres water consumption per wash and 237 kWh energy consumption per year, based on the Cotton Eco program with 60°C temperature setting, 1400 spin speed, and a cold water connection

Programs

- Standard programs:
 - Cottons: hard-wearing items made from cotton, linen or blended fabrics
 - Cotton Eco: energy-saving program
 - Easy care: items made from synthetic or blended fabrics
 - Delicate/Silk: delicate, washable items made from silk, viscose and synthetics
 - Wool: hand or machine washable items that are made from wool or contain wool
- Additional specialty programs:
 - AllergyPlus/Hygienic: suits items that need to be hygienically clean such as towels, bed sheets or pillow cases
 - Drum Clean: cleaning and care program for the drum with reminder function
 - Kidswear: energy optimised program for heat-resistant items made of cotton or linen
 - Mixed: lightly soiled items made from cotton, linen, or blended fabrics
 - Spin/Drain: spins and drains the water
 - Sportswear: sports and leisure items made from synthetic fibres, microfibre or fleece
 - Rinse: rinses and then spins the laundry, and then drains the water
 - Quilts: items stuffed with down and synthetic fibres, such as pillows, quilts and bedspreads
 - Super 15'/30': short program for small lightly soiled items

Performance

- Automatic stain removal system with 4 stain options - activatable with standard programs. Simply select the type of stain on the display and then the temperature, drum

movement and soaking time will automatically adjust to the optimal settings

- ActiveWater Plus: for highly efficient use of water even with small loads thanks to automatic load detection.
- EcoSilence Drive: quiet, durable, and energy-efficient brushless motor (BLDC) with 10-year motor warranty
- VarioDrum: thorough yet gentle washing thanks to the unique drum structure design
- Spin speed 0 - 1400 rpm

Design

- Large LED display for program status, temperature, spin speed, and time remaining
- AntiVibration Side Panels reduce vibrations and noise levels, making it extremely quiet during the spin cycle

Convenience

- TouchControl buttons include:
 - Easy Iron: reduces creasing thanks to a special spin sequence
 - Prewash options for stubborn stains and heavily soiled garments
 - Finish in (delayed start): delay the start of the program by up to 24 hours
 - Rinse Plus: Adds more rinse cycles, suited for highly soiled clothing
 - SpeedPerfect: allows you to reduce the wash program time
 - Spin Speed: manually adjust the spin speed
 - AntiStain selection: select stain type, tea, oil, blood, cosmetics
 - Start/Pause with Reload function: allows you to add a forgotten garment even after the wash cycle has started
 - Temperature selection: manually adjust the temperature
- Reload function to pause machine operation for adding in last minute laundry items
- Self cleaning detergent drawer to remove detergent residue
- Drum Clean reminder function: the LED indicator will flash when a drum clean is required
- SpeedPerfect: perfectly clean in up to 65% less time.
- Large porthole, Silver-inox, black-grey with 165° door for easy loading/unloading

Safety

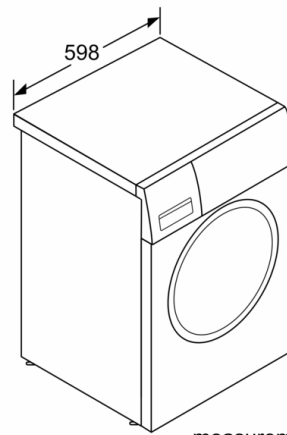
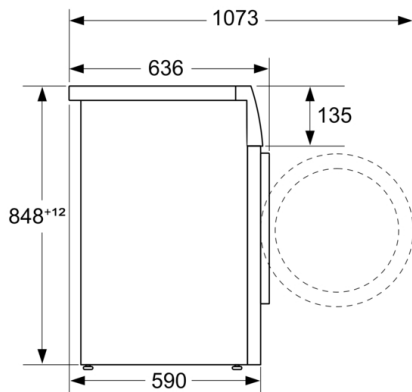
- AquaSecure anti-flood protection with self-sealing hose, minimises the risk of flooding
- Child lock for door and buttons

Technical Information

- Dimensions (H x W x D): 84.8 cm x 59.8 cm x 59.0 cm (63.6 cm including door handle)
- Operating noise level (based on Cotton 60°C program): wash 44 / 69 spin dB(A)

**Serie | 6, washing machine, front loader, 10
kg, 1400 rpm
WGA254U0AU**

measurements in mm



measurements in mm