

# *the Smart Dry™ 2-in-1 Viral Protect*

Instruction Book - LAD708



**Breville®**



## Contents

2	Breville Recommends Safety First
7	Components
8	Control Panel
9	Features
10	Assembly
11	Functions
15	Wi-Fi Connectivity & Voice Assistants
18	Care, Cleaning & Storage
21	Troubleshooting

## BREVILLE RECOMMENDS SAFETY FIRST

At Breville we are very safety conscious. We design and manufacture consumer products with the safety of you, our valued customer, foremost in mind. In addition, we ask that you exercise a degree of care and adhere to the following precautions.

## IMPORTANT SAFEGUARDS

### READ ALL INSTRUCTIONS BEFORE USE AND SAVE FOR FUTURE REFERENCE

- Carefully read all instructions before operation and save for future reference.
- Remove and safely discard any packaging material and promotional labels from both the dehumidifier and the air filter before using for the first time.
- To eliminate a choking hazard for young children, remove and safely discard the protective cover fitted to the power plug of this dehumidifier.
- When unpacking the dehumidifier, check to see you have received all the items listed in the parts list before discarding the packaging.
- The dehumidifier is intended for household use only and not for commercial or industrial use. Do not use outdoors.
- Always ensure the dehumidifier is properly assembled before use. Follow the instructions provided in this booklet.
- Do not place the dehumidifier near the edge of a bench or table during operation. Ensure

the surface is level, clean and free of water.

- Do not run the cord under carpeting or cover the cord with rugs, runners or the like. Arrange the cord away from traffic areas and where it will not be tripped over.
- Do not route the power cord under furniture or appliances.
- Do not operate the dehumidifier with a damaged cord or plug, or if the dehumidifier has been dropped or damage in any manner, return the dehumidifier to your nearest Breville service centre for examination, electrical or mechanical adjustment or repair.
- To protect against electrical hazards, do not immerse any part of the dehumidifier in water or other liquids. Do not use the dehumidifier in the immediate surroundings of a bath, shower or swimming pool.
- The appliance shall be stored in a room without continuously operating ignition sources (such as open flames, an operating gas appliance or an operating electric heater).
- Do not pierce or burn the dehumidifier.
- Be aware that refrigerants may not contain an odour.
- Water in the water tank is not suitable for drinking. Do not drink this water, and do not serve to animals or use to water plants. Dispose of the water down a drain.
- Always turn off and unplug the dehumidifier before moving, removing the water tank, changing filters, cleaning or whenever the dehumidifier is not in use.
- Do not unplug the dehumidifier by pulling on the cord. Use the plug to disconnect.
- Never block the air openings, grilles and outlets, or place on a soft surface such as a bed or sofa as this could cause the unit to tip over, blocking the air inlet or outlet.
- Never insert fingers, pencils or any other objects through the grilles whenever the power plug is connected, in particular while the dehumidifier is switched on.
- Do not place anything on top of the dehumidifier when assembled, when in use and when stored.

- Do not use the dehumidifier with an external timer, programmer or any other device that switches the dehumidifier on automatically since a fire risk may exist if the dehumidifier is covered or positioned incorrectly.
- Do not attempt to repair or adjust any electrical or mechanical functions on this unit. Doing so will void your warranty. The inside of the unit contains no user serviceable parts. All servicing should be performed by qualified personnel only.
- If the dehumidifier ever tips or falls over when the water reservoir is full, immediately unplug the power cord. Ensure the unit is dried thoroughly before resuming operation.
- Keep the dehumidifier and air filter clean. Follow the cleaning instructions provided in this book.

Dehumidification Capacity	25 Litres <sup>^</sup> /day (30°C 80%) 21 Litres <sup>^^</sup> /day (30°C 80%)
Product Dimension	340 x 240 x 570mm
Water Tank Capacity	6.5L
For Room Size	Large Room - Up to 60m <sup>2</sup>
Noise Level	48 dBa
Power Consumption	420W
Weight	14.25kg
Refrigerant	R290, 65g
Current fuse	250V AC, 3.15A

<sup>^</sup> without filter

<sup>^^</sup> with HEPA-13 filter

## IMPORTANT SAFEGUARDS FOR ALL ELECTRICAL APPLIANCES

- Fully unwind the power cord before use.
- Connect only to a 230V or 240V power outlet.
- Do not let the power cord hang over the edge of a bench or table, touch hot surfaces or become knotted.
- To protect against electric shock, do not immerse the power cord, power plug or appliance in water or any other liquid or allow moisture to come in contact with the part, unless it is recommended in the cleaning instructions.
- The appliance is not intended for use by persons (including children) with reduced physical, sensory or mental capabilities, or lack of experience and knowledge, unless they have been given supervision or instruction concerning use of the appliance by a person responsible for their safety.

- Children should be supervised to ensure that they do not play with the appliance.
- It is recommended to regularly inspect the appliance. To avoid a hazard, do not use the appliance if power cord, power plug or appliance becomes damaged in any way. Return the entire appliance to the nearest authorized Breville Service Centre for examination and/ or repair.
- Any maintenance other than cleaning should be performed at an authorised Breville Service Centre.
- This appliance is for household use only. Do not use this appliance for anything other than its intended use. Do not use in moving vehicles or boats. Do not use outdoors. **Misuse may cause injury.**
- The installation of a residual current device (safety switch) is recommended to provide additional safety protection when using electrical appliances. It is advisable that a safety switch with a rated residual operating current not exceeding 30mA be installed in the electrical circuit supplying the appliance.
- R290 is a refrigerant gas that complies with EC environmental regulations, nevertheless avoid perforating the refrigerant circuit of the appliance. At the end of its service life, the dehumidifier must be disposed of at a suitable collection centre.
- See your electrician for professional advice.
- During electrical storms, the appliance should be disconnected from the power source at the wall socket to prevent any electrical surges that may arise during the storm and which may inadvertently cause damage to the appliance and its electronic componentry.
- Always turn the appliance to the off position, switch off at the power outlet and unplug at the power outlet when the appliance is not in use.
- Before cleaning, always turn the appliance to the off position, switch off at the power outlet, unplug at the power outlet and remove the power cord, if detachable, from the appliance and allow all parts to cool.
- Do not place this appliance on or near a heat source, such as hot plate, oven or heaters.

- Position the appliance at a minimum distance of 20cm away from walls, curtains and other heat or steam sensitive materials and provide adequate space above and on all sides for air circulation.



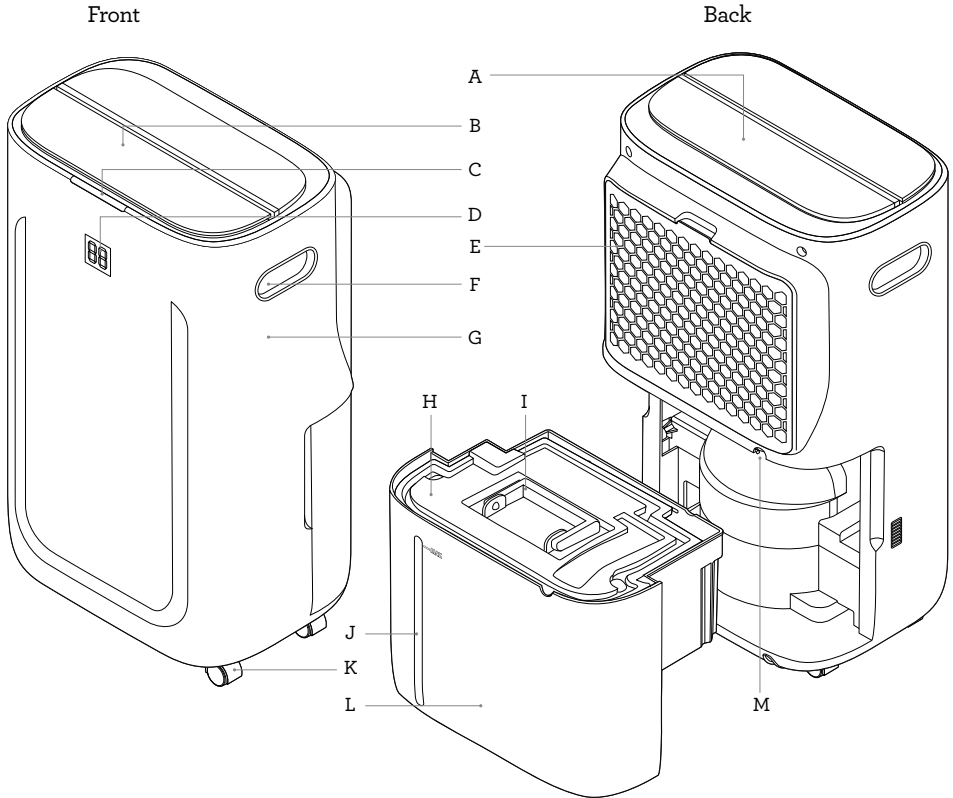
### **WARNING**

To avoid electric shock, do not connect the plug to the power outlet when hands are wet.

**FOR HOUSEHOLD USE ONLY  
SAVE THESE INSTRUCTIONS**



## Components



- A. Control Panel
- B. Air Outlet Grille with Air Deflector
- C. SensAir™ System Live Humidity Indicator Light
- D. Real Time Visual Humidity Display
- E. Air Inlet Grille & Filter Holder
- F. Handles
- G. Housing Body
- H. Water Tank Cover

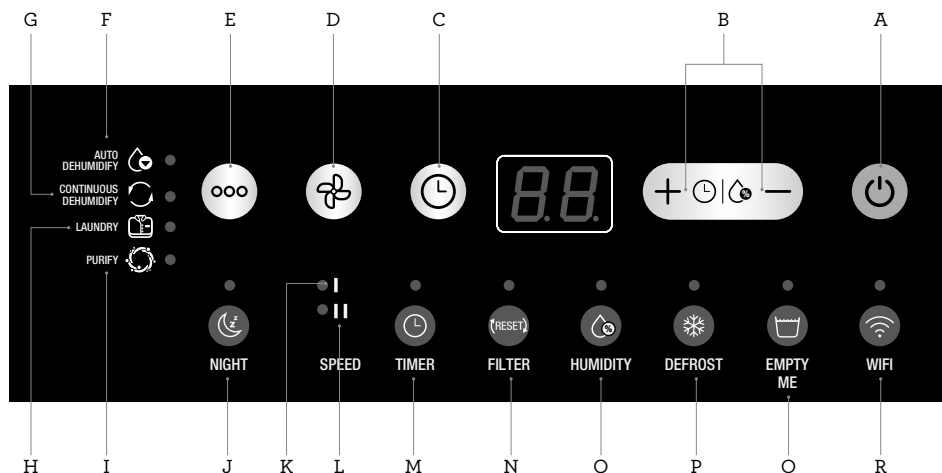
- I. Water Tank Handle
- J. Water Level Window
- K. Castor Wheels
- L. Water Tank
- M. Continuous Drainage

### Not pictured

- Drainage Hose (1 metre)
- AntiViral HEPA-13 Filter



## Control Panel



### CONTROL PANEL BUTTONS

- A. ON/OFF & Wi-Fi
- B. + and -
- C. Timer
- D. Fan Speed
- E. Mode

### DISPLAY INDICATOR LIGHTS

- F. Auto
- G. Continuous
- H. Laundry
- I. Purify
- J. Night
- K. LOW Fan Speed
- L. HIGH Fan Speed
- M. Timer
- N. Filter Reset
- O. Humidity
- P. Defrost
- Q. Empty Me
- R. Wi-Fi





## Features

### **WHAT IS A 2IN1 DEHUMIDIFIER WITH AIR PURIFIER?**

**The Smart Dry 2in1 Viral Protect (LAD708) is a Dehumidifier and Air Purifier in one.**

The Dehumidifier function is to extract moisture to reduce and maintain humidity levels in the environment to provide a level of comfort in your surroundings. Excess moisture in an environment is problematic and can develop into mould and mildew.

The Smart Dry 2in1 Viral Protect is efficient for large rooms and has high dehumidifying ability to extract 21L of water volume daily and a large 6.5L water tank.

The Air Purifier's function is to clean the air of impurities such as airborne allergens and dust particles. The Air Purification function can be used with dehumidification or purify only.

### **How the Smart Dry 2in1 Viral Protect Works?**

The Smart Dry 2in1 Viral Protect regulates the relative humidity of your home by extracting moisture to reduce and maintain humidity levels in the environment, passing it over cooled evaporator coils causing the moisture to condense into water. The water is dispensed into the water tank or through the drainage hose. During this process, the Air Purifier filters and cleans the air through the 3 stage air filtration to deliver cleaner air back into the surrounding environment.

### **What is Relative Humidity?**

Relative humidity is the amount of water vapour in the air and it is commonly expressed as a percentage of the maximum amount of water vapour that the air can hold at a given temperature. A comfortable %RH level is commonly considered to be between 40-60%RH.

### **BREVILLE HOME CONNECT**

The Breville Smart Dry 2in1 Viral Protect may be operated from your smart phone using the Breville Home Connect app. Go to Wi-Fi Connectivity & Voice Assistant in this book for details.



# Assembly

## BEFORE FIRST USE

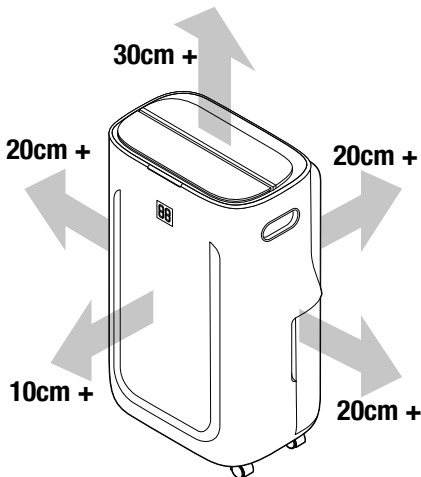
1. Remove and safely discard any packaging material and check for any missing or damaged parts before discarding.
2. Open the air inlet grille at the back of the unit and remove the AntiViral HEPA-13 filter. Remove packaging before first use, or when cleaning and reassembling as per the Care, Cleaning & Storage section of this booklet.



### IMPORTANT

Remove packaging from the filter before operating.

3. Using the carry handles, position the 2in1 Dehumidifier at least 20cm away from walls, furniture, and other appliances.



4. Ensure that all filters, grille, water tank and drainage hose (if using) are correctly installed.
5. Open the air deflector covering the air outlet grille on the top of the unit if it is closed to allow air flow.

6. Connect the power plug to a 230V or 240V outlet and switch the outlet on. The 2in1 Dehumidifier is now in standby mode. When in standby mode for the first time, a buzzer will sound.



### IMPORTANT

When moving the dehumidifier, use the carry handles and castor wheels to manoeuvre, where possible. If lifting, use the two handles and set down gently on a flat and level surface. Never turn the dehumidifier upside down.




### IMPORTANT

Always open the air deflector before operating the dehumidifier. Keep all ventilation openings clear of obstruction.



## Functions

### OPERATING YOUR 2IN1 DEHUMIDIFIER WITH AIR PURIFICATION

1. Press the  button to turn on.
2. The unit will default to Auto mode on first use and will remember the last used function thereafter.
3. To revert back to default mode, unplug the unit from the mains power.

### PRESET OPERATING MODES

There are 4 preset operating modes. To toggle between each mode, press the **ooo** button.

The light above the chosen operating mode will flash 5 times, then illuminate solid when selected.

#### Auto (Dehumidification)

- Auto operates to dehumidify the air to reach the last set humidity level, allowing for more control based on preference.
- Once the humidity level is reached, dehumidification will stop and the fan will continue to operate.
- If the humidity is still below the preset humidity after 3 minutes, the fan will stop.
- Dehumidification will resume if the room humidity level becomes higher than the preset humidity.
- In Auto mode, the fan speed can be adjusted to either High or Low, however High will deliver the ideal humidity level quicker.
- In Auto mode, the humidity level can be adjusted based on preference.

#### Continuous (Dehumidification)

- Continuous operates on a Low fan speed until manually switched off.
- The fan speed and humidity level cannot be adjusted on continuous mode.

#### Laundry (Dehumidification)

- Laundry mode assists to dry indoor hanging clothes faster by drawing out the moisture.
- Laundry mode automatically operates on a High speed and low humidity (30%).


#### Purify

- Purify operates automatically when operating any dehumidification mode to filter the air before returning to the surrounding environment.
- Purify can also be used alone to filter and deliver cleaner air at any time, without dehumidification.
- The fan speed can be adjusted to High or Low in Purify mode.

#### NOTE


This 2in1 Dehumidifier produces heat during operation which may cause room temperatures to rise by 1°C to 4°C, especially if used in an enclosed space.

#### Night

- The Night feature turns off all the lights on the unit to assist with sleeping, even though the unit may remain operating.
- To activate the Night feature, press and hold the **ooo** button for 3 seconds.
- All lights will turn off, the light above the  icon will flash 3 times, then turn off.
- To exit Night, press and hold the **ooo** button for 3 seconds.

#### Fan Speed

Fan speed can be adjusted manually in Auto and Purify modes only.


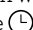

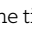
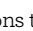
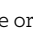

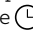
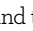
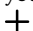
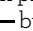
1. Press the  button to select between Low or High. The light will illuminate under the selected speed.
- Laundry mode is defaulted to high speed.
  - Continuous mode operates on low fan speed.

## Timer

The Timer operates in two ways.

1. Auto Off, where the timer determines when to turn the unit OFF and can only be set when the 2in1 Dehumidifier is already turned on.
2. Delayed Start, where the timer determines when to turn the unit ON and can only be set when the 2in1 Dehumidifier is in standby mode.

### To program the Timer:

1. Press the  button.
2. The display screen will flash '00' and the light on top of the  icon will illuminate.
3. Press the  button to increase the time in one-hour increments, up to 24 hours. Alternatively, you can press the  button and then  or  buttons to increase or decrease the time.
4. The time will countdown each hour, automatically turning the 2in1 Dehumidifier ON or OFF respectively when it reaches '00'.
5. To cancel Auto Off or Delayed Start, press the  button or continue to press the  button until it reaches '00'. Alternatively, you can press the  button and then  or  buttons to change the time to '00'.

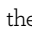
### NOTE

When using Delayed Start, the dehumidification mode can only be set after the delayed start time has been entered.

### WARNING

As a safety feature, the 2in1 Dehumidifier will automatically turn off if the water tank is full, even if the countdown timer has elapsed. The 2in1 Dehumidifier will not turn on in Delayed Start if the water tank is full.

## Filter Reset

- The light above the filter reset icon will flash, indicating that the filter needs to be replaced.
- Replace the filter according to the directions found under Replacing the Filter in this book.
- Once the filter is replaced, press and hold the  button for 5 seconds to reset the Filter Reset time.
- The built-in timer for the filter reset is 2,160 operating hours.

### NOTE

The filter reset light will flash when the unit is operating or on standby mode.

### NOTE


For best performance, the filter should be cleaned at least monthly as per the instructions found in the Care, Cleaning & Storage section of this book.

For optimal filter performance change between 4 - 6 months and at the start key seasonal allergy seasons such as spring.

### SensAir™ System

- The Breville Smart Dry™ 2in1 Dehumidifier has a built-in sensor to detect changes in the humidity level in the air. It provides real-time updates through the LED screen and the visual live humidity indicator light.
- The LED screen provides a real-time humidity display both on the control panel and at the front of the unit.
- The live humidity indicator light is an integrated system that changes colour to visually identify the current level of relative humidity % in the air and also mapped to Breville Home Connect App.
- The live humidity indicator light will change colour according to the current relevant humidity (%).
  - Green (Low): Below 40% relative humidity.
  - Blue (Good): Between 40% - 60% relative humidity.
  - Red (High): Above 60% relative humidity.

## Humidity Level Setting

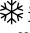
When the 2in1 Dehumidifier is turned on, the current humidity level (%) will show on the display screen and the light above the  icon will illuminate. This number will adjust as the 2in1 Dehumidifier operates.

The Humidity Level can only be set when operating in Auto Mode and allows you to manually set a relative humidity level (%RH) between 30% - 80%.

1. Press either the **+** or **-** buttons to change the humidity level in 5% increments with each press. Stop once the desired humidity level is displayed on the display screen.

## Defrost

Defrost is an automatic maintenance function that will only operate if a room temperature falls to less than 23°C.

1. If the light on top of the  icon turns on, defrosting has automatically started. The fan will operate on High during defrost and any selected operating mode will temporarily stop.
2. Automatic defrost will operate for up to 5 minutes.
3. Once Defrost is completed, the unit will resume in the last selected operating mode.



### WARNING

Do not disconnect the power or turn off the unit during defrost.



### WARNING

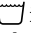
Do not use means to accelerate the defrosting process or to clean, other than those recommended in this instruction booklet.

## EMPTYING CONDENSATE WATER

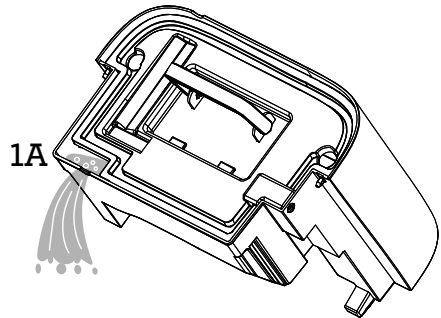
During the process of dehumidification, water is created and needs to be expelled from the 2in1 Dehumidifier in one of two ways:

### Water Tank Drainage

The removable 6.5L water tank will collect water until it reaches the water level indicator when the tank is full.

Once the water tank is full, the Empty Me indicator light on top of the  icon will illuminate, a buzzer will sound, and the unit will stop automatically.

1. Remove the water tank from the unit.
2. Using the handle, transport the water tank to a drainage source.
3. Tip the water tank and empty the water from the hole located on the water tank lid (1A).
4. Replace the water tank back onto the unit. The unit will resume automatically in the last selected mode.

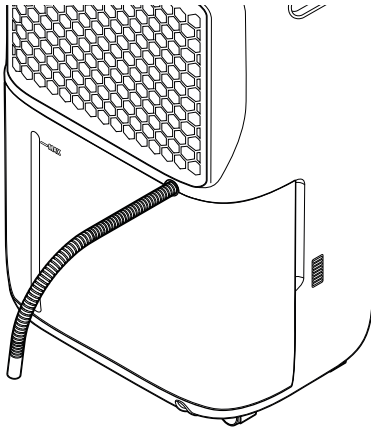


## Continuous Drainage

(Using the included hose for gravity-fed draining)

The continuous drainage outlet allows water to drain without having to monitor and empty the water tank. Ensure the hose (included) is properly assembled before operating the 2in1 Dehumidifier when using this feature.

1. Remove the water tank to access the hose connection outlet located at the front of the tank lid.
2. Insert the hose into the connection outlet, ensuring that the hose is slid right to the back of the water tank.
3. As drainage is dependent on gravity, to drain correctly no part of the hose should sit higher than the hose connection outlet.
4. Place the other end of the hose into a water drain, being careful that it cannot inadvertently come loose or be displaced when water starts to drain.



5. With the hose fitted into the hose groove of the tank, carefully replace the water tank.
6. The water will drain directly through the hose.



### WARNING

Ensure the hose is secure at the hose connection, the drainage outlet and into the water drain.



## Wi-Fi Connectivity

This Breville Home connected product can be controlled both through Wi-Fi and Bluetooth. While Wi-Fi allows for connectivity and control remotely, Bluetooth allows for control within range of the product, even without Wi-Fi.

The Breville Smart Dry™ 2-in-1 Viral Protect Dehumidifier can offer remote operation by using a home Wi-Fi connection and the Breville Home Connect™ app downloaded to a compatible mobile phone through the Google Play store or Apple App store.

To go straight to the appropriate app store, scan the QR code below.



For instructions on how to use the app, scan the QR code below, refer to the Quick Start Guide that can be found in the box or go to [tinyurl.com/HomeConnectQuickStart](https://tinyurl.com/HomeConnectQuickStart).



### NOTE

The Breville Home Connect™ app is compatible with mobile phones running Android® 5.0 or later and iOS devices 11 or later.



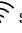
### NOTE

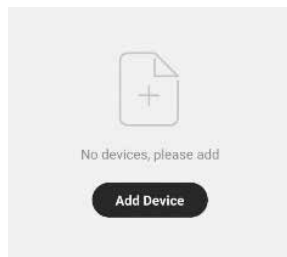
To control the 2in1 Dehumidifier using the app, the 2in1 Dehumidifier must be plugged into an active power outlet.

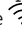
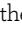

## CONNECT YOUR DEHUMIDIFIER TO WI-FI

Choose from the options available to allow for easy pairing and use.


Bluetooth connection has also been activated for this appliance, which will aid in the pairing process, providing a higher success rate when pairing.

1. Ensure the mobile device is connected to a home Wi-Fi network.
2. The 2in1 Dehumidifier must be on standby mode. Once on standby mode, the light above the  symbol will flash fast. The 2in1 Dehumidifier is now ready to connect.
3. Log into your Breville Home Connect™ app account and stay on the “Home” page. To add the 2in1 Dehumidifier to the list, touch ‘Add Device’ or the symbol found in the top right-hand corner of the screen. Follow the prompts in the app.



4. If the connection is successful, the 2in1 Dehumidifier will appear in the main page of the app and the  symbol on the 2in1 Dehumidifier will illuminate.
5. If connection is unsuccessful, touch and hold the  button for 5 seconds until the  light is flashing slowly. Follow the prompts in the app to connect in a different mode.

## BLUETOOTH

Bluetooth connectivity is an added feature of the Breville Home connected 2in1 Dehumidifier. When the light above the  is flashing fast when attempting to connect, the Breville Home Connect™ app should quickly recognise the unit without having to complete extra prompts. Refer to the Quickstart Guide in the box or on Breville.com for specific details on how to connect through Bluetooth.



## Voice Assistants

The Breville Smart Dry™ 2-in-1 Viral Protect comes with the added feature of voice assistance, allowing you to control your 2in1 Dehumidifier using your voice by linking your Breville Home Connect™ app with Amazon Alexa and Google Home/Assistant.

To link your Breville Home Connect™ app account with either Google Home/Assistant or Amazon Alexa, refer to the instructions on [www.Breville.com](http://www.Breville.com) or follow instructions found in the Breville Home Connect™ app under **Me > Third-Party Voice Services > View more ways to link**.



### IMPORTANT NOTE

The recommended voice commands to operate the appliance's functions differ between Amazon Alexa and Google Home/Assistant as listed. Variations of these commands may also be recognised, however, if a command fails, check against the recommended voice command.



### NOTE

To control the dehumidifier using the Amazon Alexa or Google Home/Assistant app, the 2in1 dehumidifier must be plugged in to an active power outlet and turned on.

## VOICE CONTROL WITH AMAZON ALEXA

Before you can voice control your Breville Smart Dry™ 2-in-1 Viral Protect 2in1 Dehumidifier with Amazon Alexa, you need to link the Breville Home Connect™ account to the Amazon Alexa app as per the instructions.

### Amazon Alexa Recommended Voice Commands for the Breville Smart Dry™ 2-in-1 Viral Protect

Supported Settings	Amazon Alexa Voice Commands	
Power	Turn ON DEVICENAME	
	Turn OFF DEVICENAME	
Mode	Set DEVICENAME to Auto mode	
	Set DEVICENAME to Continuous mode	
	Set DEVICENAME to Laundry mode	
	Set DEVICENAME to Purify mode	
Fan Speed - Auto and Purify modes only	Set DEVICENAME fan speed to low	
	Set DEVICENAME fan speed to high	
Purify (Ventilation Mode)	Turn on Ventilation on DEVICENAME	
Humidity Level (30-80% - Auto mode only)	Set DEVICENAME to 30	Set DEVICENAME to 60
	Set DEVICENAME to 35	Set DEVICENAME to 65
	Set DEVICENAME to 40	Set DEVICENAME to 70
	Set DEVICENAME to 45	Set DEVICENAME to 75
	Set DEVICENAME to 50	Set DEVICENAME to 80
	Set DEVICENAME to 55	
Night Mode	Turn OFF the light on DEVICENAME (Night Mode ON)	
	Turn ON the light on DEVICENAME (Night Mode OFF)	



### NOTE

Currently, Amazon Alexa does not support the following settings:

- Timer and Filter Reset.



## VOICE CONTROL WITH GOOGLE HOME/ASSISTANT

Before you can voice control your Breville Smart Dry™ 2-in-1 Viral Protect 2in1 Dehumidifier with Google Home/Assistant, you need to link the Breville Home Connect™ account to the Google Home/Assistant app as per the instructions.

### Google Home/Assistant Recommended Voice Commands for the Breville Smart Dry™ 2-in-1 Viral Protect

Supported Settings	Google Home/Assistant Voice Commands
Power	Turn ON DEVICENAME Turn OFF DEVICENAME
Mode	Set DEVICENAME to Auto Set DEVICENAME to Continuous Set DEVICENAME to Laundry
Fan Speed - Auto and Purify modes only	Set fan speed to low on DEVICENAME Set fan speed to high on DEVICENAME
Purify (Ventilation Mode)	Turn on Ventilation on DEVICENAME
Humidity Setting (30-80% - Auto mode only)	Set DEVICENAME humidity to 30    Set DEVICENAME humidity to 60 Set DEVICENAME humidity to 35    Set DEVICENAME humidity to 65 Set DEVICENAME humidity to 40    Set DEVICENAME humidity to 70 Set DEVICENAME humidity to 45    Set DEVICENAME humidity to 75 Set DEVICENAME humidity to 50    Set DEVICENAME humidity to 80 Set DEVICENAME humidity to 55
Night Mode	Turn OFF the light on DEVICENAME (Night Mode ON) Turn ON the light on DEVICENAME (Night Mode OFF)



#### NOTE

Currently, Google Home/Assistant does not support the following settings:

- Timer and Filter Reset.



#### TIPS for Amazon Alexa and Google Home/Assistants

- Configure your Amazon Alexa or Google Home/Assistant compatible devices with the "Alexa" or "Google Home/Assistant" app if using, or simply download onto your phone.
- You will find your device listed as the Breville product name in your Breville Home Connect™ app account. Tap on the device in the app to rename your device for more convenient voice commands, e.g. "Dehumidifier Living Room" or give it a name, e.g. "Kenny".
- **Training your voice assistant - Voice Match** - Teach your assistant to recognise your voice. This isn't training it to understand English, but rather to recognise your voice as belonging to you. You can do this by going to the Settings menu in the voice assistant app on your phone.
- **Routines** - Amazon Alexa and Google Home/Assistant allow you to combine multiple actions in one voice command, to create a Routine, tap on the 'Routines' option via settings and follow the steps.
- Ensure the primary language is set to English (United States) for all apps.



## Care, Cleaning & Storage



### WARNING

Before cleaning or maintenance of the 2in1 Dehumidifier, ensure the power is switched off at the outlet and the plug is removed.

### CLEANING YOUR 2IN1 DEHUMIDIFIER

1. Keep the unit upright when cleaning.
2. Wipe the 2in1 Dehumidifier housing, control panel and air inlet and outlet grilles with a soft, dry cloth.
3. To remove dirt that may have built up on the housing body and air inlet grille, wipe with a damp cloth only. Do not use on the control panel.



### WARNING

Do not clean the control panel with a damp cloth. Do not clean the unit with gasoline, thinner or liquid detergent as chemical substances may damage the screen or cause discolouration on the unit.



### NOTE

Do not use any objects that may scratch the unit. For instance, using a brush may leave scratches.

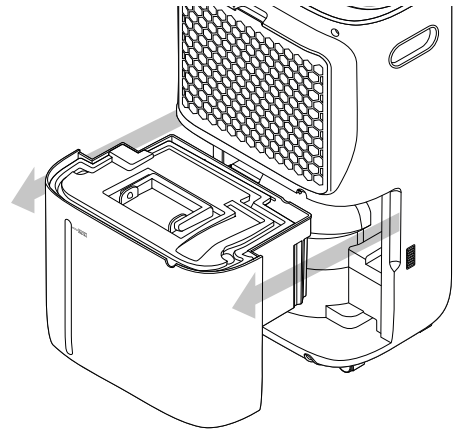
### WATER TANK CLEANING



### NOTE

The 2in1 Dehumidifier cannot operate if the tank is full or is not installed correctly. Clean the water tank once a week if used regularly.

1. Remove the water tank from the back of the dehumidifier by holding the sides and pulling outwards.



2. Remove the water tank lid before cleaning. Place the tank on a dry, level surface. Flip the handle on the water tank cover until the grooves in the handle match the grooves in the handle holders. Pull outwards on both sides of the handle to disengage and remove. Carefully pull upwards on the tank lid to remove.
3. Tip any excess water from the water tank into a sink or drain, then rinse the inside of the tank with clean water.
4. Wipe any water on the outside of the tank with a dry cloth and reassemble the water tank lid and handle back onto the water tank.
5. Replace the water tank back into the 2in1 Dehumidifier.



## NOTE

For more thorough cleaning of the water tank, wash the inside of the water tank with warm, soapy water, then rinse well with clean water. During cleaning, be careful to keep the water level sensor in place or replace it if it comes out of the tank (see Water Level Sensor).



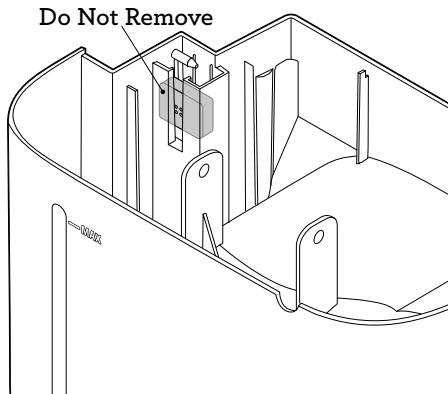
## WARNING

Water in the water tank is not suitable for drinking. Do not drink this water, and do not serve to animals or use to water plants.

## WATER LEVEL SENSOR

The water level sensor is situated in a chamber found in the corner of the water tank and is held in place by the water tank cover (see illustration below). The sensor rises and falls with the level of the water and should not be removed as it will prevent the 2in1 Dehumidifier from operating.

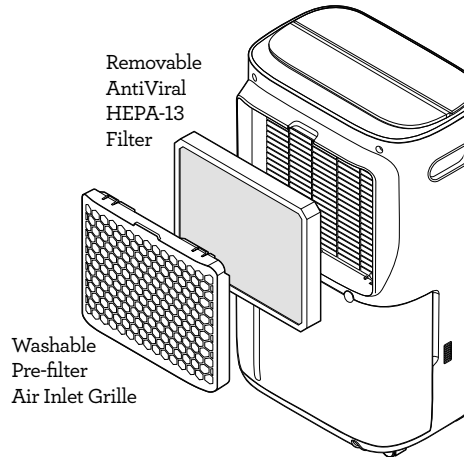
If the sensor inadvertently falls out of the water tank during cleaning, replace it back into the sensor chamber, ensuring the magnetic strip faces inside towards the 2in1 Dehumidifier.



## FILTER CLEANING AND REPLACEMENT

The 2in1 Dehumidifier with Purification is fitted with an AntiViral HEPA-13 air filter that is held in place by the air inlet grille located at the back of the unit.

The air inlet grille contains the washable mesh pre-filter to trap large dirt and dust from the air, and also acts as the filter holder for the AntiViral HEPA-13 replaceable filter.



## WARNING

It is important to keep the filter clean as a dirty filter may cause a reduction in the 2in1 Dehumidifier's performance.



## NOTE

Clean the filter at least monthly, or more often if in frequent use.

## Washable Pre-filter

1. The pre-filter forms part of the air inlet grille. Remove the air inlet grille from the back of the unit.
2. Use a hand tool on a vacuum cleaner (such as a brush or upholstery tool) to clean both sides. Alternatively, lightly tap the grille over a garbage bin to loosen the dust.
3. Replace the air inlet grille onto the 2in1 Dehumidifier, inserting the bottom of the grille first, then the top. Ensure the grille clicks into place correctly.

### AntiViral HEPA-13 Cleaning

The AntiViral HEPA-13 filter sits within a cavity at the back of the 2in1 Dehumidifier and is held in place by the air inlet grille.



#### WARNING

Never wash the AntiViral HEPA-13 filter. This filter can be cleaned by simply tapping over a garbage receptacle.



#### NOTE

A dirty HEPA-13 filter may reduce the performance of the 2in1 Dehumidifier. Clean regularly and replace as needed.

1. Remove the air inlet grille to access the AntiViral HEPA-13 filter. Gently separate the filter from within the air inlet grille using the tab provided. Tap the AntiViral HEPA-13 filter over a garbage receptacle to remove dust.
2. For optimal performance in air purification, filter should be replaced every 4-6 months, depending on the frequency of use.

### AntiViral HEPA-13 Filter Replacement

Your Smart Dry™ 2-in-1 Viral Protect 2in1 Dehumidifier is also an effective air purifier equipped with an AntiViral HEPA-13 filter to help remove floating particles, allergens and dust from the environment. For best performance, the AntiViral HEPA-13 filter should be replaced in the time frames indicated below.

- The AntiViral HEPA-13 filter life is approximately 4-6 months based on 12 hours daily operation or 2,160 hrs.
  - The filter life may vary to this timing, depending on environmental conditions.
  - Remove all packaging from the replacement filter before placing the filter into the unit as described below.
1. Remove the air inlet grille to access the AntiViral HEPA-13 filter.
  2. Use the tab on top of the filter to separate the used AntiViral HEPA-13 filter from the air inlet grille, being careful that any residue or debris that may fall from the filter does not cause damage.

3. Remove the new AntiViral HEPA-13 filter from the packaging material.
4. With the blue side of the filter placed facing towards the air inlet grille, gently push the filter in. The white tabs found on top and bottom of the filter should be easily accessible.
5. Replace the air inlet grille with filter back into the 2in1 Dehumidifier before operating.



#### NOTE

If the filter is not in place or not fitted correctly, the 2in1 Dehumidifier will not operate effectively and may be damaged.

Replacement filters can be purchased from the Breville website<sup>^</sup> or at participating retail outlets.

See the table below for the replacement product code to suit this unit.

Breville 2in1 Dehumidifier Model Number	Filter Replacement Product Code
LAD708	LAD070

<sup>^</sup>Delivery charges may apply.

Please contact Breville Customer Service Centre for further support.

Only use the original Breville filter specially intended for this appliance. Do not use any other filters.

### STORAGE

1. Disconnect the 2in1 Dehumidifier from the power outlet.
2. Ensure the water tank is empty and cleaned as per instructions.
3. Clean the 2in1 Dehumidifier as per the instructions found in this book.
4. Store upright and avoid standing in direct sunlight if leaving for long periods.
5. Never store anything on top of the 2in1 Dehumidifier.



# Troubleshooting

## TROUBLESHOOTING GUIDE

Before carrying out any of the following service checks, unplug the unit from the power outlet.

PROBLEM	POSSIBLE CAUSES	WHAT TO DO
Dehumidifier not working.	<ul style="list-style-type: none"><li>• Power plug is disconnected.</li><li>• The tank is full of water.</li><li>• The tank is not in the right position.</li></ul>	<ul style="list-style-type: none"><li>• Plug the power cord into the power socket.</li><li>• Empty the water tank.</li><li>• Position the water tank correctly in the unit.</li></ul>
Dehumidification has reduced in power.	<ul style="list-style-type: none"><li>• The filter is too dirty.</li><li>• The air inlet or outlet are blocked.</li></ul>	<ul style="list-style-type: none"><li>• Clean the filter.</li><li>• Remove the object that is blocking the air inlet or outlet.</li></ul>
Loud noises coming from the dehumidifier.	<ul style="list-style-type: none"><li>• The dehumidifier is on an uneven surface.</li></ul>	<ul style="list-style-type: none"><li>• Position the dehumidifier on a smooth and stable surface.</li></ul>
The dehumidifier suddenly stops.	<ul style="list-style-type: none"><li>• The room humidity level may be outside of the radar of the dehumidifier.</li></ul>	<ul style="list-style-type: none"><li>• The dehumidifier will start again automatically when it can read the room humidity level again.</li></ul>
Clothing dries very slowly.	<ul style="list-style-type: none"><li>• The room temperature is too low.</li><li>• The wet clothes are not exposed to the air from the unit.</li></ul>	<ul style="list-style-type: none"><li>• If the room temperature is too low, the clothing will dry slower than usual.</li><li>• Place the wet clothes closer to the unit so they are exposed to the air flow.</li></ul>
No reduction of humidity in the room.	<ul style="list-style-type: none"><li>• The room is too large for the unit's scope.</li><li>• Doors and windows in the room are open.</li></ul>	<ul style="list-style-type: none"><li>• Move to a smaller room.</li><li>• Close any doors or windows in the room.</li></ul>



## WARNING

This dehumidifier uses a refrigerant compressor. The noise from the compressor turning off and on during operation is normal.

## TROUBLESHOOTING GUIDE

Possible issues not related to the dehumidifiers performance.

ISSUE	REASON
Unit occasionally stops working.	<ul style="list-style-type: none"><li>• The unit is defrosting. The unit will start again once defrosting is finished.</li></ul>
Reduction in dehumidification strength.	<ul style="list-style-type: none"><li>• Dehumidification reduces in strength when the room temperature is too low. The unit may stop operating when the room temperature is too low. The dehumidifier stops operating when the humidity level in the room drops below the set humidity level during the Auto Dehumidification mode.</li></ul>
There is a bad smell while on.	<ul style="list-style-type: none"><li>• The smell may come from the walls, furniture or other household objects.</li></ul>
Sound is coming from within the dehumidifier.	<ul style="list-style-type: none"><li>• Circulation of the refrigerant may cause sound until the unit is stable.</li></ul>
The buzzer sounds.	<ul style="list-style-type: none"><li>• This happens when the water tank is full.</li></ul>

## ERROR CODES

ERROR CODE	POSSIBLE CAUSES	WHAT TO DO
E1 is on the display screen.	The humidity sensor is not working.	Contact Breville customer service.

## TROUBLESHOOTING GUIDE FOR AMAZON ALEXA AND GOOGLE HOME/ASSISTANT

PROBLEM	WHAT TO DO
Why is Amazon Alexa or Google Home/Assistant not responding to my voice commands.	<ul style="list-style-type: none"><li>• Check the internet connection.</li><li>• Restart your device &amp; mobile phone.</li><li>• Restart your modem and router.</li><li>• Make sure your Amazon Alexa or Google-enabled device or mobile phone is in Wi-Fi range.</li><li>• When you are giving a command to Amazon Alexa or Google Home/Assistant make sure you are clear and there is no unwanted noise in the background.</li><li>• While the voice assistant is always on in the background, only an activation phrase will allow for the voice assistant to start. registering the commands being relayed. The activation phrase depends on the application being used; For Amazon Alexa, use “Alexa”, while “OK Google” is for Google Home/Assistant.</li><li>• Ensure your voice is clear and distinct to allow the assistant to accurately record and process the command.</li><li>• Ask direct questions. Refer to the commands list for recommended commands.</li></ul>

If the problem is not listed, please contact Breville Customer Service Centre (see back cover for contact details)



Notes

# Breville Customer Service Centre

## **Australian Customers**

**Phone:** 1300 139 798

**Web:** [www.breville.com](http://www.breville.com)

## **New Zealand Customers**

**Phone:** 0800 273 845

**Web:** [www.breville.com](http://www.breville.com)

# **Breville®**

**Master Every Moment™**

Breville, the Breville logo, Master Every Moment, Smart Dry, Breville Home Connect and SensAir are trademarks of Breville Pty. Ltd. A.B.N. 98 000 092 928.

Copyright Breville Pty. Ltd. 2022.

Due to continued product improvement, the products illustrated/photographed in this booklet may vary slightly from the actual product.

LAD708 ANZ C22