

Proudly distributed by
De'Longhi Australia Pty Limited
P.O. BOX 4540
CASULA MALL NSW 2170
Customer Service Ph: 1800 126 659
Fax: 1800 706932
www.delonghi.com.au
e-mail: delonghi@delonghi.com.au

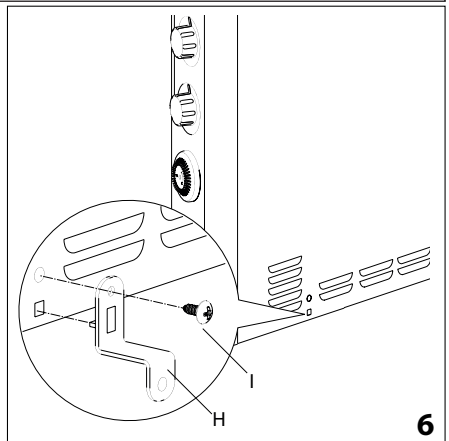
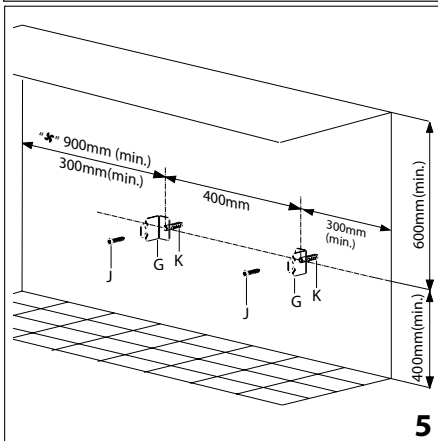
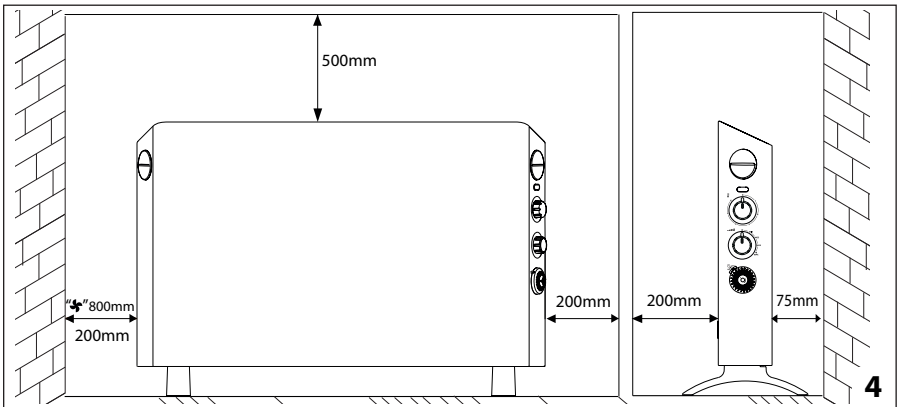
De'Longhi New Zealand Limited
99 Khyber Pass Road
Grafton 1023
Auckland, New Zealand
P.O. Box 58-056 Botany
MANUKAU 2163
Customer Service Ph: 0508 200 300
Fax: 0508 200 301
www.delonghi.co.nz
e-mail: delonghi@delonghi.co.nz

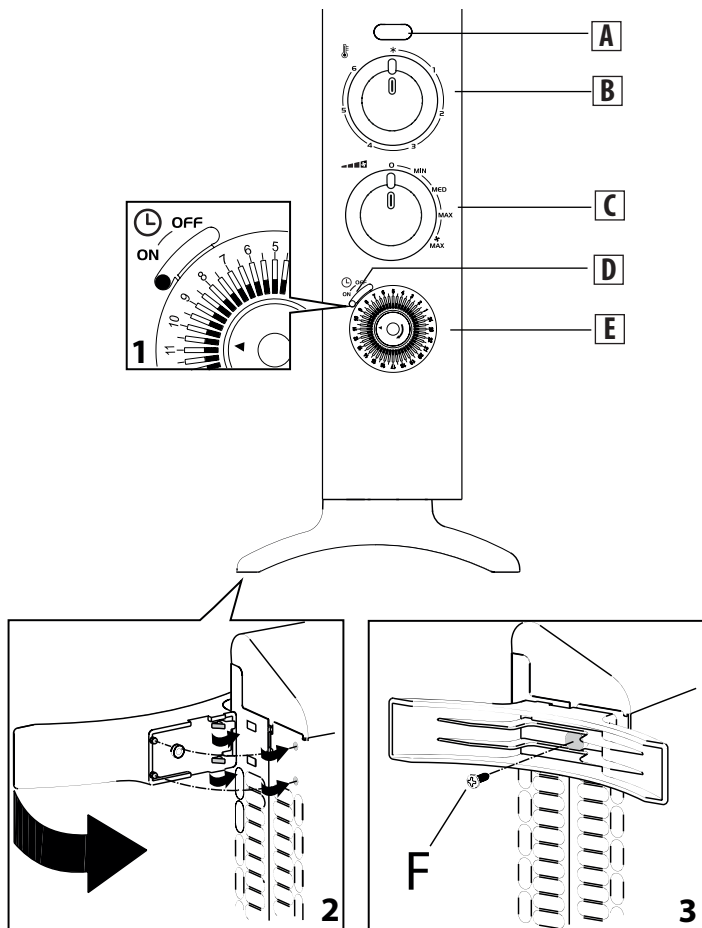
HSXSeries

CONVECTOR
Instructions for use



DeLonghi






2 X  (F) 3,5x13 PH

2 X  (G)

2 X  (H)

2 X  (I) 3,5 X 9,5 PH

4 X  (J) 4,5 X 25 PH

4 X  (K) 6 X 30

IMPORTANT INFORMATION

Safety warnings



Failure to observe the warning may result in life-threatening injury by electric shock.

- The appliance must not be placed immediately below a power socket.
- Do not use the heater close to bath, wash-basin, shower and swimming pool.
- If you intend to fix your appliance to the wall, make sure that the switch or other control devices are not within reach of persons in the bath or shower.
- If the power cable has been damaged, it must be replaced by the manufacturer or the service centre or by an expert staff member so as to avoid all risks.



Failure to observe the warnings could result in injury or damage to the appliance.


- The appliance can be used by children at least 8 years old and by persons with reduced physical, mental and sensory capacities or with inadequate experience and knowledge, as long as they are carefully supervised or instructed on how to safely use the appliance and the hazards involved. Make sure that children do not play with the appliance. Cleaning and maintenance performed by the user must not be performed by children without supervision.
- Children less than 3 years old should be kept away from the appliance unless continuously supervised.
- Children between 3 and 8 years old may only switch the appliance on and off, provided that it has been placed or installed in its normal operating

position, they are carefully supervised and instructed concerning use of the appliance in a safe way and they understand the hazards involved. Children between 3 and 8 years old should not insert the plug, adjust and clean the appliance or perform maintenance on it. ATTENTION: Some parts of the appliance can become very hot and cause burns. Pay particular attention when children and vulnerable persons are present.

- ATTENTION: to avoid any danger caused by an accidental reset of the safety system, this appliance must not be powered through an external timer.
- Do not use the appliance in small rooms when they are occupied by persons that are not capable of leaving the room on their own, unless constant supervision is provided.



Failure to observe these warnings may cause burns.

- ATTENTION: to avoid overheating, do not cover the appliance for any reason during operation, this  would cause dangerous overheating.
- Use of extension lead is not recommended as it could overheat during operation of the appliance.



Note:
This symbol indicates recommendations and important information for the user.

- Never use the appliance to dry laundry.
- Do not place the power cable on the appliance when it is hot.
- For greater efficiency position the device away from draughts.
- Only use the heater in an upright position.
- The appliance must be positioned at a minimum distance of 80cm from curtains or other movable objects sensitive to heat.
- The first time you use the appliance it may emit smells. It

is advisable to let it run for at least 15 minutes with the thermostat at the maximum setting and then ventilate the room. A little smoke may be emitted due to the protective substances applied to the heating element before transport.

- Do not position the appliance on deep-pile carpets or rugs, to avoid obstruction to the air intake grille located under it.
- Do not obstruct the hot air outlet grille or the air intake grille on the bottom of the appliance.
- Position the appliance so that the plug and the power socket can be easily reached after installation.
- Do not use this appliance in a room whose surface area is less than 4 m².
- An anti-tilt safety device turns the appliance off if it falls over or is positioned inappropriately so as to jeopardise safety. The appliance resumes operation after being placed in an upright position again.
- The appliance is fitted with a safety cutoff device which will switch the appliance off in case of accidental overheating.

To reset the cutoff, disconnect the plug from the power socket for a few minutes, remove the cause of overheating then reconnect the appliance. If this abnormal situation happens several times, contact customer service.

CE This appliance conforms to the following EC directive:

- Directive on electromagnetic compatibility (EMC) and subsequent amendments

Use in compliance with intended use

Use this heater only as described in this manual. All other use is considered improper.

This appliance is not suitable for commercial use.

The manufacturer is not liable for damage deriving from improper use of the appliance. This is a household appliance only. It is not intended to be used in:

- staff kitchen areas in shops, offices and other working environments;
- farm houses;
- by clients in hotels, motels and other residential type environments;
- bed and breakfast type environments.

Use in this manner will invalidate the manufacturers warranty.

Fundamental recommendations regarding safety

Dear Customer – The plug on this appliance will get ‘warm’ during use, this is perfectly normal.

This product is A HIGH POWER HEATING APPLIANCE designed to our usual high standards but please make sure your wall sockets are in good condition and the plug is inserted correctly to avoid any accidental overheating.

We suggest that you check the plug AND THE SOCKET regularly if the heater is in prolonged use, if you are in any doubt please consult an electrician.

DESCRIPTION

- A Warning lamp
- B Thermostat
- C Power selector
- D Slider
- E Timer

General instructions

Remove the appliance from the packaging.

Check that neither the appliance nor the power cable has been damaged during transport. Do not operate the heater if damaged.

Remove all publicity material from the appliance. The appliance is suitable for free-standing or wall-mounted usage. Do not assemble the feet if wall-mounted.

Electrical connection

- Before connecting the appliance to the power socket, check that the voltage indicated on the appliance rating plate is the same as your electrical system and that it can support the power consumption (Watt) indicated.
- If more than one appliance is used at the same time, it is important to ensure that the electrical system is able to support the power required.

Use on the floor, feet assembly

Tools required:

Screwdriver PH2x100 (crosshead)

2 supplied screws 3.5x13 PH (F)

Place the appliance on a stable surface.

For mounting the feet, proceed as follows:

- Insert the two hooks in the slots and rotate the foot until it is engaged as shown in figure 2.
- Insert the two pins in their respective holes.
- Fix the foot with the screw (F) supplied (figure 3).
- See Figure 4 for the minimum distances of the device from the walls. The measurements are indicated both for models equipped with fan "🌀" and for models without.



Important! never use the appliance without the feet attached if it is not mounted on the wall.

Installation on the wall

The kit for wall installation contains:

- 2 metal brackets for mounting above (G)
- 2 metal brackets for mounting below (H)
- 2 screws 3.5 x 9.5 PH (I)
- 4 screws 4.5 x 25 PH (J)
- 4 plastic wall plugs 6 x 30 (K)

Tools required for installation and estimated time for installation

Screwdriver PH 2x100 (crosshead)


Estimated time for installation: 30 minutes

Before installing the unit, ensure the following:

- a. **The device must not be placed directly under a power socket.**
- b. **The plug and power socket must be easy to reach after installation.**
- c. **No electric cables or other pipework could be damaged during installation.**
- d. **Keep away from curtains or flammable materials.**

For wall mounting, proceed as follows:

Place the appliance on a stable surface. Use a screwdriver to fix the two brackets H with screws I as shown in Fig. 6.

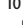
1. Before drilling the wall, mark the exact spot, respecting the minimum distances as shown in Fig. 5. The measurements are indicated both for models equipped with fan  and for models without.
2. Drill following the marks that you have made and insert the wall plugs K. For brick walls use a masonry bit of 6 mm. For plasterboard or false walls (empty), we recommend the use of appropriate screws and anchors (not supplied).
3. Fix the 2 metal brackets G to the wall using the screws J provided.
4. Hang the appliance on the brackets.
5. Mark the lower fixing points corresponding to the holes of the brackets H. Remove the appliance, drill the lower holes and insert the wall plugs K.
6. Now you can hang the unit on the brackets and secure the bottom of the appliance with the 2 screws J remaining.

USE

Operation and use

Insert the plug into the socket and switch on at the socket if necessary, turn the thermostat knob (B) to position 6 and turn

the appliance on via the power selector (C) as follows:


- The warning lamp (A) lights up.
- Turn the power selector knob to **Min** to select minimum power.
- Turn the power selector knob to **Med** to select medium power.
- Turn the power selector knob to **Max** to select maximum power.
- To switch off the appliance completely: turn the power selector to "0" and the thermostat to , then disconnect at the power socket.

Adjusting the thermostat

When the room has reached the required temperature, turn the thermostat knob (B) slowly anticlockwise until you hear a click and no further. The warning lamp (A) goes out.

The thermostat will automatically maintain the temperature. In spring or autumn or on mild days, you can save energy by using minimum power.

Freezing protection


With the knob of the thermostat (B) in position  and one of the power levels selected, the appliance will maintain the room at a temperature of about 5°C preventing freezing with minimum energy consumption.


Models with fan

The appliance is equipped with a fan that provides even more rapid and uniform heating.

To start this function, turn the power selector (C) to Max .

Models with 24-hour timer

When the appliance is connected to the power supply the timer is always active so as to stay synchronized with the local time. To operate the appliance without timer, position the timer slider (D) to .

To operate the appliance at the times set, position the timer slider to  (Fig. 1) and proceed as follows:

- Check the time on your clock or watch. If it is 10.00 for example, turn the numbered programmer disk until the number 10 coincides with the pointer marked on the programmer device.
- Set the periods of time during which you want the appliance to operate by pushing the teeth outwards (see figure). Each tooth corresponds to a period of 30 min. At the end of the procedure, the sectors corresponding to the periods of operation will be visible.
- In this way, the appliance will function automatically each day at the times set. (Important: the appliance must always be connected to the power supply).
- To modify the settings, return the teeth to the initial

- position and set the new operating periods.
- To turn the appliance off, turn the power selector to "0".

MAINTENANCE

Before carrying out any maintenance, disconnect the appliance from the power supply and wait for it to cool down completely.

This appliance requires no particular maintenance.


It is sufficient to remove dust with a soft, dry cloth. Never use abrasive powders or solvents.

If necessary remove areas of concentrated dirt with a vacuum cleaner.

TECHNICAL CHARACTERISTICS

Power supply	See appliance rating plate
Power consumption	"

TROUBLESHOOTING

PROBLEM	CAUSE	SOLUTION
The appliance doesn't work	The plug is not inserted properly into the power socket or the socket switch is off.	Insert the plug into the power socket and switch on if necessary.
	Check for any obstruction.	Remove the obstruction, disconnect the power plug of the heater and let the appliance cool down. If the problem persists, contact customer experience.
	The power selector is in the "0" position.	Move the power selector to position MIN, MED, MAX or MAX  .
	The thermostat is set too low.	Turn the thermostat knob clockwise to higher settings until the heater restarts.
	Timer setting.	Make sure the timer is correctly set to local time and check the position of the teeth.
	An anti-tilt safety device is activated.	Make sure the appliance is standing upright on a flat surface, if the problem persists contact our toll free number to assist you.