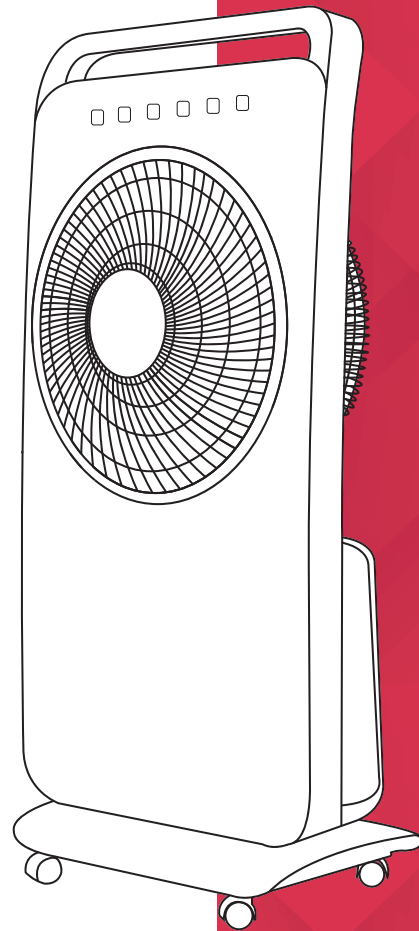




# INSTRUCTION MANUAL



## **2.5L Misting Fan**

Model: DCMIST25

---

For domestic household use only.



## IMPORTANT

THESE INSTRUCTIONS SHOULD BE READ CAREFULLY AND RETAINED FOR FUTURE REFERENCE. **Note also the information presented on the appliance**

### **CAUTION: FAILURE TO FOLLOW THESE INSTRUCTIONS MAY CAUSE INJURY AND/OR DAMAGE AND MAY INVALIDATE YOUR WARRANTY**

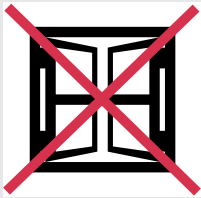
Please read the operating instructions carefully before using your Misting Fan for the first time and keep them in a safe place.

**WARNING** – This appliance must not be used in a bathroom.

**WARNING** – Do not use this appliance in the immediate surroundings of a bath, a shower or a swimming pool.

- If the mains lead is damaged it must only be replaced by the manufacturers service agent or a similarly qualified person in order to avoid a hazard.
- This appliance is not intended for use by persons (including children) with reduced physical, sensory or mental capabilities, or lack of experience and knowledge, unless they have been given supervision or instruction concerning use of the appliance by a person responsible for their safety.
- Children should be supervised to ensure they do not play with the appliance.
- Prior to cleaning or other maintenance, the appliance must be disconnected from the supply mains.
- Never immerse the appliance in water or other liquids.
- Operate this unit only on a firm, flat surface to avoid the risk of water leakage. Ensure that the unit is kept upright at all times.
- Do not place on soft, unstable or non-horizontal/angled surfaces.
- Never operate the appliance if a cable or connector has been damaged, after appliance malfunction or if the appliance was dropped or is otherwise damaged.
- Please ask a professional service agent to repair the product. Improper repair may cause danger to users.
- Disconnect the appliance from mains power whenever it is not in use, before relocating it, and before cleaning or filling.
- Operate the appliance only at the voltage specified on the rating label.
- Only connect the unit to a properly installed and easily accessible socket so that you can quickly disconnect the plug if necessary.
- Do not connect this product to the mains using an extension lead.
- This evaporative cooler is only intended for **INDOOR RESIDENTIAL** applications. This evaporative cooler should not be used for commercial or industrial or leisure applications or in small enclosed spaces.
- Never use the mains lead as a carrying strap or pulling lead.
- To avoid a fire or electrocution hazard, **NEVER** put the cord near heat registers, radiator, stoves or heaters.
- **DO NOT** cover cord with carpeting, throw rugs, runners, or similar coverings.
- **DO NOT** route cord under furniture or appliances. Take care to position the cord away from traffic areas and where it will not be a tripping hazard.

- **DO NOT** use the unit near windows or where water collects. Rain and water collection may lead to a risk of fire or electric shock.
- Only operate this appliance with a minimum of 50cm clearance all around i.e. away from walls, furniture and overhanging objects such as curtains or a shelf.
- To prevent spillage, empty the water tank before lifting or relocating the appliance.
- **WARNING:** To avoid danger of suffocation please remove all packaging materials particularly plastic and EPS and keep these away from vulnerable people, children and babies.
- **NEVER** drop or insert any object or fingers into any openings.
- Do not use the appliance in locations where paint, petrol or other flammable liquids are used or stored.
- Do not use bug sprays or other flammable cleansers/vapour sprays on or around the unit.
- Always switch off the unit and take the plug out of the socket:
  - If you are not using the unit
  - Before you clean or carry out maintenance on the unit
  - If a fault occurs
  - In the event of an electrical storm.
- Avoid electromagnetic interference. Keep the unit at least 1 metre away from electrical appliances such as televisions & radios.



Exposed to the weather outdoors



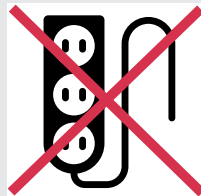
Near water



If the power cable wires are frayed or cut



Where small children may be left unattended



If an extension lead may become overloaded



Where the power cable may be damaged



On a slope or uneven surface



Where there is risk of fire or close to a naked flame



Where it may be damaged by chemicals



Where there is a risk of interference by foreign objects



This product is not made for DIY repair



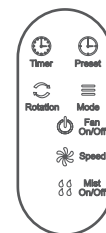
If there is a risk of water falling on the unit

## Specification

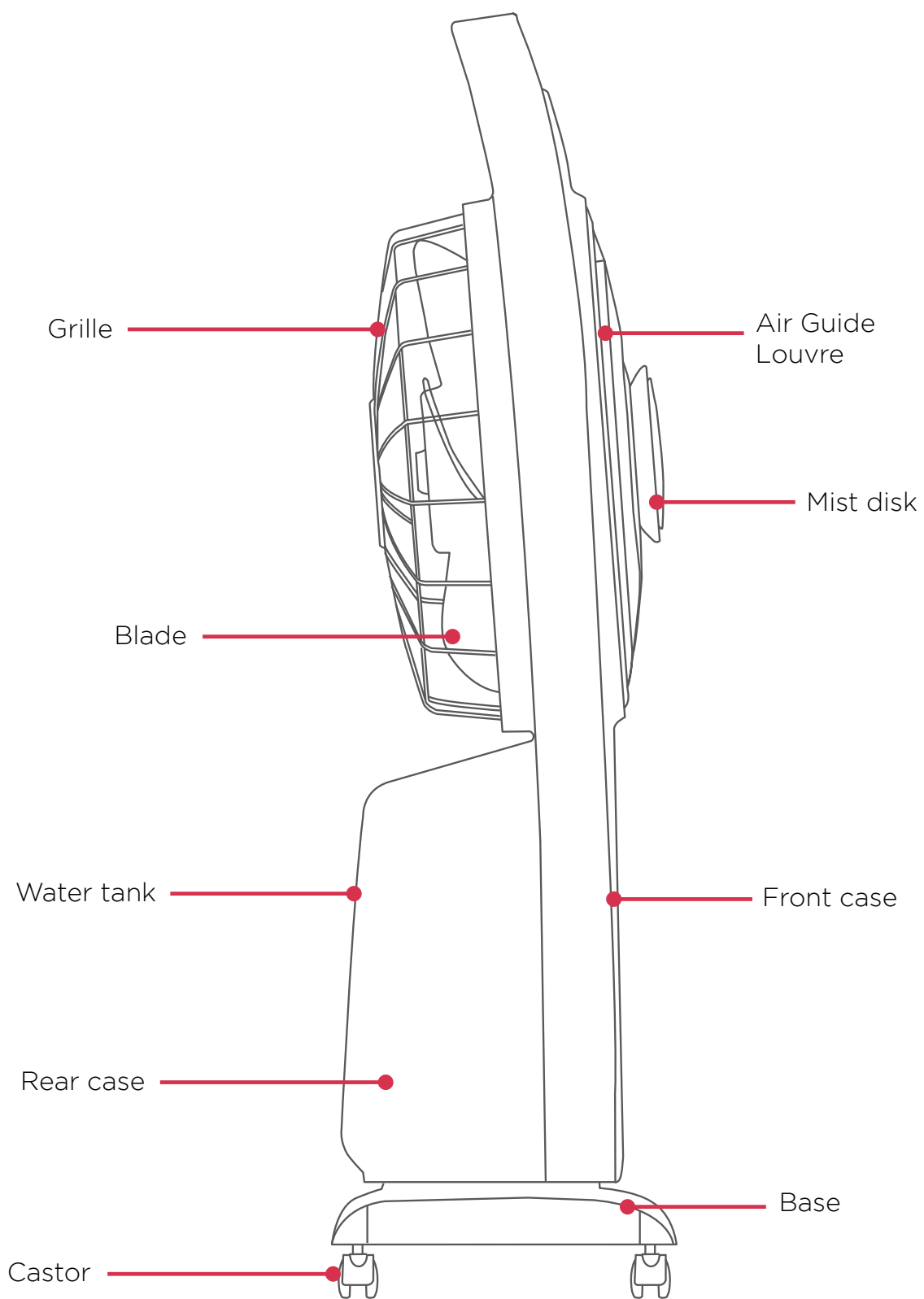
<b>Model no.</b>	<b>DCMIST25</b>
Colour	Grey/White
Power supply	220-240V~ 50Hz
Rated power	80W
Speed settings	4
Modes	3 (natural, normal & sleep)
Blade diameter	300mm
Water tank capacity	2.5L
Remote control	Y
Timer	0-8 hours
Swing function	360° rotating grill
Controls	Button with LED display
Max. room size	20m <sup>2</sup>
Water consumption	160ml/h (high speed)
Weight (net)	6.4kg
Dimensions (w x d x h)	382 x 228 x 836mm

- For greater precision, please always refer to the rating label placed on the product.

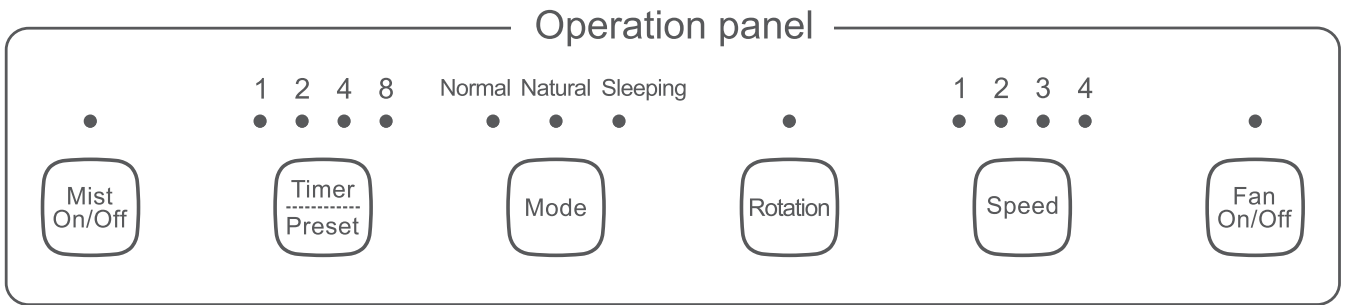
# Parts



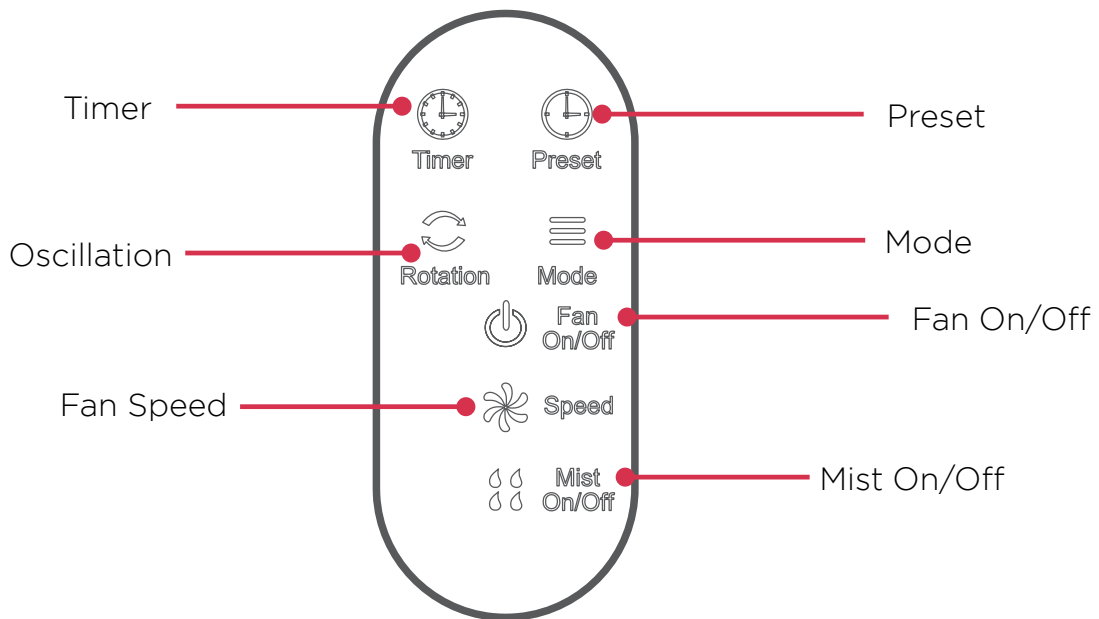
## Remote



# Display & Control Panel



# Remote Control

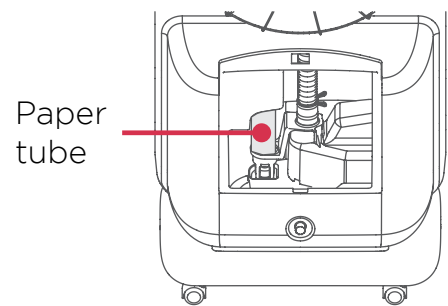


# Functions

**Before first use, remove any packaging and tape stuck on the unit.**

## ON/OFF

After connecting the cord to a power outlet press the **ON/OFF** button to turn the unit **ON**. To turn the unit **OFF** press this button again.



## FAN SPEED

The unit has 4 **FAN SPEEDS** and is adjusted from the lowest speed to the highest speed. The selected fan speed LED indicator light will illuminate according to the **FAN SPEED** selected.

## ROTATION

Press the **ROTATION** button to activate 360 degree rotation. The **ROTATION** LED indicator light will illuminate. Press the button again to turn off the function.

## MODE

The unit has 3 different modes, as described below, and the default mode after turning **ON** is normal. Press the **MODE** button to select modes in this sequence: normal > natural > sleep. The **MODE** indicator light will illuminate accordingly.

**Normal:** Constant wind speed.

**Natural:** Changing wind speeds to simulate natural wind.

**Sleep:** Changing wind speeds to simulate natural wind, however the unit will automatically turn off after 8 hours.

## TIMER / PRESET

The auto-off **TIMER** can be set in 1 hour increments up to a maximum of 8 hours. Press the **TIMER** button while the unit is **ON** until the desired time is shown on the LED indicators on the display panel. The unit will automatically turn **OFF**.

To activate the **PRESET** mode, press the button while the unit is in Standby mode, and the unit will be set to turn **ON** after the **PRESET** time is complete. The **PRESET** time will show on the indicator lights.



## **MIST**

To activate the **MIST** function, press the **MIST** button once to turn on. Ensure there is enough water in the water tank. The LED indicator light will illuminate once activated. Press this button again to turn off the **MIST** function, and to use as a fan only. The unit is also equipped with the below functions.

## **DISPLAY OFF**

When the unit is working, after 40 seconds of any buttons being pressed, the indicator lights will turn **OFF**. Press any button (except for the **ON/OFF** button) and the indicator lights will reactivate.

## **MEMORY FUNCTION**

This unit has a memory function. When the fan is turned **OFF**, it memorises the settings previously used. When the unit is turned **ON** again, it will start in the same settings as previously used (unless the power supply was fully disconnected). If the unit was in **SLEEP** mode previously, it will start in natural wind mode.

## **AUTO OFF**

If there isn't any change in settings after 15 hours of constant use, the unit will turn **OFF** automatically. This is an additional safety feature in case the unit is left **ON** accidentally.

## **REMOTE CONTROL**

This unit comes with a remote control, and all settings can be controlled via the remote.

## Filling the water tank

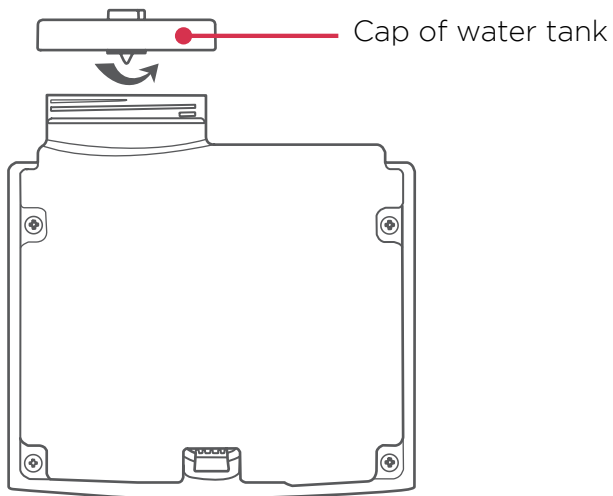
### Filling the water tank:

Place the unit on a flat surface and fill the water tank according to the following 3 steps.

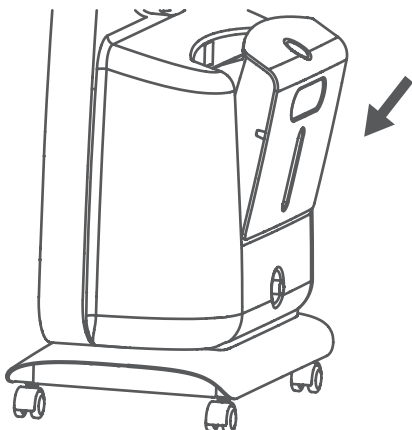
Press water tank button and remove the tank.



Turn the water tank upside down and unscrew the cap. Fill the tank with clean cold filtered water.



Replace the cap, ensure it is secured tightly, and replace the tank back into the unit.



## Operation & Set Up

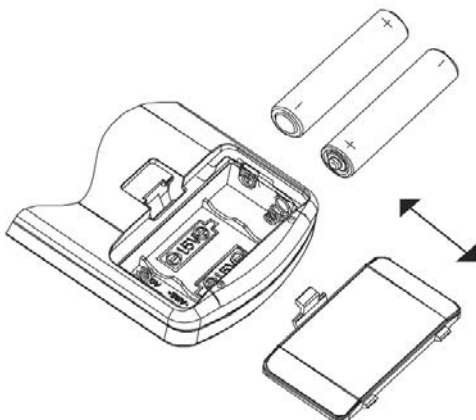
1. Remove the unit from its packaging & place on a firm stable surface.
2. To use the **MIST** function, fill the water tank as instructed on the previous page.
3. Plug into a power outlet and press the **ON/OFF** button to turn ON the unit.
4. The unit will operate initially on a continual basis. If a set period of operation is required, please follow the **TIMER/PRESET** instructions on page 8.
5. Select the desired fan **FAN SPEED** by pressing the **FAN SPEED** button. Refer to page 8 for different settings.
6. Select the operation **MODE** as required, by pressing the **MODE** button. Refer to page 8 for different settings.
7. Press the **ROTATION** button if 360 degree rotation is required.
8. To switch the unit off at any time, press the **OFF** button.

### Precautions

- Do not overfill the water tank (check the MAX fill line).
- Use only cold, clean filtered water.
- The unit is equipped with a number of safety devices, including water shortage protection & tank removal protection.
- Do not allow the same water to sit in the machine for a prolonged period.
- It is recommended that any water left in the machine for 3 days or more be removed and replaced with clean water.
- The control panel must not come in contact with water or any other liquids.

### Using the Remote Control

1. Open the battery cover of the remote control, and insert 2 x AA batteries.
2. Please point to the receiver when using the remote control.
3. If the battery voltage is low, please open the battery cover as per the diagram and replace with a new battery (2 x AA). Then replace the battery cover.



Due to the nature of the product, the unit should be cleaned regularly. Always turn the unit **OFF** and disconnect from the power supply before commencing any cleaning.

## De-calcifying the water tank

In areas with hard water, deposits will build up, so it is recommended to de-calcify the unit every six months. The cartridge retains calcium and mineral particles, thus preventing such substances from being emitted with the vapor and causing white deposits on furniture etc.

**Caution:** When cleaning the appliance, never use window cleaner, furniture polish, thinner, hot water over 50 degrees Celsius.

## Water Tank

The water tank should be cleaned regularly. If not cleaned, deposits may build up affecting the efficiency of the unit. Cleaning the tank with mild soapy water once every month is recommended. To do this, following the steps below:

1. Disconnect the appliance from the main supply.
2. Completely remove the water tank from the unit.
3. Remove any deposits or dirt from the tank with a mild soapy detergent and cloth.
4. Flush the tank with clean water.
5. Reverse the procedure and make sure the tank is in place before use.

## Outside Cabinet

1. Turn the unit **OFF** and disconnect the appliance from the power supply.
2. Remove any dust build up with a soft brush.
3. Wipe the surface of the unit with a soft damp cloth. Mild detergent can be used for any stubborn marks.

**Do not** use abrasive sponges, scouring pads, or a stiff brush to clean the

## IMPORTANT

The control panel and other parts must not come into contact with water or any other liquids.

## Storage

If not using the unit for an extended period of time. After cleaning please:

- Turn the unit off, unplug and take care of the mains lead & plug.
- Cover the unit and store it upright in a location where it will not receive direct sunlight. NB- Prolonged exposure to direct sunlight will discolour the enclosure.

## Maintenance

If you have lost your user manual or the unit fails to operate efficiently, is broken or other problems arise, unplug and do not operate. Ask for advice by calling your local after sales service agent or the Customer Care Centre on 1300 556 816 (AU) / 0800 666 2824 (NZ).

## Warranty

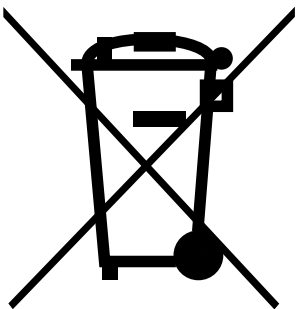
Please refer to the warranty card in the box for warranty information. For any troubleshooting advice, please contact the relative Customer Care Centre below.

### **Glen Dimplex Australia Pty Ltd**

1340 Ferntree Gully Road,  
Scoresby 3179, Victoria  
Australia  
Ph: 1300 556 816

### **Glen Dimplex New Zealand Ltd**

38 Harris Road, East Tamaki,  
Auckland 2013  
New Zealand  
Ph: 0800 666 2824



*Recycling: Do not dispose of electrical appliances as unsorted municipal waste. Use separate collection facilities. Contact your local government for information regarding the collection systems available. If electrical appliances are disposed of in landfills or dumps, hazardous substances can leak into the ground water, polluting the food chain and damaging health and well-being.*



**Customer Care:** 1300 556 816  
customer.care@glendimplex.com.au  
www.dimplex.com.au

Supplied by Glen Dimplex Australia  
1340 Ferntree Gully Road, Scoresby, Victoria, 3179

---

© Glen Dimplex Australia. All rights reserved. Material contained in this publication may not be reproduced in whole or in part, without prior permission in writing of Glen Dimplex Australia.