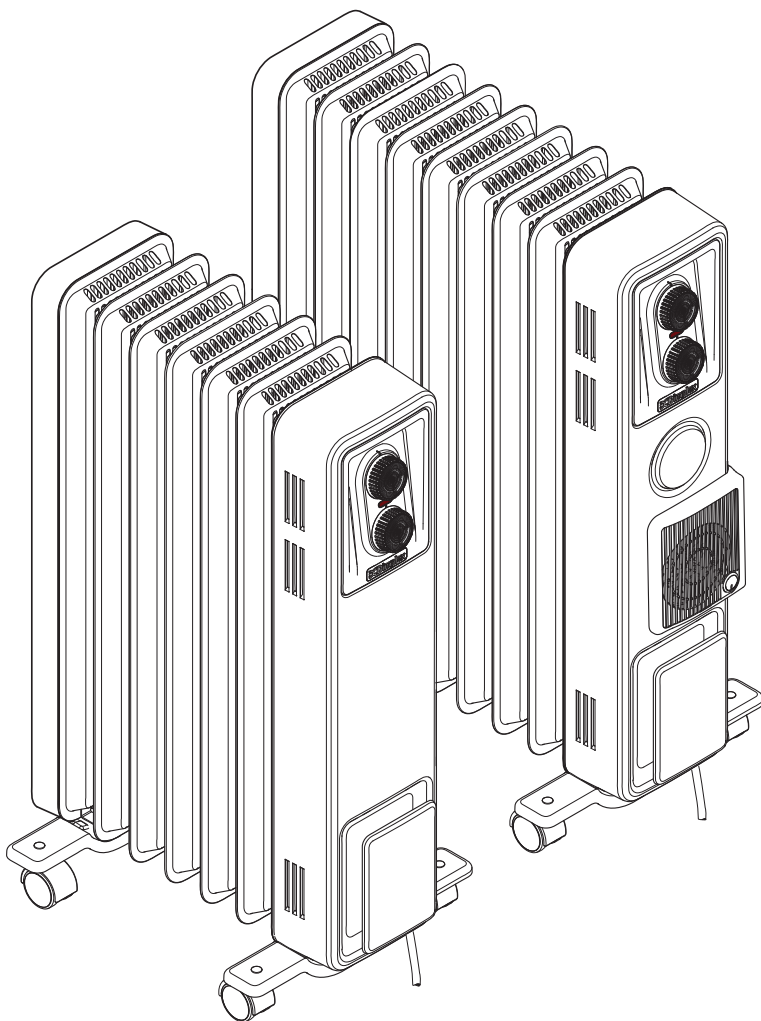




# INSTRUCTION MANUAL



## **Oil Free Column Heaters**

Models: ECR15, ECR15FA, ECR15TIF, ECR24,  
ECR24FA & ECR24TIF

---

For domestic household use only.



## IMPORTANT

THESE INSTRUCTIONS SHOULD BE READ CAREFULLY AND RETAINED FOR FUTURE REFERENCE. **Note also the information presented on the appliance**

### **CAUTION: FAILURE TO FOLLOW THESE INSTRUCTIONS MAY CAUSE INJURY AND/OR DAMAGE AND MAY INVALIDATE YOUR WARRANTY**

Please read the operating instructions carefully before using your product for the first time and keep them in a safe place.

- When using electrical appliances, basic precautions should always be followed to reduce the risk of fire, electrical shock and injury to persons, including the following:
- If the appliance is damaged, check with the supplier before installation and operation.
  - Do not use outdoors.
  - Do not use in the immediate surroundings of a bath, shower or a swimming pool.
  - Do not use this heater if it has been dropped.
  - Do not use if there are visible signs of damage to the heater.
  - Use this heater on a horizontal and stable surface, or fix it to the wall, as applicable.
- Do not locate the appliance immediately below a fixed socket outlet or connection box.
- This appliance can be used by children aged from 8 years and above and persons with reduced physical, sensory or mental capabilities or lack of experience and knowledge if they have been given supervision or instruction concerning use of the appliance in a safe way and understand the hazards involved. Children shall not play with the appliance. Cleaning and user maintenance shall not be made by children without supervision.
- Children of less than 3 years should be kept away unless continuously supervised.
- Children aged from 3 years and less than 8 years shall only switch on/off the appliance provided that it has been placed or installed in its intended normal operating position and they have been given supervision or instruction concerning use of the appliance in a safe way and understand the hazards involved. Children aged from 3 years and less than 8 years shall not plug in, regulate and clean the appliance or perform user maintenance.
- Do not use this appliance in series with a thermal control, a program controller, a timer or any other device that switches on the heat automatically, since a fire risk exists when the appliance is accidentally covered or dis-placed.
- In the event of a fault, unplug the appliance.
- Unplug the appliance when not required for long periods.
- This product is only intended for **INDOOR RESIDENTIAL** applications only.
- **DO NOT** cover cord with carpeting, throw rugs, runners, or similar coverings.
- **DO NOT** route cord under furniture or appliances. Take care to position the cord away from traffic areas and where it will not be a tripping hazard.
- This appliance must not be used in a bathroom.
- DO NOT use the heater on deep pile carpets or the long hair type of rugs, or less than 750mm(30") away from any overhanging surface. Keep combustible materials such as drapes and other furnishings clear from the front, sides and rear of the heater. Do not use heater to dry your laundry.
- Do not use this heater in small rooms when they are occupied by persons not capable of



## IMPORTANT

THESE INSTRUCTIONS SHOULD BE READ CAREFULLY AND RETAINED FOR FUTURE REFERENCE. **Note also the information presented on the appliance**

leaving the room on their own, unless constant supervision is provided.

- To reduce the risk of fire, keep textiles, curtains and or flammable material a minimum distance of 1 m from the air outlet.



- This heater carries the warning symbol indicating that it must not be covered.
- WARNING: To avoid danger of suffocation please remove all packaging materials particularly plastic and EPS and keep these away from vulnerable people, children and babies.
- WARNING: To avoid the risk of accidental strangulation from the supply cord all children and vulnerable people must be supervised when in the vicinity of the product whether it is working or not.
- DO NOT pull, carry or move the appliance using the power cable.
- WARNING: Risk of fire - Do not use this appliance connected through an extension lead or any external switching device such as a plug in timer or remote control plug in adaptor. All heating appliances draw high current through the mains supply and any weakness in the design, connections or components in these devices can easily result in overheating of the connection points resulting in melting, distortion and even the risk of fire.
- Although this appliance complies with safety standards, we do not recommend its use on deep pile carpets or on long hair type of rugs.
- The socket-outlet must be accessible at all times to enable the mains plug to be disconnected as quickly as possible.
- If the supply cord is damaged it must be replaced by the manufacturer or service agent or a similarly qualified person in order to avoid a hazard.
- Keep the supply cord away from the front of the appliance.
- DO NOT operate the radiator with the mains lead overhanging the fins.
- In order to avoid overheating, **DO NOT COVER** the appliance. Do not place material or garments on the appliance, or obstruct the air circulation around the appliance, for instance by curtains or furniture, as this could cause overheating and a fire risk.
- In order to avoid a hazard due to inadvertent resetting of the thermal cut-out, this appliance must not be supplied through an external switching device, such as a timer, or connected to a circuit that is regularly switched on and off by the utility.
- Some parts of this product can become very hot and cause burns. Particular attention has to be given where children and vulnerable people are present.
- If the radiator is tipped over, unplug it and allow it to cool before standing it back up.
- DO NOT COVER or obstruct the air inlet and outlet openings in any way.
- This instruction leaflet belongs to the appliance and must be kept in a safe place. If changing owners, the leaflet must be surrendered to the new owner.



Exposed to the weather outdoors



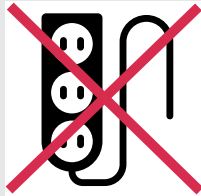
Near water



If the power cable wires are frayed or cut



Where small children may be left unattended



If an extension lead may become overloaded



Where the power cable may be damaged



On a slope or uneven surface



Where there is risk of fire or close to a naked flame



Where it may be damaged by chemicals



Where there is a risk of interference by foreign objects



This product is not made for DIY repair



If there is a risk of water falling on the unit

## Specifications

Model no.	ECR15	ECR15FA	ECR15TIF	ECR24	ECR24FA	ECR24TIF
Power supply	230-240V~, 50Hz					
Rated power	1500W			2400W		
Heat settings	3	3	3	3	3	3
Thermostat	Y	Y	Y	Y	Y	Y
Timer	N	N	Y	N	N	Y
Turbo Fan	N	Y	Y	N	Y	Y
Weight (net)	8.1 kg	7.1 kg	7.2 kg	11.8 kg	10.7 kg	10.8 kg
Dimensions (w x d x h)	415x280x635mm	320x280x635mm	320x280x635mm	585x280x635mm	505x280x635mm	505x280x635mm

For greater precision, please always refer to the rating label placed on the product.

**WARNING THIS APPLIANCE MUST BE EARTHED**

## Fitting The Castors

**WARNING** The radiator must only be operated with the wheels and castors fitted and in an upright position. The castors must be fitted to the underside of the control panel and on the bracket between the last and second last fin on the opposite end, as shown in **Fig.1**.

1. To fit the castors, turn the radiator upside down on a carpet or other soft surface to avoid damage. **Warning:** The radiator is heavy – ensure that it is supported to prevent it from toppling. Ask a second person to help with this if necessary.
2. To fit the castors, position the castor plates (A) in position and secure using the wing bolts provided (B). There are guides to ensure the correct positioning and orientation of the castor plate.
3. Return the radiator to the correct orientation so it rests on the castors. The product is now ready for use.

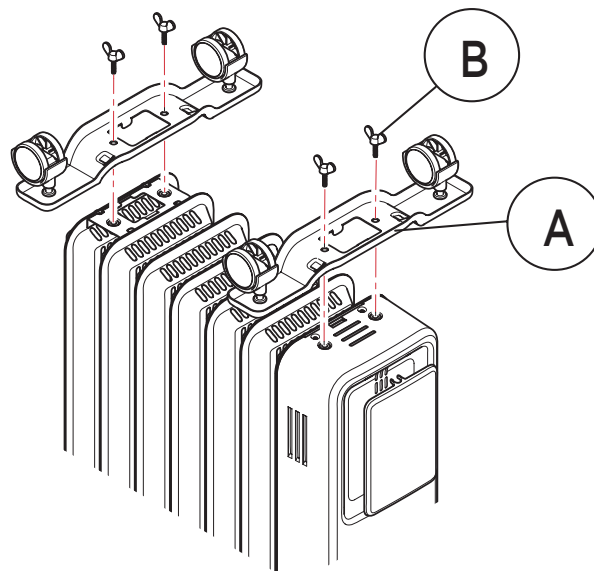
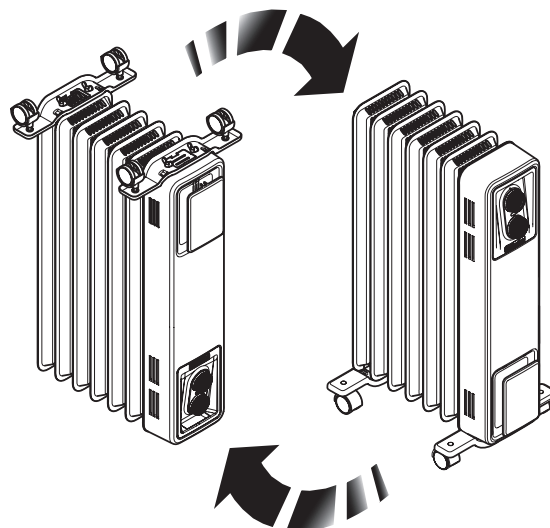


Fig. 1



## Positioning

Select the position for the heater ensuring there is clearance from any furniture and fittings of at least 300mm above the heater and 150mm each side and 300mm from the control and end panel. We recommend maximising the clearance where possible.

**NOTE:** The radiator is designed for operation on an AC electricity supply, and is only suitable for domestic use and similar indoor locations.

### Tips

- The radiator is fitted with castors and a handle for ease of movement.
- A rotary selector switch provides the ability to choose an available heat output and an adjustable thermostat enables the room temperature to be controlled accordingly.
- Once the castors have been correctly fitted, no other assembly is required, just plug and play!

## Safety Features

This appliance incorporates a number of safety devices. In addition to the 'Important Safety Advice' section your attention is drawn to the following;

### Tilt Switch

The tilt switch will prevent the heater from working if it is accidentally tipped over on its side.

If the radiator is tipped over while it is hot, disconnect the power and allow it to cool, then stand the radiator back upright. Reconnect the power - normal operation should be resumed.

### Overheat Protection

The heater is fitted with a temperature limiter which will reduce the output of the heater should it overheat for any reason. The product will return to normal operation after the cause of the over heating has been rectified.

## IMPORTANT - OBJECTS OR CLOTHING MUST NOT BE PLACED ON THIS HEATER.

Before using the heater ensure that all warnings and instructions have been read carefully. To activate the heater simply plug it in. Neon indicator lights located at the control area will illuminate when the appliance is plugged into the mains. This indicates the appliance is energised and ready to use.

**Please note** - The element has been coated with a protective film which will burn off during the first few minutes of use, this may cause a small amount of fuming. This is quite normal - the fumes are non-toxic and will quickly disappear.

We recommend that you open a window to ventilate the room when using the heater for the first time.

## CONTROLS

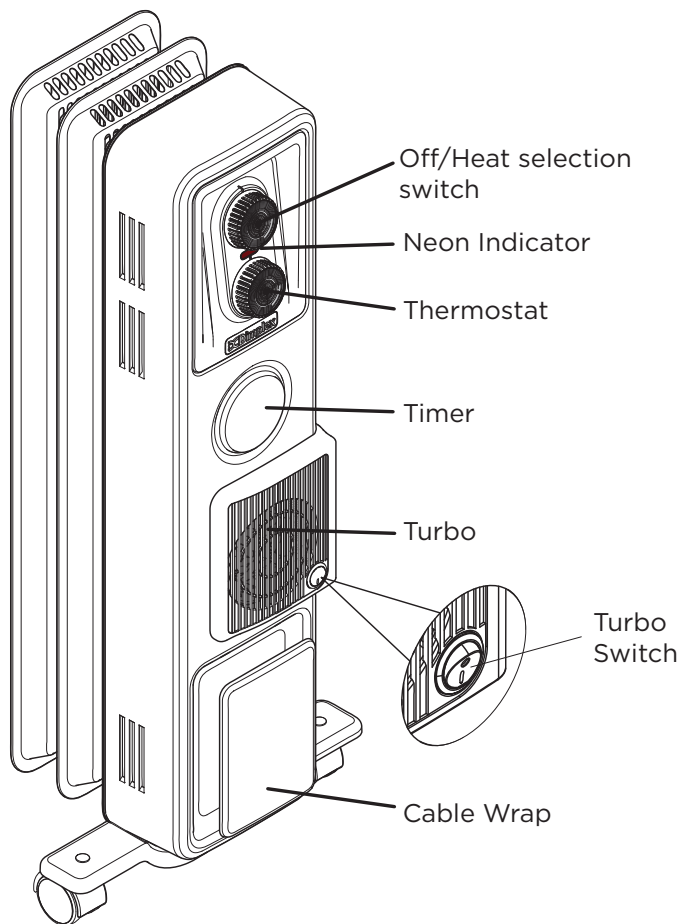


Fig. 2

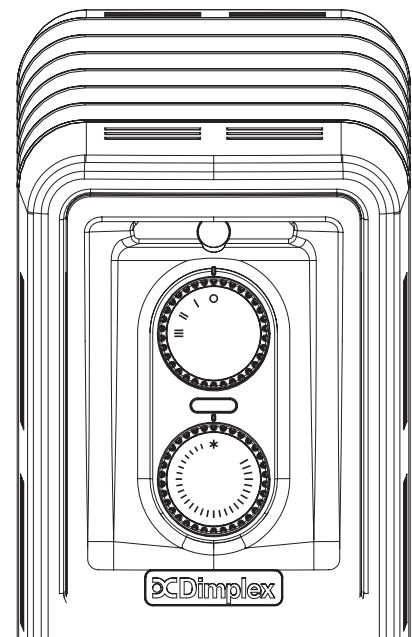


Fig. 3



## Thermostat

The Thermostat, see **Fig.2** controls the heat output according to the room temperature. This ensures that the heater will not produce heat unnecessarily when the room is warm.

1. To set the temperature you require, turn the thermostat knob clockwise until the required setting is reached. Alternatively to heat a cold room quickly, turn the thermostat knob up fully.
2. When the room has reached the desired temperature, turn the thermostat knob anti-clockwise until the thermostat just clicks off. The heater will now automatically operate at this temperature.
3. The thermostat also has a frost protection setting marked '\*', This setting is useful in areas such as garages, to prevent frost damage. If the thermostat is set to its minimum setting '\*', the heater will cycle on and off to maintain a temperature of approximately 5° to help protect against frost.

**Note** - Should the heater fail to come on when the thermostat is at a low setting, this may be due to the room temperature being higher than the thermostat setting.

## Heat Selector Switches (see Fig.3)

Heat selection is provided via a rotary switch offering four settings. The heat output can be altered to suit the application, conditions and for improve the economy of operation.

Available output options are as follows:

Model	Switch setting				With Turbo ON	Only Turbo ON
	O	I	II	III		
ECR15	Off	500W	1000W	1500W	N/A	N/A
ECR15FA	Off	400W	800W	1200W	1500W	300W
ECR15TIF	Off	400W	800W	1200W	1500W	300W
ECR24	Off	800W	1600W	2400W	N/A	N/A
ECR24FA	Off	700W	1400W	2100W	2400W	300W
ECR24TIF	Off	700W	1400W	2100W	2400W	300W

## ELECTROMECHANICAL TIMER (Ti models)



Fig. 4

### Setting the time of day

To set the time of day, rotate the timer dial clockwise (indicated by the arrow) until the correct time of day is opposite the reference mark ► - see **Fig.4**. The 24-hour clock is used; e.g. time shown for 4pm is '16' (16:00hrs).

### Operation Modes

Set the operation mode using the slide switch on the timer - see **Fig.5**:

#### Position I - Manual operation

This setting allows power to the heater uninterrupted by the timer settings. The heat selector switch and thermostat will control the output (see 'Controls').

#### Position G - 'Auto' operation

This setting allows the heater to be switched ON and OFF according to a set 24 hour program period.

**DO NOT** disconnect this heater from the mains supply unless it is being taken out of use (e.g. in summer or for storage), otherwise the timer clock will stop.

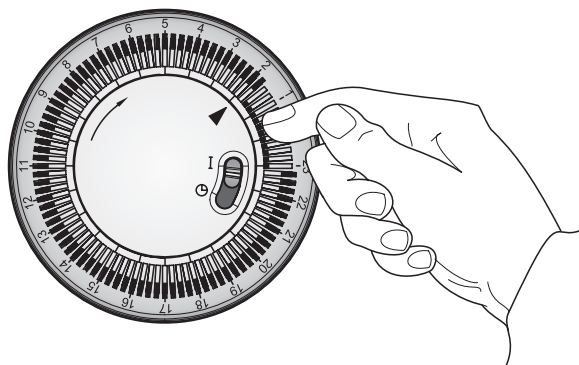


Fig. 5

## Setting the 'Auto' ON and OFF times

To set the timer:

1. Using your fingertip or tip off a pencil, push in as many segments as necessary around the dial, according to the times you don't require heat - see **Fig.5**. Each segment pushed in switches the heater OFF for that part of the hour. All other segments will be ON. For example, **Fig.5** shows the timer set to switch the heater OFF between 11pm and 1.45am.
2. You can select as many ON periods as you like, within the 24-hour day. The settings will repeat every day until changed.
3. To change ON and OFF times, simply push in any 'ON' segments you wish to cancel and pull out new 'ON' segments as required.

**NOTE:** each segment represents 15 minutes

## Turbo fan

The turbo fan is used to boost the heat output and also the airflow around the room. This circulates the heat and results in a reduced heat up time and a more even heat distribution. The turbo fan is controlled by the switch on the front of the product, **Fig.2**.

The turbo can be turned on independently of the heat.

## Cleaning

Over time, dust can accumulate on the heater which can effect performance. It is recommended to clean the unit at least once a month.

1. Turn the unit OFF and disconnect the appliance from the power supply.
2. Remove any dust build up with a soft brush.
3. Wipe the surface of the unit with a soft damp cloth. Mild detergent can be used for any stubborn marks.

### **IMPORTANT**

The control panel and other parts must not come into contact with water or any other liquids.

### **Storage**

If the product will be stored for an extended period of time, then please ensure:

- Control switch is OFF and remove plug from the power outlet.
- To cover the unit and store it upright in a location where it will not receive direct sunlight. NB- Prolonged exposure to direct sunlight will discolour the unit.

## Maintenance

If the unit fails to operate efficiently, is broken or other problems arise, unplug and do not operate. Ask for advice by calling your local after sales service agent or the Customer Care Centre on 1300 556 816 (AU) / 0800 666 2824 (NZ).

## Warranty

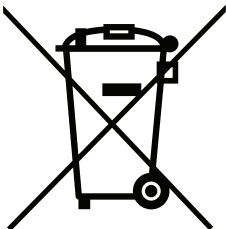
Please refer to the warranty card in the box for warranty information. For any troubleshooting advice, please contact the relative Customer Care Centre below.

### **Glen Dimplex Australia Pty Ltd**

8 Lakeview Drive,  
Scoresby 3179, Victoria  
Australia  
Ph: 1300 556 816

### **Glen Dimplex New Zealand Ltd**

38 Harris Road, East Tamaki,  
Auckland 2013  
New Zealand  
Ph: 0800 666 2824



*Recycling: Do not dispose of electrical appliances as unsorted municipal waste. Use separate collection facilities. Contact your local government for information regarding the collection systems available. If electrical appliances are disposed of in landfills or dumps, hazardous substances can leak into the ground water, polluting the food chain and damaging health and well-being.*







**Customer Care:** 1300 556 816  
customer.care@glendimplex.com.au  
www.dimplex.com.au

Supplied by Glen Dimplex Australia  
1340 Ferntree Gully Road, Scoresby, Victoria, 3179

---

© Glen Dimplex Australia. All rights reserved. Material contained in this publication may not be reproduced in whole or in part, without prior permission in writing of Glen Dimplex Australia.