

EBE4507SA

A 453L frost free bottom mount refrigerator with best in class energy efficiency, FreshZone™ double insulated crispers & a mark resistant stainless steel finish.

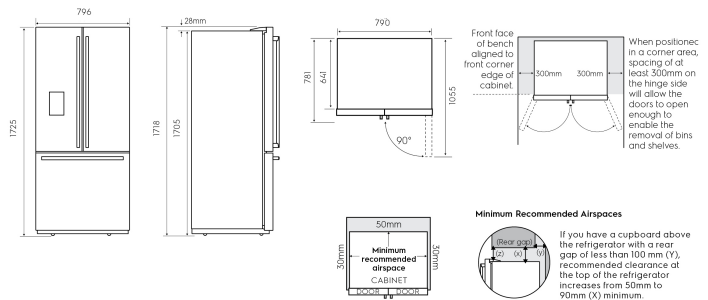
Features

- FreshPlus Cooling
- FreshZone™ Double Insulated Crispers
- FlexStor
- Energy efficiency
- Holiday mode
- Boost mode
- Fast Ice function
- Fridge & freezer door alarm
- Multi-flow air delivery
- Multi-function electronic touch controls
- Frost free
- R600a refrigerant
- FreshSense deodoriser
- Wine Caddy
- LED Lighting

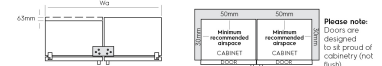
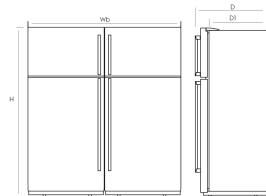


DIMENSIONS

Total height (mm) - 1725, Cabinet height (mm) - 1705, Max door height (mm) - 1718, Total width (mm) - 699, Cabinet width (mm) - 693, Total depth (mm) - 773, Cabinet depth (mm) - 641, Depth door open 90degree (mm) - 1360, Air space at sides (mm) - 30, Air space behind (mm) - 50, Food compartment capacity (gross in litres) - 311, Total Gross Capacity (L) - 453, Air space above cabinet (mm) - 50, Food compartment capacity (net in litres) - 297, Total Net Capacity (L) - 419, Freezer compartment capacity (gross in litres) - 142



Joined dimensions



Joined cabinet dimensions

individual cabinet width (W)	individual cabinet height (H)	max door height (H1)	joined cabinet width (W1)	joined door width (W2)	max total depth (D)	max cabinet depth (D1)
693	693	1705	1725	1407	1409	773
693	790	1705	1725	1504	1516	773
790	790	1705	1725	1601	1613	773

Please note: Doors are designed to sit around of cabinetry (not flush).