

EVEP626DSD

60cm Dark stainless steel 13/7 multifunction duo oven with Bake +Steam, pyrolytic cleaning, Intuitive Oven Interface and Smart Food Probe.

Features

- Bake +Steam
- Intuitive Oven Interface (IOI)
- Smart Food Probe
- Pyrolytic self-cleaning in top and bottom oven
- FullFlex Telescopic Runners
- Surround lighting for better illumination
- Soft close door
- 13/7 oven functions
- Large 80L/46L oven capacity

Included accessories:

baking tray, side racks, grill/oven pan, cast baking dish, telescopic runners x 3, 3 x chromed wired shelves



Product Dimension

Total height (mm) - 890, Total width (mm) - 596, Total depth (mm) - 572, CM Tech data - 60cm

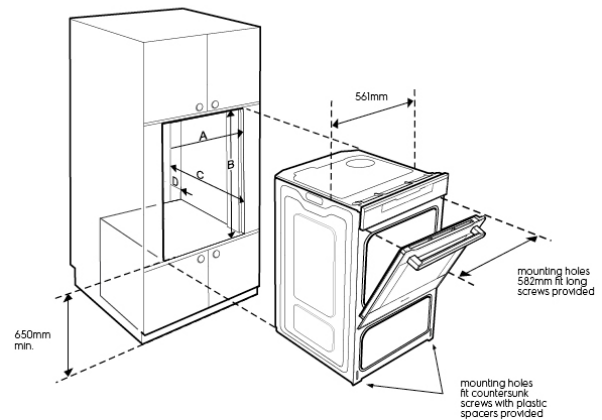
Flush fit cut out

Flush fit cut out height (mm) - 893, Flush fit cut out width (mm) - 600, Flush fit cut out depth (mm) - 581

Models:
EVEP626SD
EVEP626DSD
EVE626DSD

Duo cut-out dimensions

Type of fit	A (width)	B (height)	C (depth)	D*
Flush fit (mm)	600	893	581	20



Notes: Dimensions to be used as a guide only. All customers MUST refer to the user manual supplied with the product for detailed installation instructions.
*** D - Clearance:** For proper ventilation there must be a gap at the bottom rear of the cabinet. This can be a 20mm deep or an equivalent, full width opening (e.g. a series of holes with a min-area of 220cm²). The opening must be clear of the product when fully installed. This is a requirement of any EVEFlexxx and Duo models. If the supply cords damaged must be replaced by the manufacturer, its service agent or similarly qualified persons prior to avoid a hazard.
 © 2019 Electrolux Home Products Pty Ltd. EOLM_DuoOven_1en?P