

FISHER & PAYKEL

BUILT-IN OVEN

OB76SD & OB76DD models

INSTALLATION GUIDE

NZ AU

590586G 07.18

⚠ WARNING!



Electrical shock hazard
 Before carrying out any work on the electrical section of the appliance, it must be disconnected from the mains electricity supply. Connection to a good earth wiring system is absolutely essential and mandatory.
 Alterations to the domestic wiring system must only be made by a qualified electrician.
 Failure to follow this advice may result in electrical shock or death.

⚠ WARNING!



Fire hazard
 Do not use adapters, reducers, or branching devices to connect this appliance to the mains power supply.
 Failure to follow this advice may result in overheating, burning, or fire.

⚠ WARNING!



Cut hazard
 Take care - some panel edges are sharp.
 Failure to use caution could result in injury or cuts.

⚠ WARNING!

DOUBLE
oven
models



409 lb
186 kg

Very Heavy
 Do not attempt to lift this product unassisted.
 Lifting unassisted may cause serious injury.

SINGLE
oven
models



242 lb
110 kg

IMPORTANT SAFETY INSTRUCTIONS!

- Save these instructions for the local inspectors use.
- To avoid hazard, follow these instructions carefully before installing or using this appliance.
- Please make this information available to the person installing the appliance - doing so could reduce your installation costs.
- This appliance must be installed and connected to the mains power supply only by a suitably qualified person according to these installation instructions and in compliance with any applicable local building and electricity regulations. Failure to install the appliance correctly could invalidate any warranty or liability claims.
- If the installation requires alterations to the domestic electrical system, call a qualified electrician. The electrician should also check that the socket cable section is suitable for the electricity drawn by the oven.
- The oven must be earthed.
- If the power supply cable is damaged, it must be replaced by the manufacturer, its service agent or similarly qualified person in order to avoid a hazard.
- Isolating switch: make sure this oven is connected to a circuit which incorporates an isolating switch providing full disconnection from the power supply in accordance with the wiring rules.
- Do not use adaptors, reducers or branching devices to connect the oven to the mains electricity supply, as they can cause overheating and burning.
- Make sure the cavity is completely sealed with no gaps. This is to ensure the oven cooling system functions correctly.
- The appliance must not be installed behind a decorative door in order to avoid overheating.

**IMPORTANT!
 SAVE THESE INSTRUCTIONS**

The models shown in this installation guide may not be available in all markets and are subject to change at any time. For current details about model and specification availability in your country, please go to our website www.fisherpaykel.com or contact your local Fisher & Paykel dealer.

② PARTS SUPPLIED

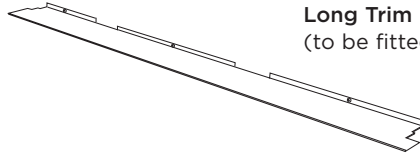


Screws

(2) for Single oven models
(4) for Double oven models

Spacers

(2) for Single oven models
(4) for Double oven models



Long Trim (1)

(to be fitted in a flush installation)

③ PRIOR TO INSTALLATION

- The benchtop and oven cavity are square and level, and are the required dimensions.
- The installation will comply with all clearance requirements and applicable standards and regulations.
- A suitable isolating switch providing full disconnection from the mains power supply is incorporated in the permanent wiring, mounted and positioned to comply with the local wiring rules and regulations. The isolating switch must be of an approved type and provide a 3 mm air gap contact separation in all poles (or in all active [phase] conductors if the local wiring rules allow for this variation of the requirements).
- the isolating switch will be easily accessible to the customer with the oven installed.
- The electrician provides sufficient free length of power supply cable to reach from the bottom rear of the cavity to at least 1.5 metres in front of the bottom edge of the opening.
- The cable may enter the cavity from the side, top or bottom, but top entry must be at the rear of the cavity.
- The oven connection socket (if fitted) is outside the cavity if the oven is flush to the rear wall.
- The oven will rest on a surface that can support its weight.
- The height from the floor suits the customer.
- You consult local building authorities and by-laws if in doubt regarding installation.

IMPORTANT!

Some environmental factors and cooking habits can cause condensation in and around the oven during use. To protect surrounding cabinetry from possible damage caused by frequent or excessive condensation, we recommend moisture-proofing the oven cavity.

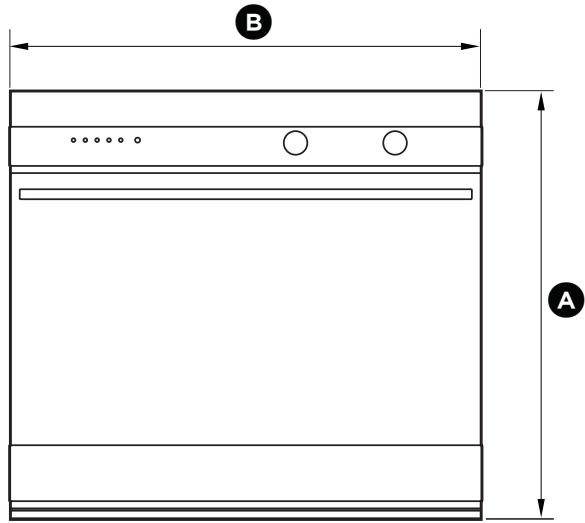
④ AFTER INSTALLATION

IMPORTANT!

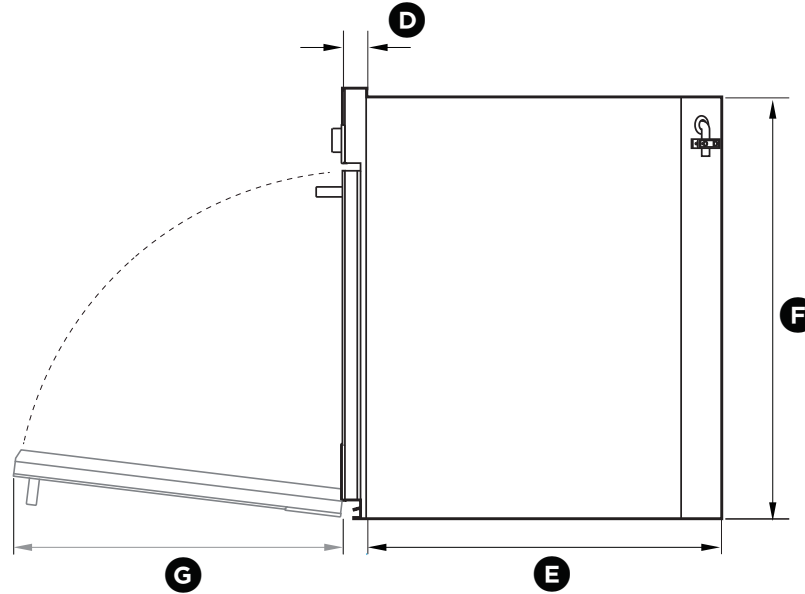
Please take extra care not to damage the lower trim of the oven during installation. The trim is important for correct air circulation and allows the door to open and close without obstruction. The manufacturer does not accept any responsibility for damage resulting from incorrect installation.

- The oven door(s) can open fully without obstruction.
- Do not seal the oven into the cabinetry with silicone or glue. This makes future servicing difficult. Fisher & Paykel will not cover the costs of removing the oven, or of damage caused by this removal.
- The power supply cable does not touch any hot metal parts.
- The isolating switch is easily accessible to the customer with the oven installed.
- You complete the 'Final checklist' at the end of the installation.
- If, after following the instructions given, correct performance cannot be achieved, please contact your nearest Fisher & Paykel Authorized Service Center, Customer Care, or contact us through our local website listed at the end of this document.

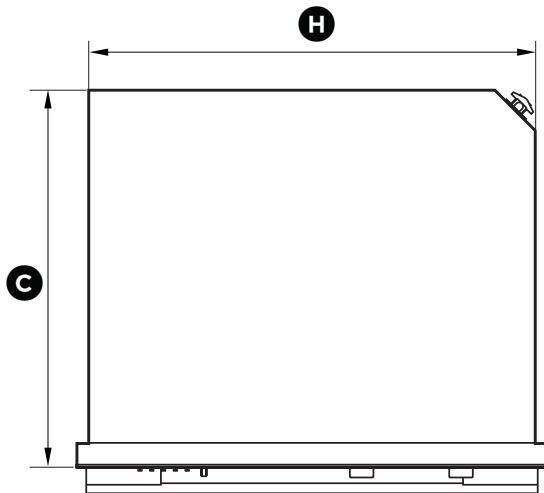
⑤ **PRODUCT DIMENSIONS - SINGLE OVENS**



FRONT



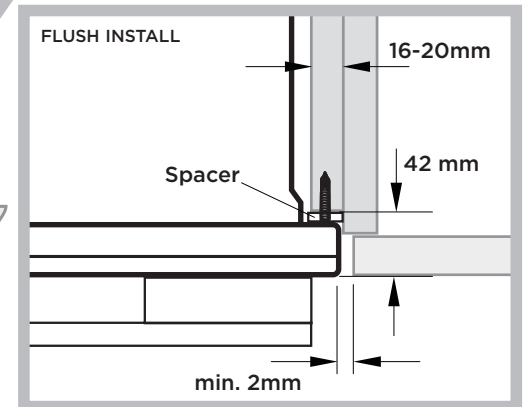
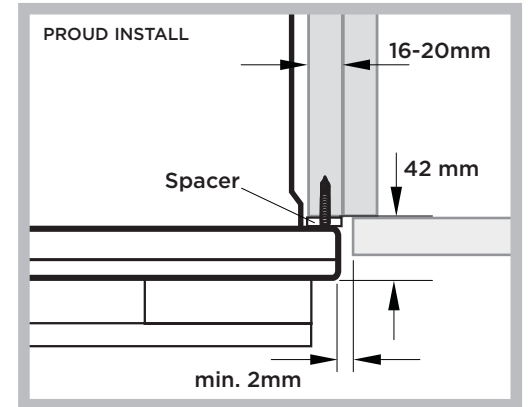
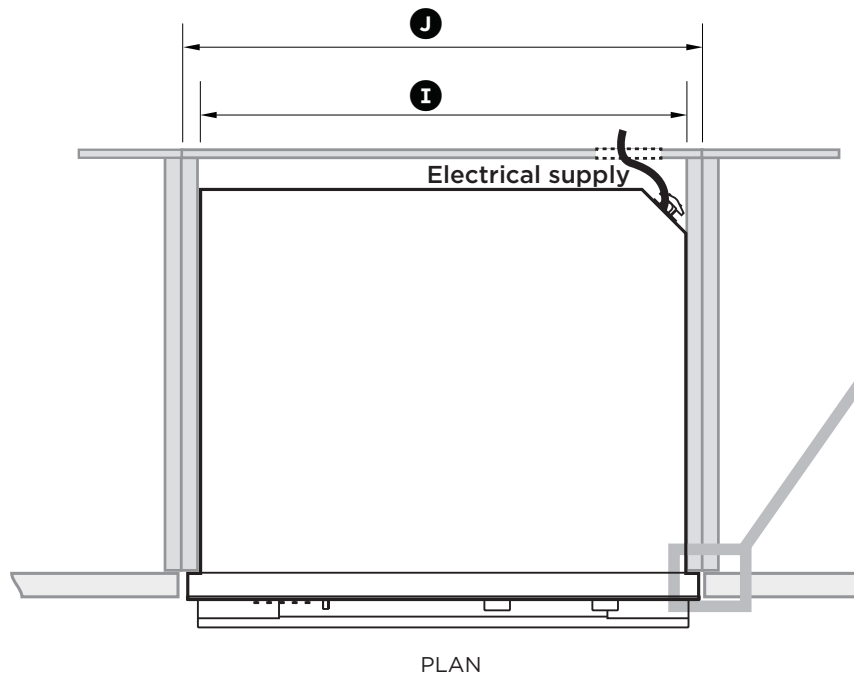
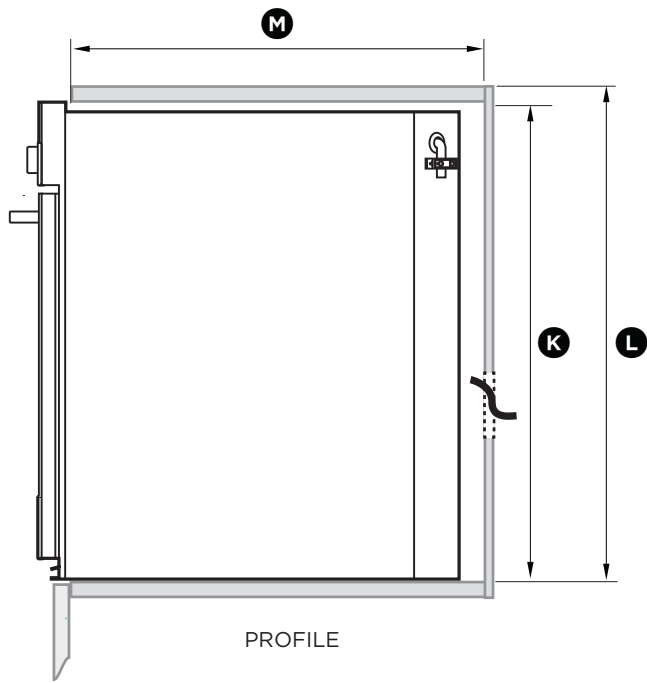
PROFILE



PLAN

PRODUCT DIMENSIONS		OB76SD
		MM
(A)	Overall height of product	689
(B)	Overall width of product	760
(C)	Overall depth of product (excludes handle and dials)	608
(D)	Depth of oven front and control panel (excludes handle and dials)	39
(E)	Depth of chassis (does not include oven front)	569
(F)	Height of chassis	675
(G)	Depth of door (open) (measured from front of door)	530
(H)	Overall width of chassis	720

5 CABINETY DIMENSIONS - SINGLE OVENS



CABINETY DIMENSIONS	OB76SD	
		MM
ⓐ Minimum inside width of cavity		724
ⓑ Overall width of cabinetry		764
ⓒ Minimum inside height of cavity		681
ⓓ Overall height of cabinetry		693
ⓔ Minimum inside depth of cavity	Proud install	575
	Flush install	614

Note: If installing a cooktop above the oven, ensure adequate clearance is provided for the cooktop as per the cooktop manufacturer's instructions.

IMPORTANT!

FLUSH INSTALLATION

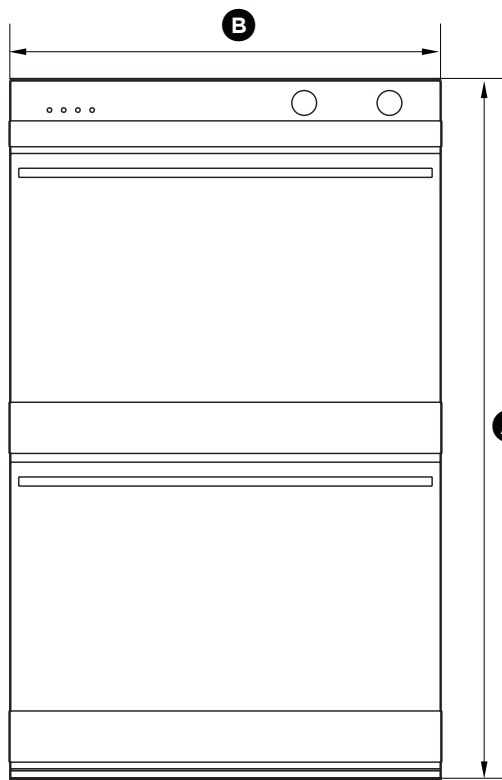
The depth of the control panel (D) with the fitted spacer is larger than conventional ovens. Ensure you have created a 42mm recess in cabinetry.

If flush installing, you need to replace the lower trim with the supplied long trim at the base of the oven. Refer to Step 11 for instructions.

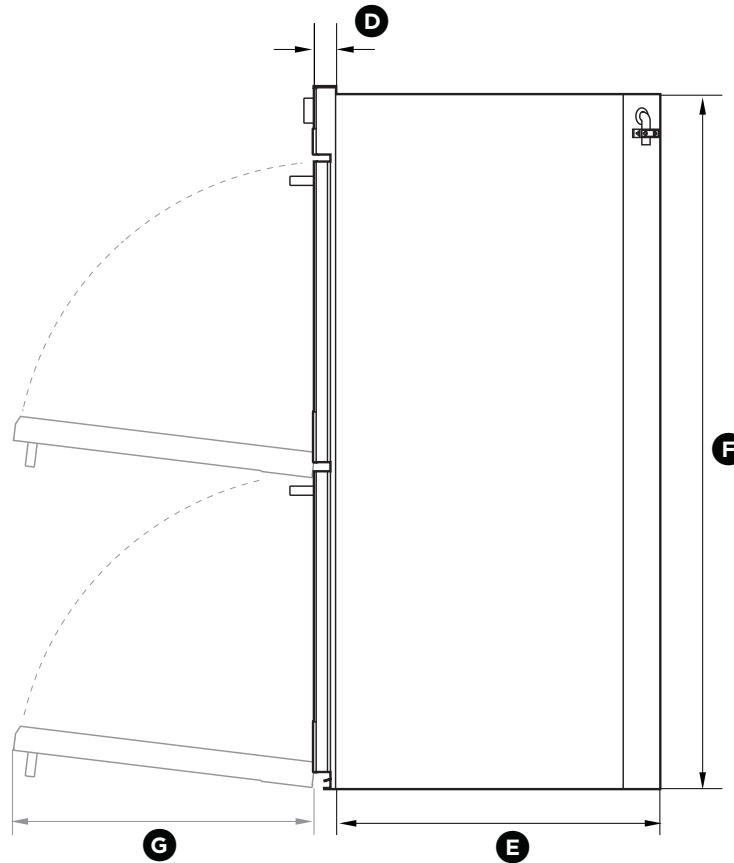
IMPORTANT!

Make sure the cavity is completely sealed with no gaps. This is to ensure the oven cooling system functions correctly.

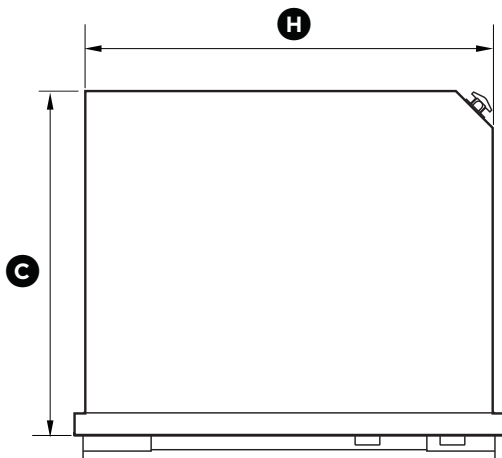
5 PRODUCT DIMENSIONS - DOUBLE OVENS



FRONT



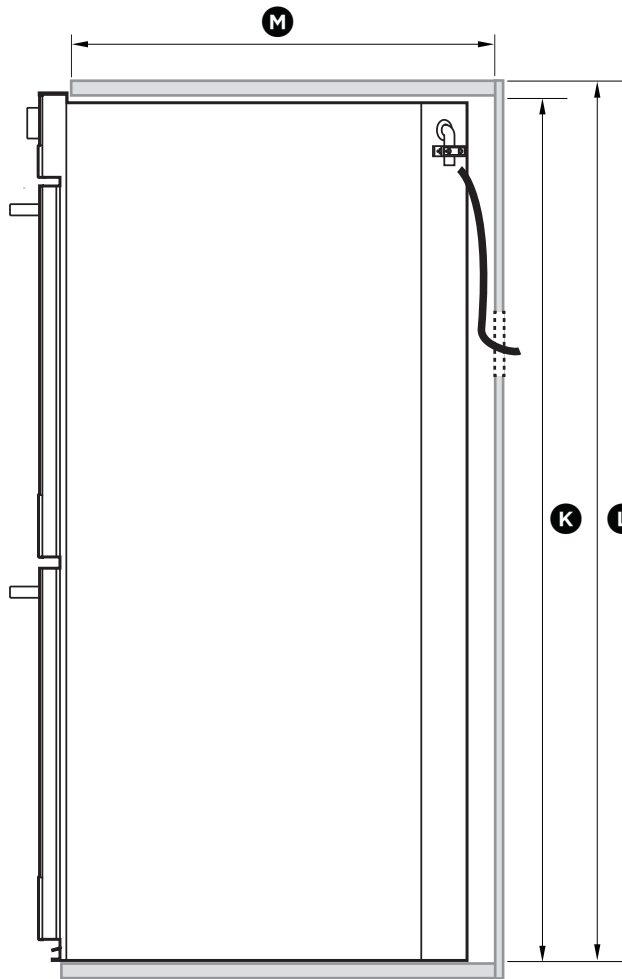
PROFILE



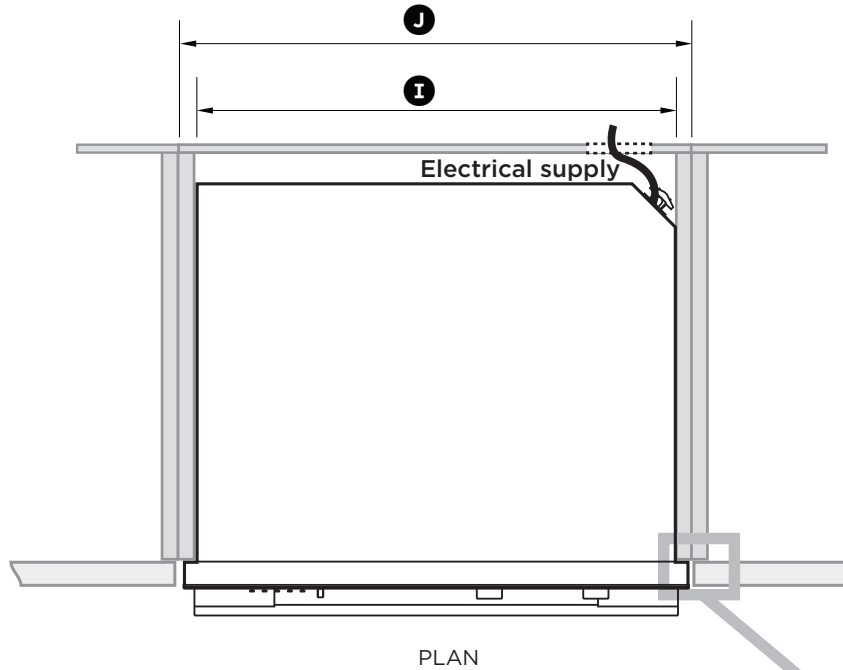
PLAN

PRODUCT DIMENSIONS	OB76DD
	MM
(A) Overall height of product	1232
(B) Overall width of product	760
(C) Overall depth of product (excludes handle and dials)	608
(D) Depth of oven front and control panel (excludes handle and dials)	39
(E) Depth of chassis (does not include oven front)	569
(F) Height of chassis	1218
(G) Depth of door (open) (measured from front of door)	530
(H) Overall width of chassis	720

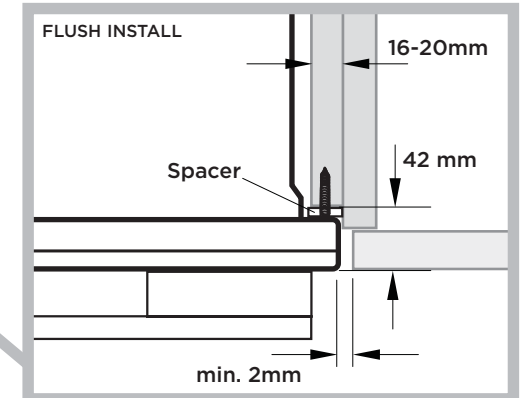
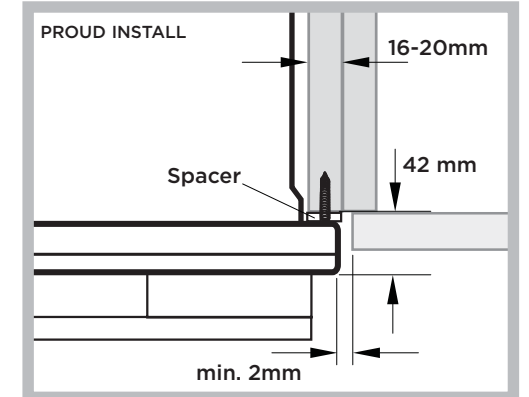
5 CABINETY DIMENSIONS - DOUBLE OVENS



PROFILE



PLAN



CABINETY DIMENSIONS		OB76DD
		MM
ⓐ	Minimum inside width of cavity	724
ⓑ	Overall width of cabinetry	764
ⓒ	Minimum inside height of cavity	1224
ⓓ	Overall height of cabinetry	1236
ⓔ	Minimum inside depth of cavity	
	Proud install	575
	Flush install	614

IMPORTANT!

FLUSH INSTALLATION

The depth of the control panel (D) with the fitted spacer is larger than conventional ovens. Ensure you have created a 42mm recess in cabinetry.

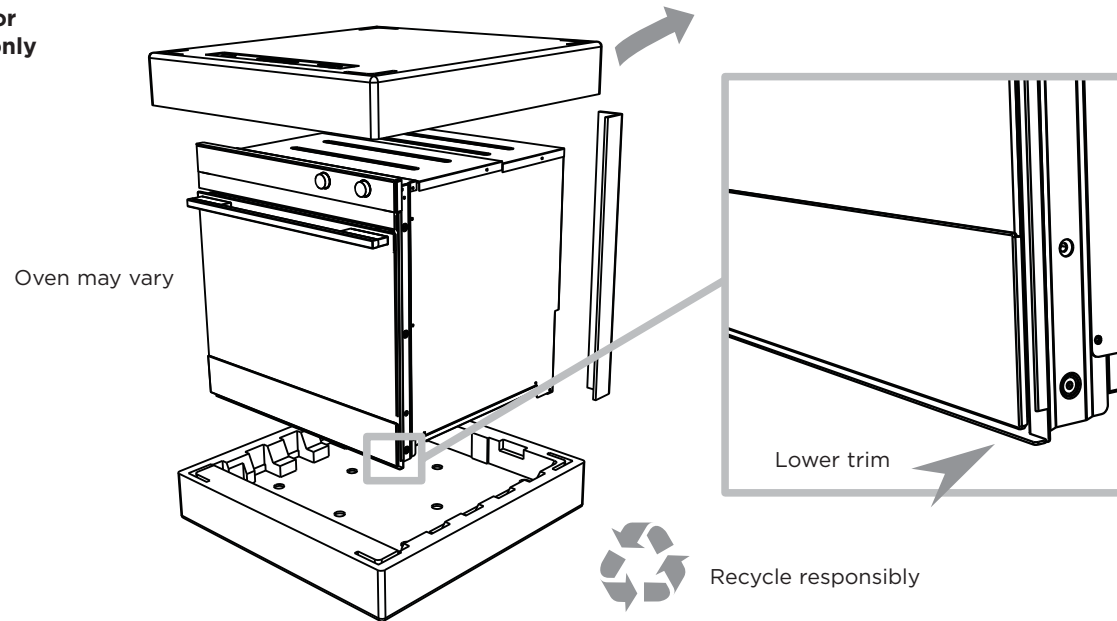
If flush installing, you need to replace the lower trim with the supplied long trim at the base of the oven. Refer to Step 11 for instructions.

IMPORTANT!

Make sure the cavity is completely sealed with no gaps. This is to ensure the oven cooling system functions correctly.

⑥ DISCARD PACKAGING RESPONSIBLY

Single model shown for illustration purposes only



Oven may vary

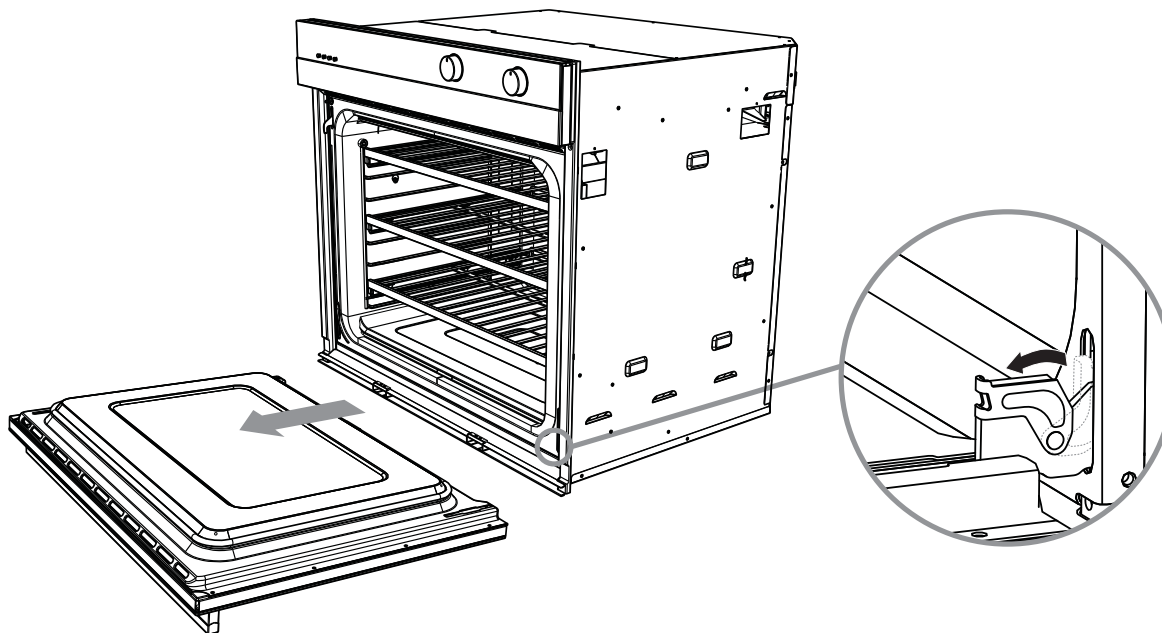


IMPORTANT!

When you remove the oven from the carton be careful not to damage the lower trim. The trim is important for both ventilation and to ensure the door opens fully without obstruction.

Make sure you remove the Long Trim from the packaging.

⑦ REMOVE THE DOOR(S)



IMPORTANT!

Do not lift the oven by the door handle.

- ① Open the door completely.
- ② Unlock the door hinges by rotating the lock forward.
- ③ Once both hinges are unlocked, Grab the sides of the door and gently lift up and slightly forward, the door will unlatch from the hinge.
- ④ Continue to lift and pull the door away from the range.

Double oven models only:

Remove both doors.

⑧ ELECTRICAL CONNECTION TO JUNCTION BOX

IMPORTANT!

- This oven must be connected to the mains power supply only by a suitably qualified person.
- This oven must be earthed.

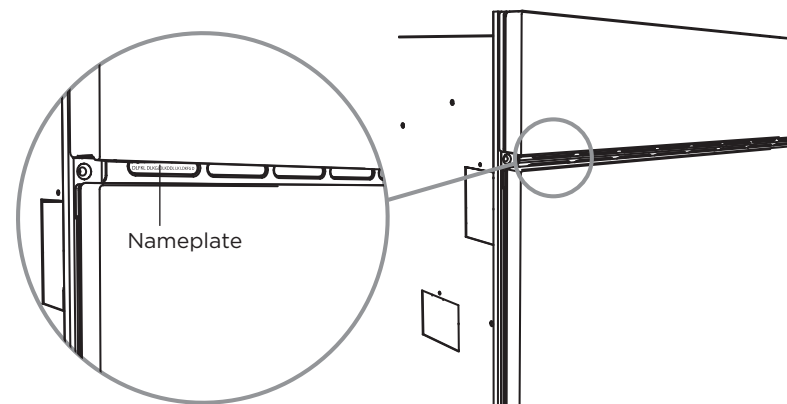
MODEL CODE	MAX POWER (KW)	HZ	VOLTAGE (V)
OB76SD	4.25	50 Hz	220 - 240 V~
OB76DD	8.50	50 Hz	220 - 240 V~

We recommend that the power outlet is located in the right rear corner of the cabinet cavity. This allows the power supply cable to sit inside the rear chamfered corner of the oven and prevents it being jammed between the cabinet wall and rear of the oven.

Before connecting the oven to the mains power supply, check that:

- the domestic wiring system is suitable for the power drawn by the oven (as specified on the rating plate)
- the voltage corresponds to the value given on the rating plate.

Note: For connection to the terminal block the maximum conductor size is 6 mm².



⑨ SECURE THE OVEN TO THE CABINETY

- ① Position the oven in the prepared cavity.

IMPORTANT!

Do not lift the oven by the door handle.

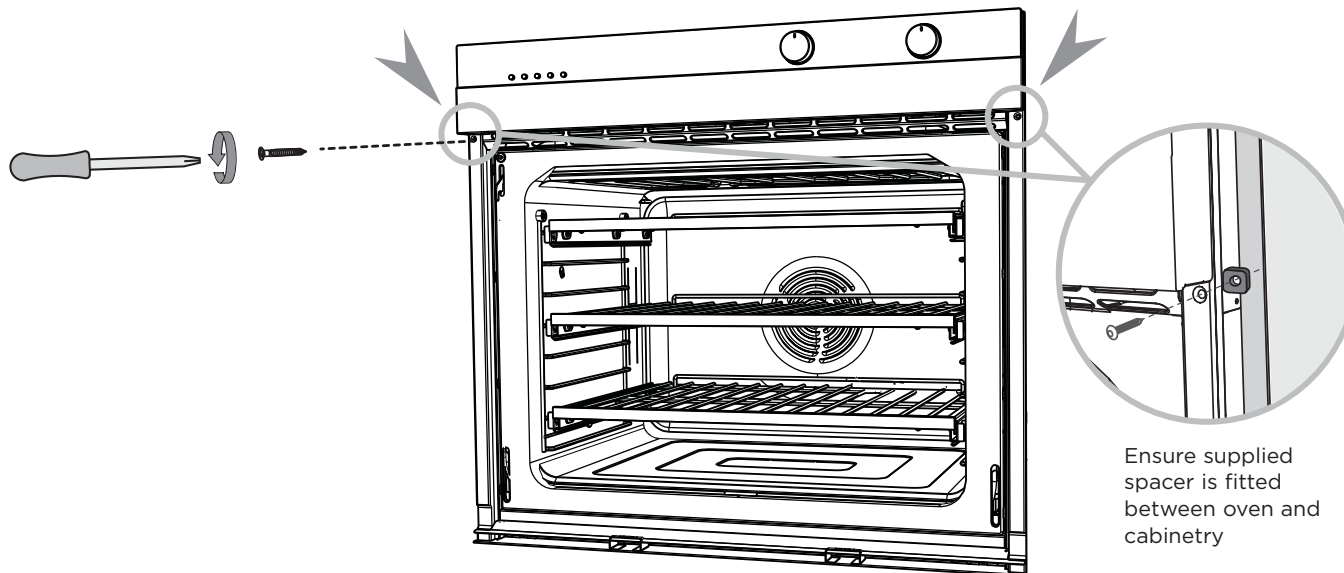
- ② Use the supplied screws and spacers to secure the oven to the cabinetry.

Double oven models only:

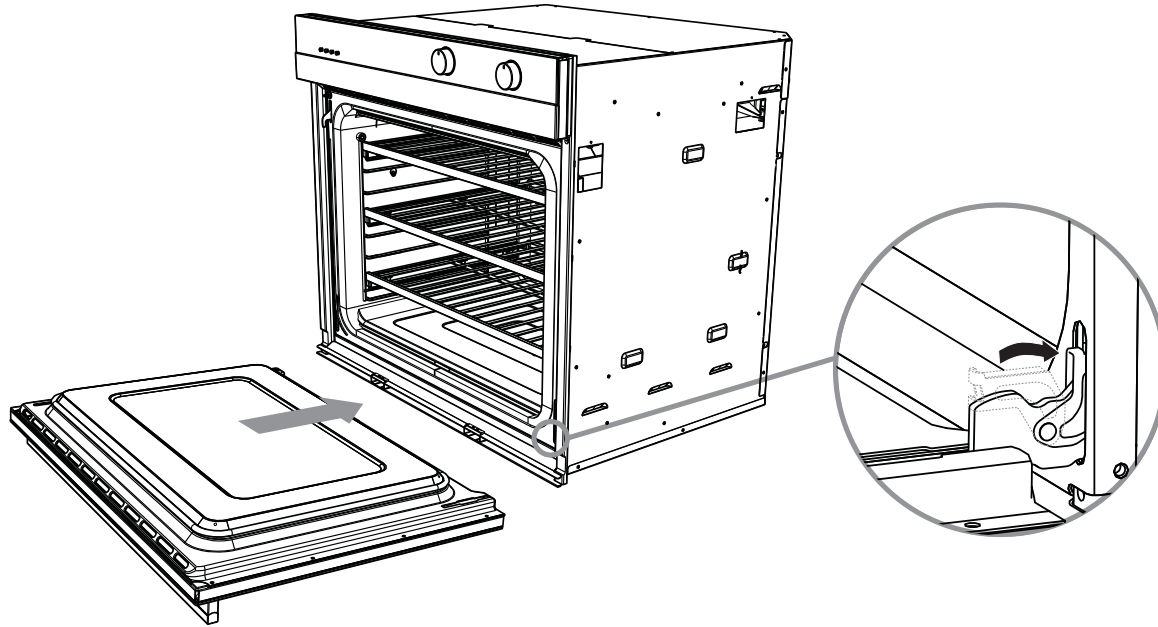
There are 4 screws and spacers provided (two per side).

IMPORTANT!

- Do not over-tighten the screws.
- Take care not to damage the lower trim of the oven.
- Do not seal the oven into the cabinetry with silicone or glue. This makes future servicing difficult. Fisher & Paykel will not cover the costs of removing the oven, or of damage caused by this removal.



10 REFIT THE DOOR(S)



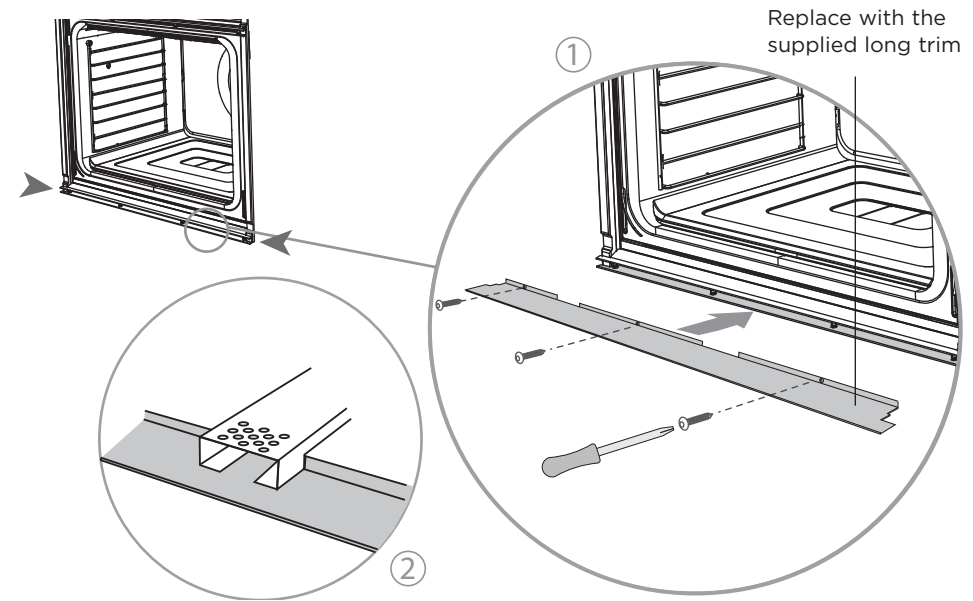
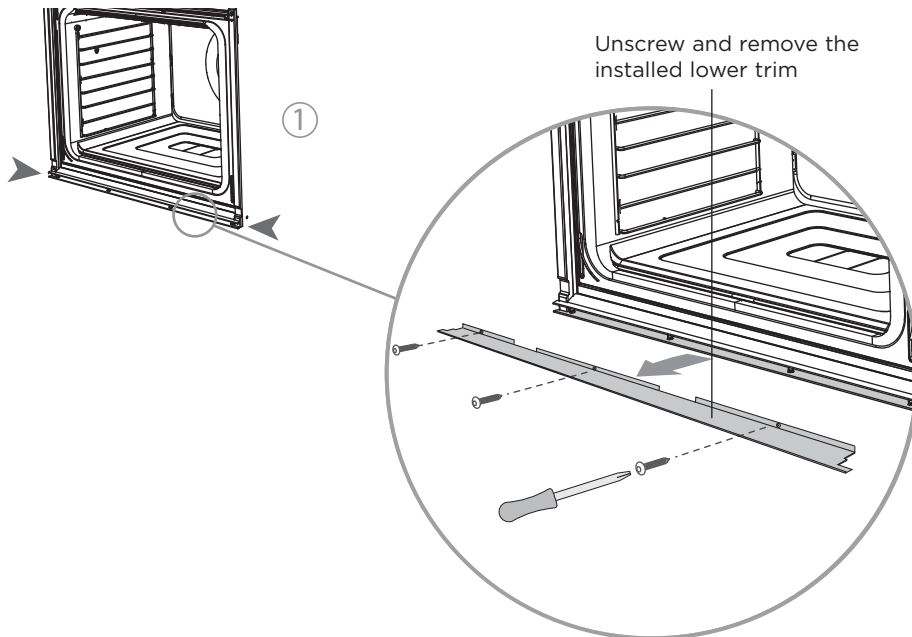
IMPORTANT!

Do not lift the oven by the door handle.

- ① Position the door in an approximately halfway open position.
- ② Align the hinge tongue with the hinge slots.
- ③ Push the door into the slots until you feel the latches locate into position on each side.
- ④ Rotate the locks into the closed position.
- ⑤ Close the oven door.

Double oven models only:
Refit both doors.

11 FLUSH INSTALLATION ONLY - REPLACE THE LOWER TRIM WITH THE SUPPLIED LONG TRIM



✓ **TO BE COMPLETED BY THE INSTALLER**

- Make sure the oven is level and securely fitted to the cabinetry.
- Check the lower trim is undamaged.
- Open the (lower) oven door slowly until it is fully open and check there is adequate clearance between the bottom of the door and the lower trim. This is to ensure correct air circulation. Should the lower trim become damaged, straighten the trim and ensure the oven door opens fully without obstruction.
- Make sure any cable ties and internal packaging has been removed from the oven cavity.
- Make sure all oven vents and openings are clear and free of any obstruction or damage.

IMPORTANT!

Failure to make sure all oven vents are clear may result in poor product performance.

- Make sure the isolating switch is accessible by the customer.

TEST OPERATION:

- Turn the power to the oven on. The display should light up and show 24:00. Set the clock following the instructions in the 'Quickstart Guide'.
- Turn the oven function to 'Bake'. Inside the oven cavity, the oven light should come on. Air should blow out of the vent at the bottom of the oven. Have you demonstrated the basic operation to the customer?
- Turn the temperature to 50°C. The temperature indicator should come on. After five minutes, open the oven door: the air inside should feel warm. Turn the oven function dial back to OFF.

Complete and keep for safe reference:

Model _____

Serial No. _____

Purchase Date _____

Purchaser _____

Dealer Address _____

Installer's Name _____

Installer's Signature _____

Installation Company _____

Installation Date _____

FISHERPAYKEL.COM

© Fisher & Paykel Appliances 2018. All rights reserved.
The product specifications in this booklet apply to the specific products and models described at the date of issue. Under our policy of continuous product improvement, these specifications may change at any time. You should therefore check with your Dealer to ensure this booklet correctly describes the product currently available.

NZ AU

590586G 07.18