

## FRONT LOADING CLOTHES WASHER

WH1260P, WH1260F &amp; WH1060P models

NZ AU

**IMPORTANT!**  
**SAVE THESE INSTRUCTIONS**

The models shown in this document may not be available in all markets and are subject to change at any time. For current details about model and specification availability in your country, visit our website [fisherpaykel.com](http://fisherpaykel.com) or contact your local Fisher & Paykel dealer.

**1 BEFORE YOU BEGIN****IMPORTANT!**  
**INSTALL PRODUCT CORRECTLY**

The washer must be properly installed and located in accordance with the installation instructions before it is used. Refer to the User guide for full details.

**2 REMOVE PACKAGING**

- ① Remove the packaging, polystyrene packer and lift the product off the base.
- ② Remove the hose(s) and accessories.

**3 REMOVE TRANSIT SAFETY BOLTS**

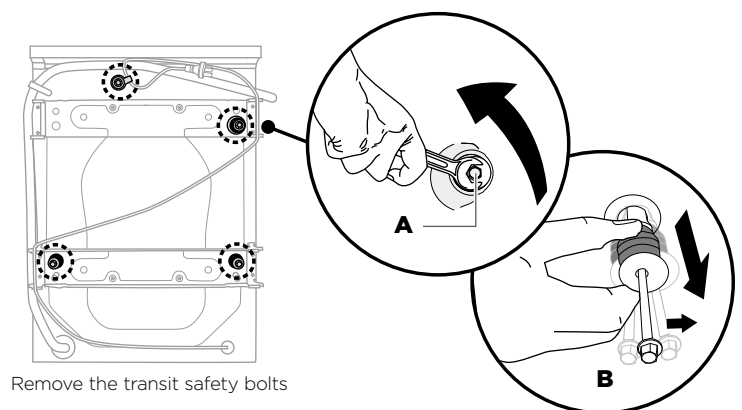
The clothes washer is fitted with transit safety bolts at the rear to avoid possible damage to the interior during transportation.

**IMPORTANT!**  
The transit bolts **MUST** be removed prior to operation of the machine.  
Failure to remove these will result in damage to the machine.

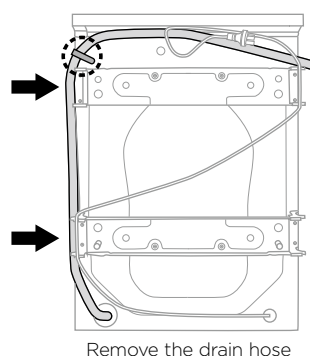
Note: the transit bolts **MUST** be removed in order to use the power cord.

**To remove the bolts**

- ① Use a spanner or socket to unscrew and remove all 4 transit bolts at the back of the washer (**A**).
- ② Pull the black rubber grommets to remove the bolt, grommet and white plastic spacers from the machine (**B**). Retain these for future use.

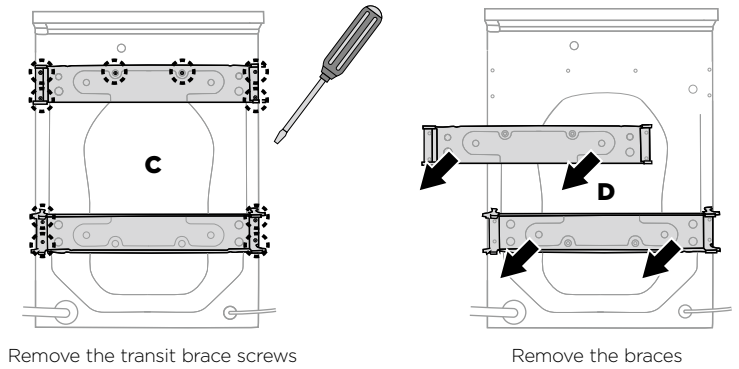


- ③ Move the drain hose from the plastic clasp and clasps on the side of the transit braces.

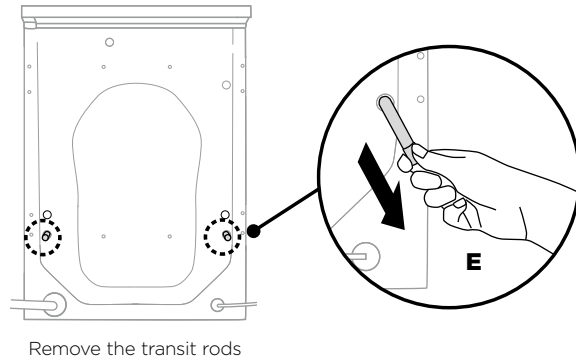


### 3 REMOVE TRANSIT SAFETY BOLTS CONTD...

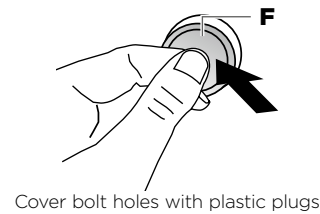
- ④ Remove the 10 transit brace screws from the left and right sides, and near the centre of the top brace (C).
- ⑤ Remove the braces (D). Keep the braces and screws for future use.



- ⑥ Remove (pull out) the two transit rods located below the two lower transit bolt holes and retain for future use (E).

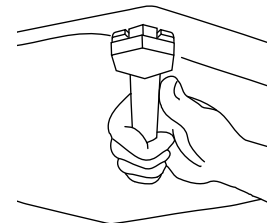


- ⑦ Remove the yellow safety clip from the power cord.
- ⑧ Cover the transit bolt holes with the plastic plugs (provided). Push to clip into place (F).



### 4 LEVEL YOUR MACHINE

- ① Before positioning the machine in its final position, check that the machine is level, front to back and side to side.
- ② Manoeuvre the product into its final position (we suggest a minimum clearance of 20mm each side).
- ③ Use a spirit level to check that the machine is level. If needed, pull the machine out then loosen the lock nut using the spanner provided. Wind the feet up or down to correctly level the machine.
- ④ Use the spanner provided to tighten the lock nuts against the base of the machine and lock the feet into position.



### 5 CONNECT TO THE WATER SUPPLY

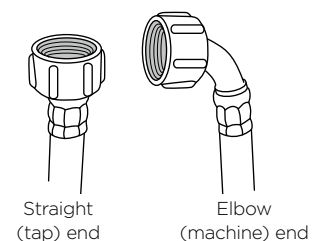
#### IMPORTANT!

- The hot water temperature should not exceed 65°C. Temperatures above this may make the machine fault or cause damage to the machine.
- The cold water should not exceed 35°C.

| SPECIFICATIONS              | WH1260F                                 | WH1060P/WH1260P                         |
|-----------------------------|---|---|
| Inlet water static pressure | Max. 1MPa (150psi), Min. 50kPa (7.2psi) | Max. 1MPa (150psi), Min. 30kPa (4.5psi) |
| Inlet water flow rate       | Min. 8 litres/minute                    | Min. 6 litres/minute                    |

### 6 CONNECT INLET HOSES

- ① Connect the straight ends of the inlet hoses to the taps and the elbow ends to the corresponding machine inlet valves. The hot valve is colour coded orange to make this easier. Tighten the inlet hose ends by hand until the hose seal makes contact with the tap sealing face and then tighten a further half-turn. Make sure there are no kinks in the hoses.
- ② Turn the taps on and check for leaks. Check for leaks again after 24 hours.



## 7 DRAIN HOSE

### Drain hose placement in a stand pipe or tub

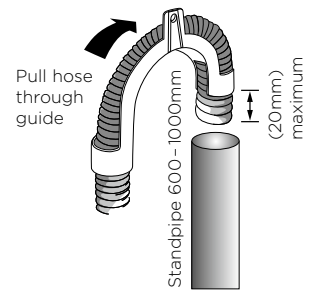
- ① To guide the drain hose over the tub or standpipe the hose guide must be fitted to the drain hose. The height of the standpipe or tub should be between 600-1000mm.
- ② Secure the hose guide so it cannot become dislodged from the standpipe or tub.

### IMPORTANT!

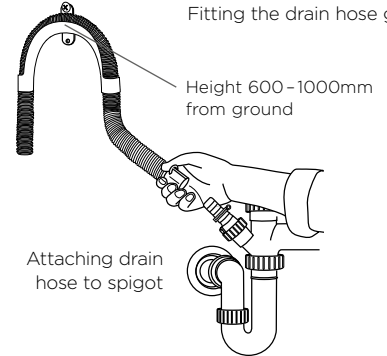
- If the drain hose is placed on the ground or if the standpipe or tub is less than 600mm high, the washing machine will continuously drain while being filled (siphon).
- Regularly check that your standpipe or tub is free from lint or other obstructions, which may affect how your machine works or may cause flooding.

### Attaching drain hose to spigot

- ① Guide the drain hose through the hose guide.
- ② Secure the hose guide to the back wall of cupboard using a screw. The height of the drain hose should be between 600-1000mm from ground level.
- ③ Attach the drain hose to the spigot and secure using a hose clamp to ensure the blanking insert is cleared from the spigot.
- ④ Check for leaks.



Fitting the drain hose guide



Attaching drain hose to spigot

## 8 TEST THE INSTALLATION

### Check the operation of the machine using the following procedure:

- ① Press 'POWER' and turn dial to 'Quick', then touch ►II. Check that the hoses are not leaking at the machine and tap end, while waiting until you see water appear in the drum.
- ② Touch ►II then press 'POWER' to stop the cycle and turn the machine off.
- ③ Press 'POWER' again, turn the dial to 'Spin' and touch ►II.
- ④ Check the outlet hose is firmly secured in a standpipe or tub, or to a spigot and the machine pumps out and spins.

## 9 FINAL CHECKLIST

### ✓ TO BE COMPLETED BY THE INSTALLER

- Have the transit bolts been removed?
- Is the drain hose threaded through the 'U bend' (with no more than 20mm extended) and hooked into your standpipe?
- Is the hot hose connected to the Hot valve?  
Is the cold hose connected to the Cold valve?
- Is the machine correctly levelled and feet locked?
- Have you performed the installation test cycle?

Complete and keep for safe reference:

Model \_\_\_\_\_  
 Serial No. \_\_\_\_\_  
 Purchase Date \_\_\_\_\_  
 Purchaser \_\_\_\_\_  
 Dealer Address \_\_\_\_\_  
 Installer's Name \_\_\_\_\_  
 Installer's Signature \_\_\_\_\_  
 Installation Company \_\_\_\_\_  
 Installation Date \_\_\_\_\_

## 10 FOR MORE INFORMATION

Before you call for service or assistance check our website, fisherpaykel.com, for 'Product Help' to see the latest updates and troubleshooting tips. We recommend that you also refer to your User guide to ensure:

- ① Your product is correctly installed, and that it is level
- ② You are familiar with its normal operation.

For detailed information on the features of your washer and warranty information



see your User guide

If you...

- have any questions or comments
- need a Fisher & Paykel trained and supported service technician to service your product
- need replacement parts or accessories
- want to register your product



visit us online at [fisherpaykel.com](http://fisherpaykel.com)

or call Customer Care

NZ toll-free, 24/7 0800 372 273  
 AU toll-free, 24/7 1300 650 590