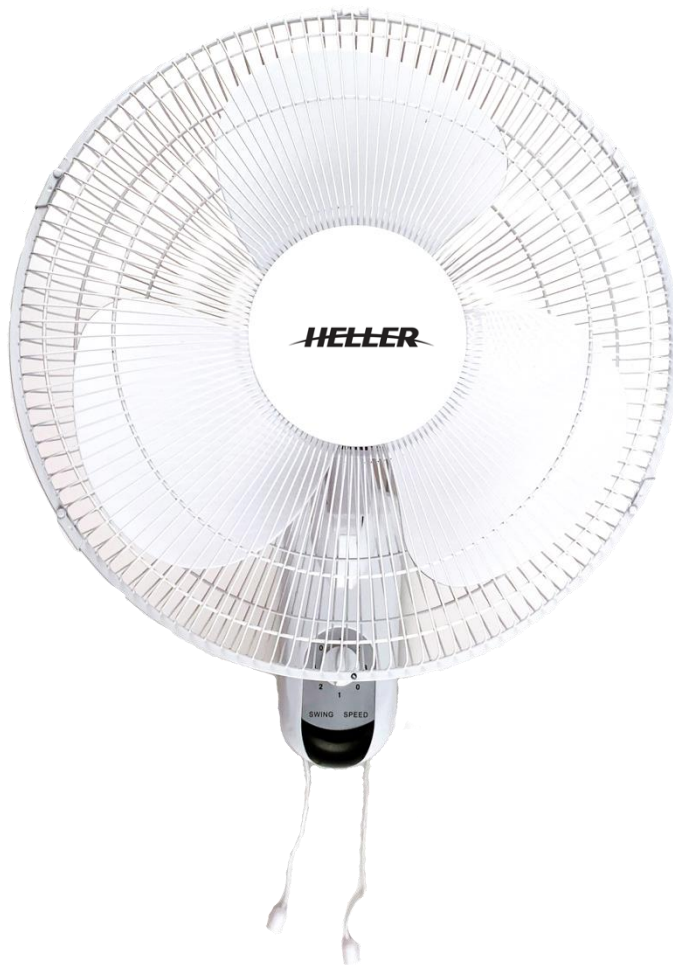


HELLER

Instruction Manual

40cm Wall Fan with Pull Cord

Model: HWF40P



READ AND SAVE THESE INSTRUCTIONS

Please read and follow the instructions in this user manual even if you feel you are familiar with the product, and find a place to keep it handy for future reference.

For your convenience record the complete model number (located on the product identification plate) and the date you received the product, together with your purchase receipt and attach to the warranty and service information. Retain in the event that warranty service is required.

NOTE: The rating of this product (as marked on the product identification plate) is based on specific loading tests. Normal use or the use of other recommended attachments may draw significantly less power.

Important Safeguards

When using any electrically powered product, basic safety precautions should always be followed, including the following:

PLEASE READ ALL INSTRUCTIONS CAREFULLY BEFORE USING THIS PRODUCT

WARNING!: - to reduce the risk of fire, electrical shock or injury to persons or property:

- Always operate the product from a power source of the same voltage, frequency and rating as indicated on the product identification plate.
- To reduce the risk of electric shock, do not use this fan with any solid state speed control device.
- Remove the unit from its packaging and check to make sure it is in good condition before using.
- Do not let children play with parts of the packing (such as plastic bags).
- Close supervision is necessary when the product is used by or near children or infirm persons. Do not allow children to use it as a toy.
- Do not operate any product with a damaged cord or plug, or after the product malfunctions, or is dropped or appears damaged in any way. Return the complete product to the place of purchase for inspection, repair or replacement.
- Before unplugging the power cord, be sure to turn the power off. When touching the unit, be sure your hands are dry to prevent electrical shock.
- Fully remove the power cord from the power cord tidy before use. Always uncoil the power cord before applying power.
- Ensure the fan is mounted on a stable, even wall, which is strong enough to hold it.
- The wall fan must be installed so the blades are at least 2.1m from the floor.
- Never install the unit where it is exposed to direct sunlight, excessive moisture/rain, dust and lack of ventilation near any heat sources.
- Avoid making contact with moving parts. Never insert fingers, pencils or any other objects through the guards whenever the power plug is connected, especially while the unit is working.
- To reduce the risk of electric shock, do not immerse or expose the product or flexible cord to rain, moisture or any liquid other than those necessary for correct operation of the product.
- This product should not be used in the immediate vicinity of water, such as bathtub, washbowls, bathroom swimming pool etc. Where the likelihood of immersion or splashing could occur.
- Switch off and unplug from outlet when not in use, before assembling or disassembling parts and before cleaning. Remove by grasping the plug - do not pull on the cord.
- Be sure that no other high current appliances are plugged into the same circuit with your fan as an overload can occur.
- Do not use this unit with a programmer timer or any other device that switches the unit 'On' automatically, since a fire risk exist the unit is covered or positioned incorrectly.
- Avoid the use of an extension cord as the extension cord may overheat and cause a risk of fire.

- Do not plug this unit into an extension lead, double adaptor or power board.
- Do not use the appliance for other than its intended use.
- Do not use outdoors. **FOR INDOOR USE ONLY.**
- This unit is not intended for use in bathrooms, laundry areas or similar moist indoor locations. Never locate the unit where it may fall into a bathtub, sink or any other water container.
- Do not run the power cord under carpeting or cover the power cord with throw rugs, runners or the like. Arrange the power cord away from traffic areas and where it will not be a hazard to persons.
- Do not place the power cord over any part of the unit.
- Do not leave the appliance unattended when switched on.
- Do not cover the grill, or operate in close proximity to curtains etc.
- Do not block air circulation.
- Do not move the machine when it is switched 'On' and in use.
- Place the machine on a level surface.
- To disconnect the unit, set the main switch to 'OFF' then remove the plug from the outlet.
- This unit has hot electrical parts inside. DO NOT use it in areas where gasoline, paint or flammable liquids are used or stored.
- Unplug the appliance during filling and cleaning.
- This product must always be used and stored in the upright position.
- The use of attachments or accessories not recommended or sold by the product distributor may cause personal or property hazards or injuries.
- This product is intended for normal domestic/household use only.
- Use this fan as described in this manual. Any other uses, not recommended by the manufacturer, may cause fire, electric shock, or injury to persons and may void the warranty.
- This appliance is not intended for use by persons (including children) with reduced physical, sensory or mental capabilities, or lack of experience and knowledge, unless they have been given supervision or instruction concerning the use of the appliance by a person responsible for their safety.
- The installation of a residual current device (safety switch) is recommended to provide additional safety protection when using electrical appliances. It is advisable that a safety switch with a rated residual operating current not exceeding 30mA be installed in the electrical circuit supplying the appliance. See your electrician for professional advice.
- Children should be supervised to ensure that they do not play with the appliance.
- Do not leave the fan running unattended.

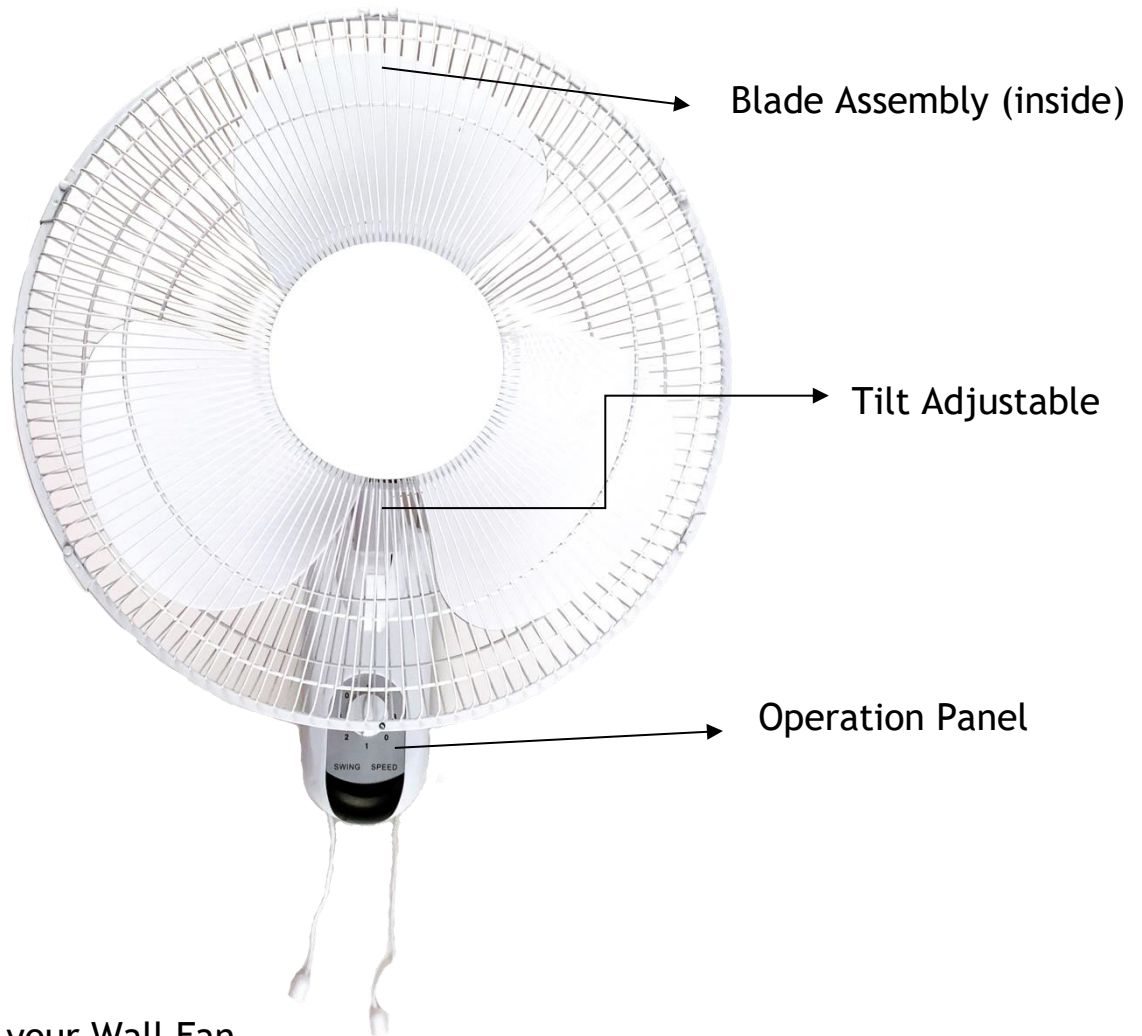
WARNING

If the supply power cord is damaged, the power cord must be replaced by the manufacturer, its service agent or similarly qualified persons in order to avoid a hazard.

This product has not been designed for any uses other than those specified in this booklet.

SAVE THESE INSTRUCTIONS

FEATURES



Getting to Know your Wall Fan

Congratulations on the purchase of your new Wall Fan.

Before first use of your new Wall Fan, it is most important that you read and follow the instructions in this use and care booklet, even if you are familiar with this type of appliance.

Your attention is drawn particularly to the section dealing with IMPORTANT SAFEGUARDS. Find a safe and convenient place to keep this booklet handy for future reference.

This appliance has been designed to operate from a standard domestic power outlet. It is not intended for industrial or commercial use.

Your Wall Fan is safe and easy to use. It has been designed to function quietly and safely under normal circumstances. Your Wall Fan is fully portable with a sturdy body and contemporary design. Its energy efficient blades circulate cool air while using less power than a standard light globe. The heavy-duty motor is rated for continuous use to combat long hot summers.

Use the manual oscillation knob to choose a fixed direction for personal comfort or oscillating to cover large areas.

Before First Use

Before use, remove all packaging and inspect the appliance for any damage. If there appears to be any damage, please take the unit back to place of purchase for a replacement.

Assembly Instructions

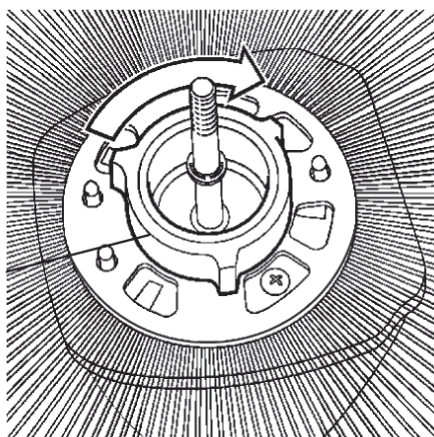
Your Wall Fan has been boxed unassembled to minimize packaging waste. Each part is designed to fit together and be disassembled easily for cleaning or storage.

First assemble the safety grille and blade assembly, by removing the locking nut (by turning it anticlockwise) from the motor housing.

Place the back safety grille into position. Ensure the safety grille fits onto the locating lugs. (Fig. 1) The hole for fixing screw and nut should be at the bottom. Fix the safety grille into position by replacing the locking nut tightly by hand. DO NOT FORCE THE LOCKING NUT.

Fig. 1 – Locating lugs and locking nut

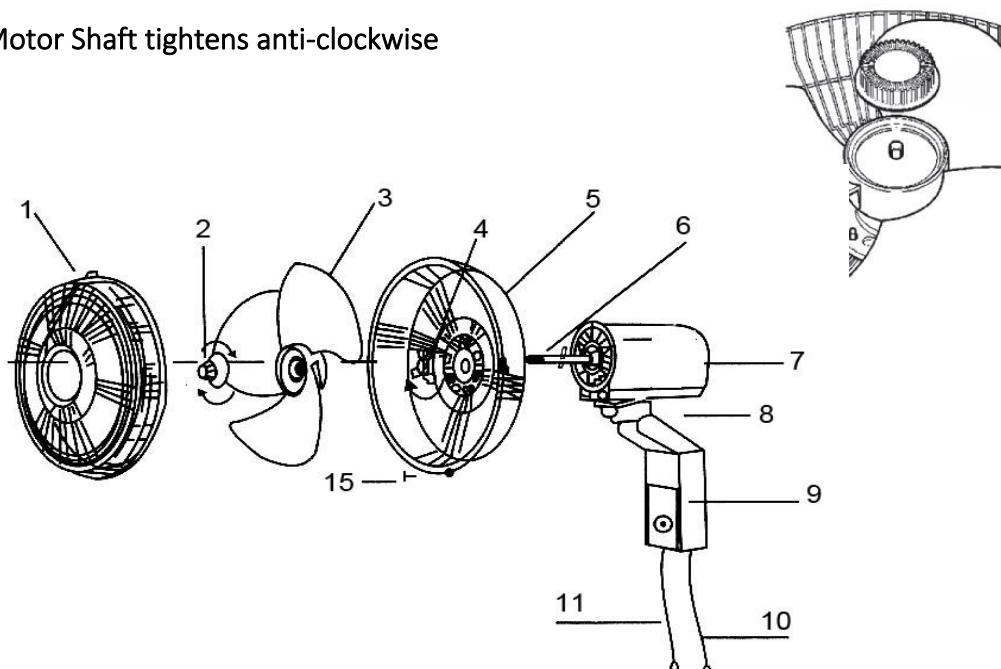
Locking Nut



The groove in the centre of the fan blade aligns with a T-bar on the motor shaft to ensure correct positioning.

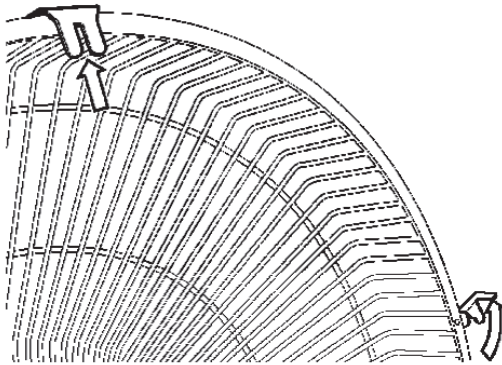
Fix the blade into place by gently hand tightening the spinner (Fig. 2) anticlockwise onto the end of the motor shaft. The motor shaft is self-tightening; do not force it.

Fig. 2 – Motor Shaft tightens anti-clockwise



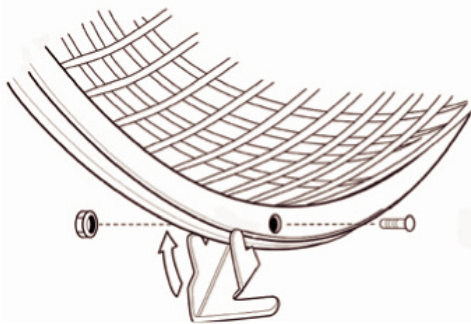
Lift out all locking clips on the front safety grille (Fig. 3)

(Fig. 3)



Place the safety grille into position and secure it by fastening the clips over the outer rim. The screw and nut at the bottom of the grille must be fitted (Fig. 4).

(Fig. 4)



Mounting on the Wall

Select an appropriate location and drill two holes to fix two screws onto a strong wall (or locate a stud behind plaster boards) with two wall plugs and screws supplied. Mount the wall fan on its bracket. If the power cord is hanging loosely between the fan and power outlet, make sure it will not touch or obstruct the blade rotation or fan oscillation in any way. Also make sure there is enough space to let the fan head to oscillation.

Operating Instructions

Before inserting the plug into a power outlet, make sure that the correct voltage being used corresponds to what is indicated on the rating label, and that the socket has an earth facility.

Remove the cable tie and unravel the cord set before operation. Connect the plug into an electrical socket and switch on at the wall.

You can control your wall fan either with the oscillation knob, or with pull cords.

Pull the cord to switch the fan 'ON'. At first start-up, the fan will operate at low speed.

Pull on the same cord a couple of times to reach desired fan speed. Choose between Low(1), Medium(2) and High(3) fan speed.

Pull on the other cord to switch on the oscillation mode.

CAUTION: The fan should always be switched off when making this adjustment.

Care & Cleaning

- Your appliance must be switched OFF via the main power supply and unplugged before proceeding with any cleaning.
- Clean the housing with a damp cloth, a vacuum cleaner or a dusting brush.
- To clean the blade and grille assembly, first remove the safety grille, unscrew the locknut and remove the blade from the Wall Fan. Wipe them clean with a slightly damp sponge.
- Never use flammable or abrasive cleaning agents such as benzene or spirits to clean the appliance.
- Never immerse the appliance in water.
- Never spray the Wall Fan with liquids or submerge it in water or any other liquid.

NOTE: If the power cord set of this appliance becomes damaged, discontinue use. Repairs should be undertaken only by a qualified technician.

Specifications

Model	Description	Voltage	Frequency	Wattage
HWF40P	40cm Wall Fan with Pull Cord	220-240V~	50Hz	50W

Australian Customer Service

GAF Control (Sales) Pty Ltd

P.O Box 19

Altona North Victoria 3025

Phone: 1300 659 489

Hours: 9am-5pm (EST) Mon-Fri

www.gafcontrol.com.au

*This product may vary slightly to the product illustrated due to ongoing product development.