

Hisense

life reimagined

USER'S OPERATION MANUAL

Before operating this unit, please read this manual thoroughly, and retain for future reference

Model: HRWC31

English

CONTENTS

Important safety instructions.....	1	Cleaning and care.....	6
Installing your new appliance.....	3	Reversing the Door.....	7
Description of the appliance.....	4	Troubleshooting.....	8
Display controls.....	4	Disposal of the appliance.....	9
Using your appliance.....	5		

IMPORTANT SAFETY INSTRUCTIONS

It is most important that this instruction book should be retained with the appliance for future reference. Should the appliance be sold or transferred to another owner, or should you move house and leave the appliance, always ensure that the book is supplied with the appliance in order that the new owner can be acquainted with the functioning of the appliance and the relevant warnings.

These warning are provided in the interest of safety. You must read them carefully before installing or using the appliance.

General Safety

The appliance is designed exclusively for domestic use. The appliance is intended to be used exclusively for the storage of the wine as explained in this instruction booklet.

WARNING

Risk of injury due to broken glass! In case of transport at an altitude of over 1100m the glass panes of the door may break. The fragments have sharp edges and may cause serious injury. Take appropriate protective action.

- This appliance is not intended for use by persons (including children) with reduced physical, sensory or mental capabilities, or lack of experience and knowledge, unless they have been given supervision or instruction concerning use of the appliance by a person responsible for their safety. Children should be supervised to ensure that they do not play with the appliance.
- It is dangerous to alter the specifications or modify this product in any way.
- Before any cleaning or maintenance work is carried out, be sure to switch off and unplug the appliance.
- This appliance is heavy. Care should be

taken when moving it.

- Take utmost care when handling your appliance so as not to cause any damages to the cooling unit with consequent possible fluid leakages.
- The appliance must not be located close to radiators or gas cookers.
- Avoid prolonged exposure of the appliance to direct sunlight.
- There must be adequate ventilation round the appliance and any damage to the refrigerant circuit must be avoided.
- Do not use other electrical appliances (such as ice cream makers) inside of refrigerant appliance.
- Do not store explosive substances such as aerosol cans with a flammable propellant in this appliance.
- This appliance is intended to be used in household and similar applications such as -staff kitchen areas in shops, offices and other working environments;
-farm houses and by clients in hotels, motels and other residential type environments;
-bed and breakfast type environments;
-catering and similar non-retail applications.
- Keep burning candles, lamps and other items with naked flames away from the appliance so that do not set the appliance on fire.

Service/Repair

- Any electrical work required to install this appliance should be carried out by a qualified electrician or competent person.
- This product should be serviced by an authorized Service Center, and only genuine spare parts should be used.
- Under no circumstances should you attempt to repair the appliance yourself. Repairs carried out by inexperienced persons may cause injury or more serious malfunctioning. Refer to your local Service Centre, and always insist on

genuine spare parts.

- This appliance contains hydrocarbons in its cooling unit; maintenance and recharging must therefore only be carried out by authorized technicians.

Service Note

This appliance employs Hydrocarbon Refrigerant type R600a.

It is hazardous for anyone other than an Authorized Service Person to service this appliance.

In Queensland the Authorized Service Person Must hold a Gas Work Authorized for hydrocarbon refrigerants to carry out servicing or repairs which involve removal of covers.

Use

- The wine cabinet is designed to be used specifically for the storage of potable wine only.
- This appliance performs well within the climate class showed in the table below. It may not work properly if being left at a temperature above or below the indicated range for a long period.

Class	Symbol	Ambient Temperature range
Subtropical	T	+16°C to +43°C

- **Warning:** when the ambient temperature is not included within the range indicated for the class of this appliance, the following instructions must be observed: when the ambient temperature rises up to the maximum level, the storage temperature in the cabinet can not be guaranteed, it is advisable to use the wine stored as soon as possible.
- Do not put hot pot on the plastic parts of the appliance.
- Do not store flammable gas and liquid in the appliance, because they may explode.
- Do not place wine directly against the rear wall of compartment.
- The appliance's manufactures storage recommendations should be strictly adhered to. Refer to relevant instructions.
- The inner lining of the appliance has channels through which the refrigerant passes. Should the channels be punctured the unit would be damaged beyond repair. DO NOT USE SHARP INSTRUMENTS to scrape of frost or ice. Frost may be removed by using a scraper.

Under no circumstances should be solid ice be forced off the liner. Solid ice should be

allowed to thaw when defrosting the appliance.

Installation

Important: For electrical connection carefully follow the instructions given in specific paragraphs.

- Unpack the appliance and check if there are damages on it. Do not connect the appliance if it is damaged. Report possible damages immediately to the place you bought it. In that case retain packing.
- During normal operation, the compressor and/or condenser at the back of the appliance heat up considerably. For safety reasons, minimum ventilation must be maintained as shown in the instructions.

Attention: keep ventilation openings clear of obstruction.

- Care must be taken to ensure that the appliance does not stand on the electrical supply cable.
- **Important:** if the supply cord is damaged, it must be replaced by a special cord or assembly available from the manufacture or its service agent.
- If the appliance is transported horizontally, it is possible that the oil contained in the compressor flows in the refrigerant circuit. It is advisable to wait at least two hours before connecting the appliance to allow the oil to flow back in the compressor.
- There are working parts in this product which heat up. Always ensure that there is adequate ventilation as a failure to do this will result in component failure and possible loss. See installation instructions.
- Parts which heat up should not be exposed. Wherever possible the back of the product should be against a wall.

Electrical connection

- Before plugging in , ensure that the voltage and frequency shown on the serial number plate correspond to your domestic power supply .Voltage can vary by $\pm 6\%$ of the rated voltage.
- The appliance must be earthed .The power supply cable plug is provide with a contact for this purpose .The power socket must have an earth connection in line with electrical safety regulations.

- The manufacturer declines all responsibility if the above safety precautions are not observed.

Environment Protection

This appliance does not contain gasses which could damage the ozone layer, in either its refrigerant circuit or insulation materials. The appliance shall not be discarded together with the urban refuse and rubbish. The insulation foam contains flammable gasses: the appliance shall be disposed according to the applicable regulations to obtain from your local authorities . Avoid damaging the cooling unit, especially at the rear near the heat exchanger.

INSTALLING YOUR NEW APPLIANCE

Before using the appliance for the first time , you should be informed of the following tips.

Warning!

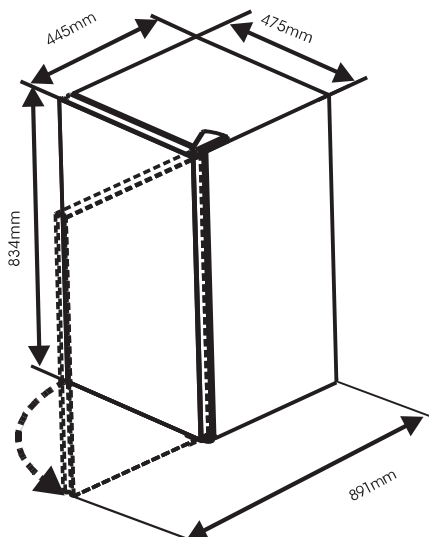
For proper installation , the appliance must be placed on a level surface of hard material that is the same height as the rest of the flooring .This surface should be strong enough to support a fully loaded appliance.

Ventilation of appliance



In order to improve the efficiency of the cooling system and save energy , it is necessary to maintain good ventilation around the appliance for the dissipation of heat. For this reason , sufficient clear space should be available around the product.

Suggest: It is advisable for there to be at least 50mm of space from the back to the wall, at least 100mm from its top, at least 50 mm from its side to the wall. As shown in follow diagrams.



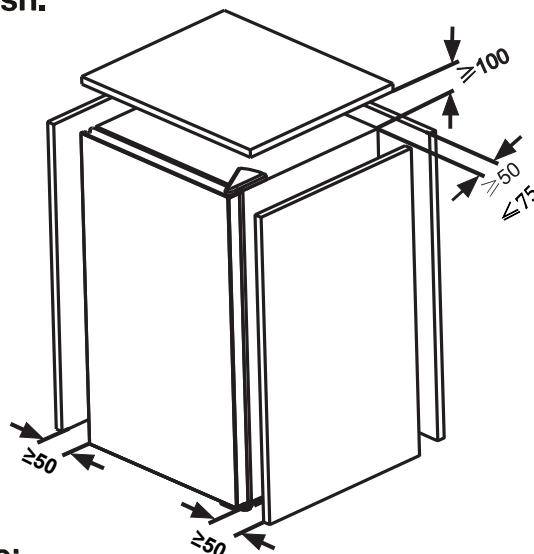
The materials used on this appliance marked by the symbol  are recyclable.

Use

Cleaning the interior

Before using the appliance for the first time, wash the interior and all internal accessories with lukewarm water and some neutral soap so as to remove the typical smell of a brand-new product, and then dry naturally and thoroughly.

 **Do not use detergents or abrasive powders, as these will damage the finish.**



Note:

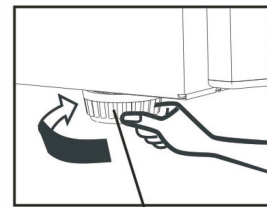
- Avoid locating the appliance in damp areas .Too much moisture in the air will cause frost to form quickly on the evaporator.
- Keep the appliance out of direct sunlight , rain or frost . Stand the product away from heat sources such as stoves, fires or heaters.

Warning!

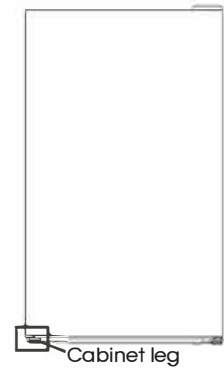
- The glass door of the appliance is fragile, front collision should be banned when you open it.
- Plug the appliance into an exclusive properly installed , grounded wall outlet. Do not under any circumstances cut or remove the third (ground) prong from the power cord .Any questions concerning power and/or grounding should be directed towards a certified electrician or an authorized products service center.
- This refrigerating appliance is not intended to be used as a built-in appliance
- this refrigerating appliance is not suitable for freezing foodstuffs

Leveling of appliance

- For sufficient leveling and air circulation in the lower rear section of the appliance, the leveling leg may need to be adjusted. You can adjust them manually by hand or by using a suitable spanner.

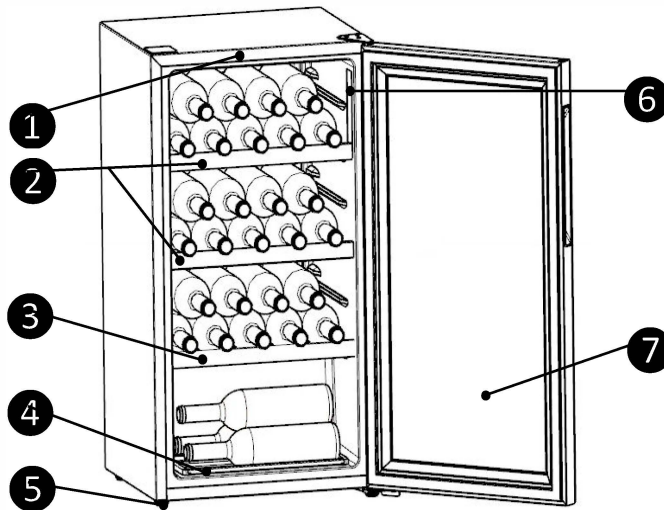


Cabinet leg



Cabinet leg

DESCRIPTION OF THE APPLIANCE



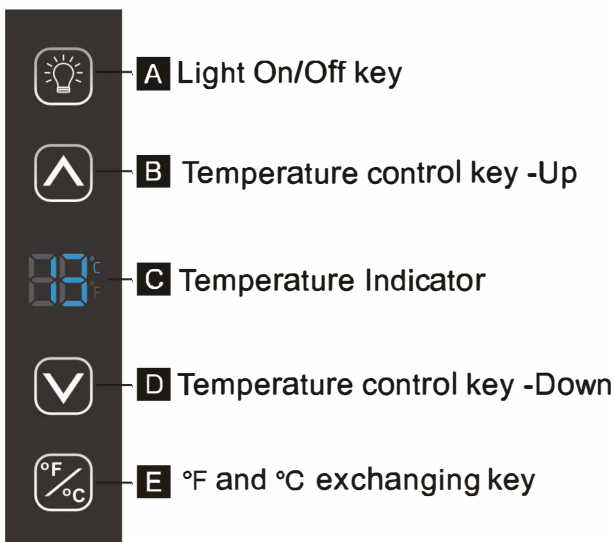
- ① LED light
- ② Upper bottle shelves
- ③ Lower bottle shelf
- ④ Bottom bottle shelf
- ⑤ Cabinet leg
- ⑥ Control panel
- ⑦ Door

Note:

- The appliance can keep 30 bottles of wine at the same time, please place the wine bottles as shown above.
- Bottle capacities, mentioned in this manual, are based on standard BORDEAUX 750ml bottles and standard shelving.

DISPLAY CONTROLS

The control panel, showed blow, is on the right side of the fridge room.



You can use your appliance according to the following control guidelines.

“Light On/Off key”

You can turn the interior light on or off by pressing this button. To turn the light on, you should press this button twice when the door is open. If you turn the light on, it will be off after 15 minutes in case of exposing the wine to the light for too long.

Temperature regulation

You can set the temperature you desire by pressing the buttons “▲” or “▼”. When you press the button for the first time, the LED readout will show the previously setting temperature. The temperature will increase 1°C or 1°F each time you press the UP button and will decrease 1°C or 1°F each time you press the Down button.

Temperature exchange

You can change the temperature display setting from Fahrenheit to Celsius degrees by pressing the marked °F/°C.

NOTE:

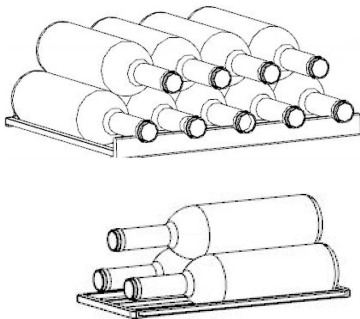
- The temperature range is from 5°C (41°F) to 20°C (68°F).

USING YOUR APPLIANCE

This section tells you how to use most of the useful features. We recommend that you read through them carefully before using the appliance.

Placement of bottles

The appliance is equipped with 4 bottle shelves including 2 upper shelves, 1 lower shelf and 1 bottom shelf. The bottles should be placed on the shelves as shown below.



Warning!

- To prevent the bottles from rolling down and being broken, there should not be more than 3 bottles placed on the bottom shelf as showed above.
- The maximum loading of each type of shelf is 15kg.

Tips for keeping the wine

- Keep the wine in the dark. The door is in anti-UV darkened double glass to protect the wine from the light in case the refrigerator is located in well-lit place.
- Lay the bottles down in such a way that the corks do not dry.
- Avoid switching the appliance light on too often or for too long. Wine keeps better in dark.
- To avoid agitating the wine, handle the bottles with care.
- Follow the recommendations and advice at the time of purchase or given in the technical documentation regarding the quality, duration and optimum storage temperature of the wine.
- The storage for wine depends on ageing, content and level of fructose and tannin contained in it. At the time of purchase,

- The temperature preset at the factory is 12°C/54°F.
- When you set a temperature, you set an average temperature for the whole cabinet. There may be a 3°C to 4°C variance between the top and bottom shelves of the appliance.

check if the wine is already aged or if it will improve over time.

- This appliance is intended to be used exclusively for the storage of wine.

Wine serving temperature chart

All wines mature at the same temperature, which is a constant temperature set between 12°C to 14°C. The below chart is an indicative temperature chart to indicate the best temperature for drinking purposes.

Types of wine	Recommended temperature
Champagne NV, Sparkling, Spumante	6°C
Dry White Semillon, Sauvignon Blanc	8°C
Champagne Vintage Dry White Chardonnay Dry White Gewurztraminer Riesling, Pinot grigio Sweet White Sauternes, Barsac Ice Wine, Late Harvest	10°C
Beaujolais	13°C
Sweet White Vintage: Sauternes... White Vintage Chardonnay	14°C
Red Pinot Noir Red Grenache, Syrah	16°C
Red vintage Pinot Noir	18°C
Cabernet & Merlot: French, Australian, New Zealand, Chilean, Italian, Spanish, Californian, Argentinean...	20°C

Warning!

When disposing of your appliance, use an authorised disposal site. Remove the plug and ensure that any locks or catches are removed, to prevent young children being trapped inside.

At the time of purchase, check if the wine is already aged or if it will improve over time.

CLEANING AND CARE

For hygienic reasons the appliance (including exterior and interior accessories) should be cleaned regularly.

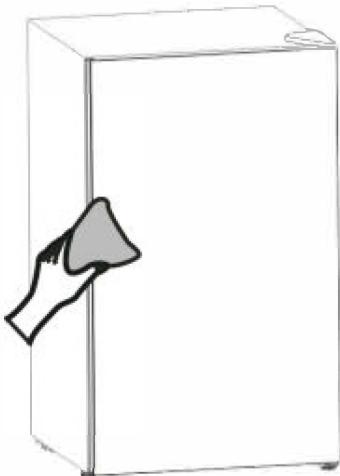
Warning!

The appliance must not be connected to the mains during cleaning. Danger of electrical shock! Before cleaning switch the appliance off and remove the plug from the mains socket.

Exterior cleaning

To maintain good appearance of your appliance, you should clean it regularly.

- Spray water onto the cleaning cloth instead of spraying directly on the surface of the appliance. This helps ensure an even distribution of moisture to the surface.
- Clean the door with a mild detergent and then wiped dry with a soft cloth.



Caution!

- Don't use sharp objects as they are likely to scratch the surface.
- Don't use Thinner, Car detergent, Clorox, ethereal oil, abrasive cleansers or organic solvent such as Benzene for cleaning. They may damage the surface of the appliance and may cause fire.

Cleaning the beverage centre

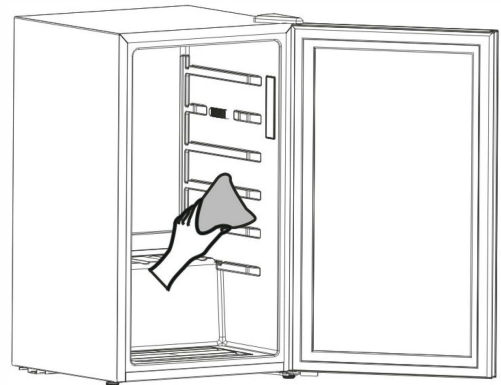
To clean the beverage centre, you should follow these steps:

- Unplug the appliance and remove the bottles.

-Wash the inside with a warm water and baking soda solution. The solution should be about 2 tablespoons of baking soda to a litre of water.

-Wash the shelves with a mild detergent solution.

-It may also be necessary to periodically wipe the bottom part of the storage area, as the beverage cooler is designed to retain humidity, and condensation may collect there.



Defrosting

Defrosting in the refrigerator compartment occurs automatically. The defrost water is run into a bowl located at the back of the appliance, above the compressor, where it evaporates. Make sure to clean the defrost water drain hole periodically by using the special "cleaner".



Reversing the Door

The side at which the door opens can be changed from the right side (as supplied) to the left, if the installation site requires.

Tools you will need:

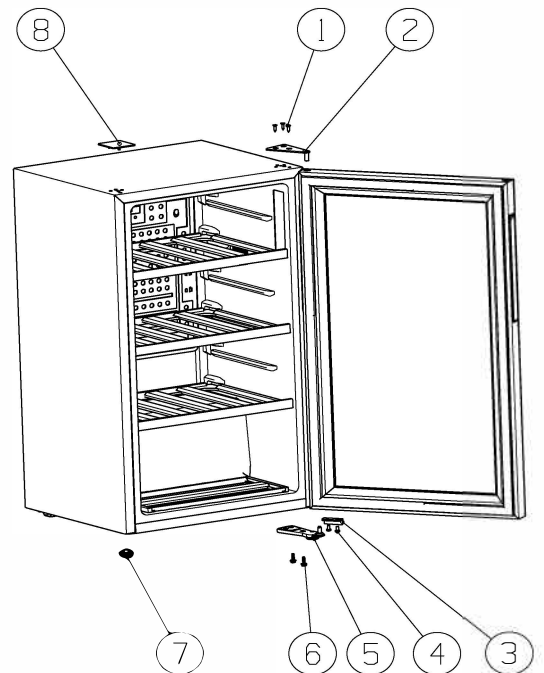
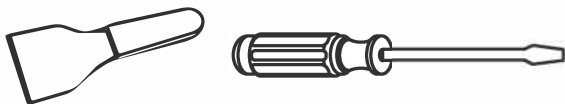
1. Wrench (5/16" , 8mm)



2. Philips Screwdriver



3. Putty knife or thin-blade screwdriver



Before you start lay the refrigerator on it's back in order to gain access to the base, you should rest it on soft foam packaging or similar material to avoid damaging the cooling pipes at the rear of the refrigerator.

① special flange self-tapping screw

② upper hinge part

③ limit block

④ screw

⑤ lower hinge parts

⑥ special flange self-tapping screw

⑦ Adjustable foot

⑧ upper hinge cover

- Open the refrigerator door and remove all fittings inside the door.
- Remove the screws①that connect the upper hinge part②on the right side of the cabinet top.
- Remove the upper hinge cover⑧and transfer it to the right side of the cabinet.
- Carefully lift the door and place it on padded surface to prevent scratching.
- Remove the screws⑥that connect the lower hinge parts⑤on the right side of the cabinet.
- Remove the adjustable foot⑦and transfer it to the right side of the cabinet.
- Fix the lower hinge parts⑤and screws⑥on the left side of the box, as original.
- Remove the screws④that connect the limit block③on the right side of the door and transfer them to the left side of the door, as original.
- Set the door into its new place making sure the pin enters the bushing at the lower frame section (hole).
- Secure the upper hinge part②previously removed in step 2 on the left side of the unit. Make sure the pin enters the bushing on the upper frame section (hole).
- Close the door, when the door body is in a horizontal position, the screws are completely fixed.
- Open the door and attach all fittings.

Troubleshooting

If you experience a problem with your appliance or are concerned that the appliance is not functioning correctly, you can carry out some easy checks before calling for service, please see below.

Warning! Don't try to repair the appliance yourself. If the problem persists after you have made the checks mentioned below, contact a qualified electrician, authorized service engineer or the shop where you purchased the product.

Malfunction	Possible cause	Remedy
The wine is too warm.	Temperature is not properly adjusted.	Please refer to the "Display controls" section.
	Door was open for an extended period.	Open the door only as long as necessary.
	The appliance is near a heat source.	Please refer to the "Installing your new appliance" section.
Heavy build up of frost, possibly also on the door seal.	Door seal is not air tight (possibly after changing over the hinges)	Carefully warm the leaking sections of the door seal with a hair dryer (not hotter than approx. 50 °C). At the same time shape the warmed door seal by hand such that it sits correctly.
Unusual noises	The appliance is not level.	Readjust the feet.
	The appliance is touching the wall or other objects.	Move the appliance slightly.
	A component, e.g. a pipe, on rear of the appliance is touching another part of the appliance or the wall.	If necessary, bend the component out of the way carefully.
The compressor does not start immediately after changing the temperature setting.	This is normal, no error has occurred.	The compressor starts after a period of time.
Water on the floor.	Water drain hole is blocked.	Please refer to the "Cleaning and care" section.

Disposal of the appliance

It is prohibited to dispose of this appliance as household waste.


Packaging materials

Packaging materials with the recycle symbol are recyclable. Dispose of the packaging into a suitable waste collection container to recycle it.

Before disposal of the appliance

1. Pull out the mains plug from the mains socket.
2. Cut off the power cord and discard with the mains plug

Warning! Refrigerators contain refrigerant and gases in the insulation. Refrigerant and gases must be disposed of professionally as they may cause eye injuries or ignition. Ensure that tubing of the refrigerant circuit is not damaged prior to proper disposal.

Correct Disposal of this product	
	<p>This symbol on the product or in its packing indicates that this product may not be treated as household waste. Instead, it should be taken to the appropriate waste collection point for the recycling of electrical and electronic equipment. By ensuring this product is disposed of correctly, you will help prevent potential negative consequences for the environment and human health, which could otherwise be caused by the inappropriate waste handling of this product. For more detailed information about the recycling of this product, please contact your local council your household waste disposal service, or the shop where you purchased the product.</p>

Hisense

life reimagined