



OWNER'S MANUAL

VACUUM CLEANER



Before beginning installation, read these instructions carefully. This will simplify installation and ensure that the product is installed correctly and safely. Leave these instructions near the product after installation for future reference.

ENGLISH

A9T-ULTRA



MFL69883676
Rev.01_060921

www.lg.com

Copyright © 2021 LG Electronics Inc. All Rights Reserved.

TABLE OF CONTENTS

This manual may contain images or content that may be different from the model you purchased.
This manual is subject to revision by the manufacturer.

SAFETY INSTRUCTION

READ ALL INSTRUCTIONS BEFORE USE..... 3
WARNING..... 3
CAUTION 10

INSTALLATION

Product Overview..... 12
Storing the Accessories..... 15

OPERATION

Getting Started..... 18
Charging the Battery..... 20
Using the Mop Nozzle 21
Using the Nozzles and Tools..... 24

SMART FUNCTIONS

Using LG ThinQ Application..... 28
Smart Diagnosis Function..... 30

MAINTENANCE

Cleaning the Appliance 31
Cleaning the Nozzles 34

TROUBLESHOOTING

Before Calling for Service..... 38

SAFETY INSTRUCTION

READ ALL INSTRUCTIONS BEFORE USE

The following safety guidelines are intended to prevent unforeseen risks or damage from unsafe or incorrect operation of the appliance. The guidelines are separated into '**WARNING**' and '**CAUTION**' as described below.

Safety Messages



This symbol is displayed to indicate matters and operations that can cause risk. Read the part with this symbol carefully and follow the instructions in order to avoid risk.



WARNING

This indicates that the failure to follow the instructions can cause serious injury or death.



CAUTION

This indicates that the failure to follow the instructions can cause the minor injury or damage to the product.

WARNING

WARNING

- To reduce the risk of explosion, fire, death, electric shock, injury or scalding to persons when using this product, follow basic precautions, including the following:

Technical Safety

- This appliance is not intended for use by persons (including children) with reduced physical, sensory or mental capabilities, or lack of experience and knowledge, unless they have been given supervision or instruction concerning use of the appliance by a person

responsible for their safety. Children should be supervised to ensure that they do not play with the appliance.

- Do not allow the appliance to be used as a toy. Close attention is necessary when used by or near children.
- Do not allow children to play with or hang on the appliance.
- Do not use the appliance with damaged power cord or plug. The cord must be replaced. If the appliance is not working as it should, has been dropped, damaged, left outdoors, or dropped into water, return it to an LG Electronics service centre.
- Do not pull or carry by cord, use cord as a handle, close a door on cord, or pull cord around sharp edges or corners. Do not run appliance over cord. Keep cord away from heated surfaces.
- Do not unplug by pulling on cord. To unplug, grasp the plug, not the cord.
- Place the cords from other appliances out of the area to be cleaned.

Battery

- Never use the battery, adapter, and the charging station from other appliances with this appliance. Use only the battery and the charging station provided by LG Electronics.
- Never use the battery, adapter, and the charging station from this appliance with other appliances.
- Unplug the power cord and remove the battery if the appliance will not be used for an extended period of time.
- Do not use modified or damaged batteries.
- Do not disassemble, remove or short-circuit the battery.
- When disposing of the battery or the appliance, remove the battery from the appliance and safely dispose of it.
- Have specifically designated battery packs replaced when it is no longer able to hold a charge.
- Refer to the **Charging the Battery** section instructions for the method of replacing the battery.

- When disposing of this appliance, follow regulations for disposal of rechargeable lithium-ion batteries.
- Follow all local ordinances and regulations when handling or disposing of the battery.
- Prevent unintentional starting. Ensure the switch is in the off position before connecting to the battery pack, picking up or carrying the appliance.
- Disconnect the battery pack from the appliance before making any adjustments, changing accessories, cleaning, serviing, or storing appliance.
- When battery pack is not in use, keep it away from other metal objects, like paper clips, coins, keys, nails, screws or other small metal objects, that can make a connection from one terminal to another.
- Under abusive conditions, liquid may be ejected from the battery. If this happens, avoid contact. If contact accidentally occurs, flush with water. If liquid contacts eyes, additionally seek medical help.
- If the appliance is to be stored unused for a long period, the batteries should be removed.
- Before removing the battery, you must turn off this appliance.

Battery Specifications

- One or two batteries are provided, the number of batteries varies depending on the model purchased.
 - **Model Name:** EAC63382204
 - **Type:** Rechargeable Lithium-ion Battery
 - **Rated Capacity:** 25.2 V \approx , 2400 mAh

Installation

- To avoid an electrical shock or fire, do not install, charge or store the appliance where it may be exposed to water, rainfall or high humidity.
- Install, charge and store the appliance in a well-ventilated place.

- Avoid operating the appliance in areas where there is a risk of leakage of flammable gas, industrial oil or metallic dust.
- Do not store or install the appliance, power cord or plug near heating devices or open flames.
- Install the charging station on a firm, level surface.
- Do not use or store the appliance at temperatures below 5 °C or above 38 °C.
- Do not store or install the appliance where it is exposed to temperatures below freezing or exposed to outdoor weather conditions.
- When installing or moving the appliance, be careful not to pinch, crush, or damage the power cord or plug.

Operation

- Read all instructions before using the appliance, and save these instructions.
- Use only as described in this manual. Use only manufacturer's recommended attachment.
- This appliance is designed for normal indoor domestic use only. It is not to be used for any non-residential, commercial, or industrial application.
- This product should only be used with a 100 - 240 V~ 50/60 Hz, 0.8 amp outlet. Make sure to check the power specifications of the place where you intend to use the appliance.
- Do not handle the power cord, plug, or appliance controls with wet hands.
- Wipe any moisture or dirt off the cord or plug with a dry cloth.
- Never attempt to operate this appliance if it is damaged, malfunctioning, partially disassembled, or has missing or broken parts, including a damaged cord or plug. Take it to an authorized LG Electronics service centre or dealer for assistance.
- Do not apply excessive force to the power cord to bend it, or place it under a heavy object as this will damage it.

- Do not use multiple-outlet adapters with this appliance. Make sure to use a power socket with a capacity of 10 A.
- Do not plug the appliance into a damaged or loose outlet.
- Make sure to unplug the power cord when the appliance is not to be used for an extended period of time.
- Do not damage, alter, excessively bend, twist, pull, pinch or heat the power cord.
- Before using the appliance, remove any wire or string on the floor.
- Avoid touching the prongs of the power plug with your finger(s) when unplugging the power cord.
- Do not cover the power cord with a rug or carpeting.
- Push the power plug firmly into the wall outlet so that it is not loose.
- If the product has been submerged, contact an LG Electronics service centre or dealer for instructions before resuming use.
- If the product makes a strange noise or emits an odour or smoke, discontinue use and contact an LG Electronics customer information centre.
- Only qualified technicians or service personnel from LG Electronics may disassemble, repair or modify the appliance.
- Never insert a sharp metallic object such as a pin, nail or knife in a hole or gap in the appliance or the charging station.
- Do not vacuum liquids with this appliance. Make sure that no water, beverage or detergent gets inside the appliance or the charging station.
- Do not allow the appliance to sweep up blades, thumb tacks, sawdust, sharp objects, or hot or cold ashes.
- Do not allow children to use the appliance.
- Do not let children or pets get close to the appliance when using, charging or storing.
- Do not insert the nozzle or tools in your mouth.
- Keep clothing and hair, fingers, or other parts of the body away from openings and moving parts.
- Do not operate the appliance with the suction inlet or outlet blocked.

- Do not use the appliance without the dust bin and filters in place.
- Do not use in an enclosed space where vapors are present from paint thinner, mothproofing substances, flammable dust or other explosive or toxic materials.
- Do not touch the charging terminals on the appliance or the charging station, or insert an electrified object inside the appliance or the station.
- Always store the appliance on the charging station when it is not in use.
- Do not lean the appliance on walls, chairs or tables.
- If the earth leakage breaker is tripped when the product is put on the charging station, immediately remove the appliance from the charging station. Contact an LG Electronics customer service centre.
- Use extra care when cleaning on stairs.
- Do not use or store a heating device or flammable substance(ether, benzene, alcohol, chemicals, combustible sprays, insecticide, air freshener or cosmetics) in close proximity to the appliance.
- Do not attempt to clean up a liquid substance (water, beverage), odourous substances (candy, chocolate, pet excrement), metallic objects (blades, pins), flammable substances, burning/ smoking(cigarettes, matches, or hot ashes), surfactants, or glass shards with this appliance.
- In the event of a gas leak(natural gas, propane gas, etc.), do not operate this or any other appliance. Open a window or door to ventilate the area immediately.
- Do not hold the charging station upside down with the battery in the charging station.
- Do not expose the appliance, and the battery in particular, to heat, a heating device or direct sunlight.
- Do not keep the appliance or its battery inside a vehicle which is exposed to direct sunlight.
- Never allow any water, beverage or detergent to get inside the battery.
- Do not apply physical impacts to the battery.

Maintenance

- Make sure to unplug the power cord when cleaning or maintaining the charging station.
- Do not wash the inlet port or the dust bin with water or detergent.
- Do not use detergents, polishes or air fresheners to clean the dust bin.
- Do not apply or spray a flammable substance (gasoline or thinner) or surfactants (detergent or bath soap) on the appliance.
- Wash hands after handling nozzles. The nozzles contain carbon fiber, and contact may cause minor skin irritation.

Disposal

- Keep packing materials out of the reach of children. Packaging materials can pose a suffocation risk for children.
- Destroy the carton, plastic bag, and other packing materials after the appliance is unpacked. Children might use them for play. Cartons covered with rugs, bedspreads, or plastic sheets can become airtight chambers.
- Dispose of this appliance according to local, state, and regional laws and regulations.
- Contact your local city council or the related government authority before disposing of this appliance.

Mop Nozzle

- Do not vacuum sharp objects (glass pieces, wire, blades, pins, etc.) with the mop nozzle attached. When cleaning the mop pads after mopping, you could be injured by a sharp object embedded in the mop.

CAUTION

CAUTION

- To reduce the risk of injury to persons, malfunction, or damage to the product or property when using the appliance, follow basic safety precautions, including the following:
-

Operation

- This appliance has a built-in safety device to prevent damage from overheating. If the appliance becomes overheated after extended use, it may automatically turn off. If this occurs, leave the appliance in a cool, well-ventilated area for about an hour before turning on the power again.
- Do not subject the product to shocks or drop it.
- Do not install wet or damp filters.
- Always use a soft cloth to clean the appliance. Do not clean the product with a volatile or organic solvent(thinner or acetone).
- Do not clean the same spot repeatedly for an extended period of time. Doing so may damage the carpet or flooring surface.
- Keep fingers away from pinch points when assembling the appliance or the charging station.
- Do not apply force or any impact to the Cyclonic Mesh Filter.
- Do not remove the battery during operation.

Mop Nozzle

- Do not use the mop nozzle for any purpose(for example, polishing a car, cleaning windows) other than domestic floor cleaning.
- Do not use the mop nozzle to vacuum up liquids(water, beverage).
- When using the mop nozzle, always attach the mop pads.
- Do not clean a coated, rough or delicate floating floor and carpets with the mop nozzle.

- Do not use the mop nozzle to clean the same spot repeatedly for an extended period of time. The water injection at the mop nozzle may cause water to get into the dust inlet and damage the appliance.
- Do not step on the mop nozzle.
- Wet floors can pose a slip hazard. Allow floors to dry completely before allowing anyone to walk on them.
- Do not store the appliance by attaching the water tank filled with water to the mop nozzle.

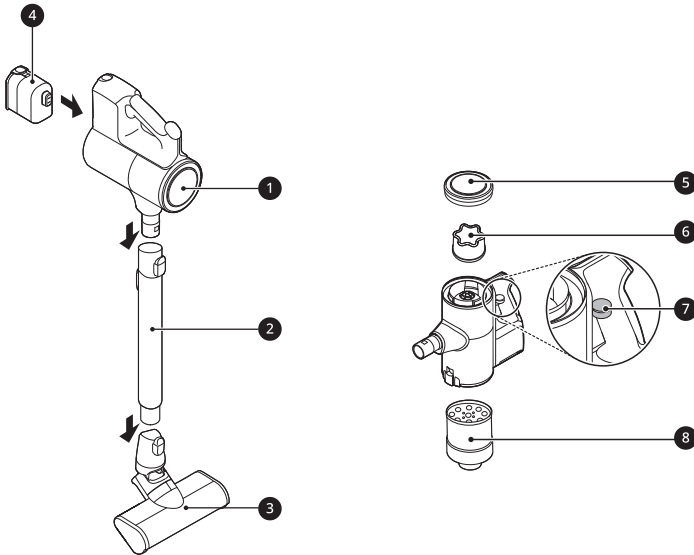
INSTALLATION

Product Overview

The images in this guide may be different from the actual components and accessories, which are subject to change by the manufacturer without prior notice for product improvement purposes.

Front View

*1 This feature is only available on some models.



- ① Product Body
- ② Extension Pipe
- ③ Nozzle
- ④ Battery (Dual Battery*1)
- ⑤ Exhaust Filter
- ⑥ Pre-filter
- ⑦ Kompressor Lever
- ⑧ Cyclonic Mesh Filter

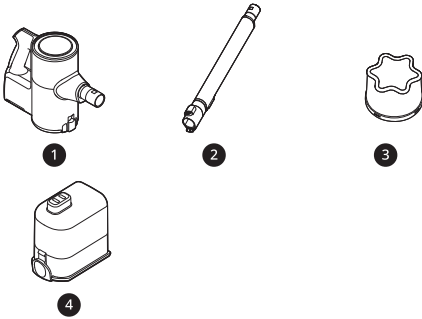
NOTE

- Use the vacuum cleaner only with the provided charging station. Using a charging station other than the one designed to be used with the vacuum cleaner, as improper sealing of the charging station may result and dust not being emptied from vacuum cleaner.
-

Accessories

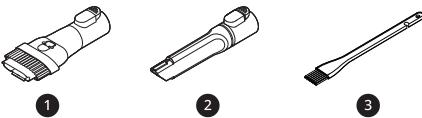
*1 This accessory is only available on some models.

Included Accessories



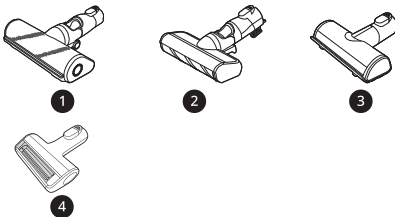
- ① Product Body
- ② Extension Pipe
- ③ Pre-filter
- ④ Battery (Dual Battery)*1

Basic Accessories



- ① Combination Tool
- ② Crevice Tool
- ③ Cleaning Brush

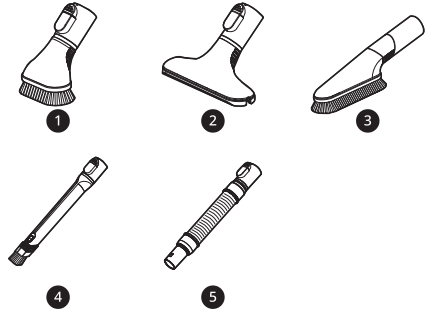
Nozzles



- ① Multi-Surface Nozzle*1
- ② Slim Hard Floor Nozzle*1
- ③ Bedding Nozzle*1

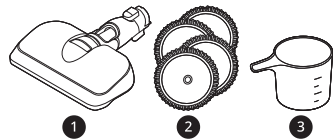
④ Pet Nozzle*1

Tools and Accessory Bag



- ① Hard Dirt Tool*1
- ② Mattress Tool*1
- ③ Multi-angle Tool*1
- ④ Flexible Crevice Tool*1
- ⑤ Flexible Hose Extension*1

Mop Kit



- ① Mop Nozzle*1
- ② Mop Pads for General Cleaning*1
- ③ Measuring Cup*1

NOTE

- The mop pads, batteries, exhaust filter and the pre-filter will eventually need to be replaced. Contact an LG Electronics customer service centre.

Specifications

Appliance

Model	A*****	
Dimensions (Width X Depth X Height)	260 mm X 270 mm x 1120 mm	
Weight	Approximately 2.6 kg	
Power Consumption	370 W in Turbo Mode (Maximum 590 W) 120 W in Power Mode 68 W in Normal Mode	
Battery Run Time (Using two battery)	Using with the Nozzle*¹ Up to 12 minutes in Turbo Mode Up to 40 minutes in Power Mode Up to 80 minutes in Normal Mode	Using with the Tool Up to 14 minutes in Turbo Mode Up to 60 minutes in Power Mode Up to 120 minutes in Normal Mode
Battery Run Time (Using one battery)	Using with the Nozzle*¹ Up to 6 minutes in Turbo Mode Up to 20 minutes in Power Mode Up to 40 minutes in Normal Mode	Using with the Tool Up to 7 minutes in Turbo Mode Up to 30 minutes in Power Mode Up to 60 minutes in Normal Mode

- Dimensions are given for the assembled product body, extension pipe and nozzle.
- Suction power is an average of suction power with IEC 62885-2, 5.8 standard tested by an independent test lab. Individually measured data would be different from a lab test result.
- Battery run time is the result of using a fully charged battery according to the LG Electronics test standard. Results may be different depending on actual use environment and period of use.

*1 The Nozzle contains the direct drive motor that rotates the nozzle cleaning head directly.

Charging Station

Model	VDS-ST1*****
Input	220 - 240 V~ 50 Hz
Output	DC 28.3 V / 1.15 A
Power Consumption	1700 W (Cleaning) 0.4 A (Charging)

Storing the Accessories

Assembling and Storing the Appliance

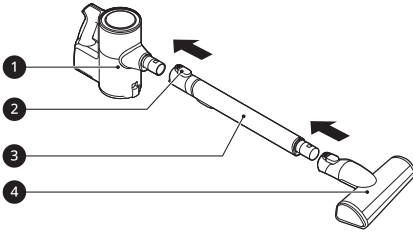
Follow these steps to safely assemble the

appliance.

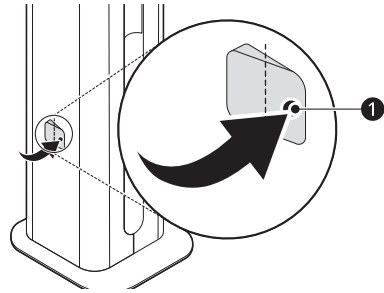
- 1 Firmly attach the extension pipe ③, nozzle ④, or tool onto the product body ①.

16 INSTALLATION

- To detach the extension pipe, press the extension pipe release button ❶.

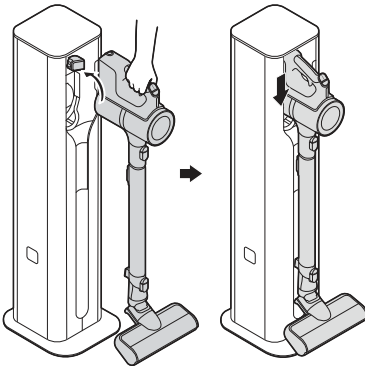


- To open the nozzle hooks, press on the right side. Be careful not to pinch fingers when opening.

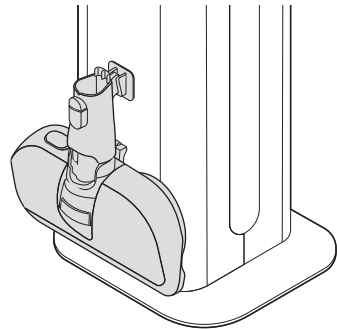


2 Put the product body on the charging station.

- If the vacuum cleaner fits properly inside the product, the alarm will sound. If the alarm does not sound, reinsert the vacuum cleaner.



2 Hang the nozzle on the nozzle hook.



Storing the Tools

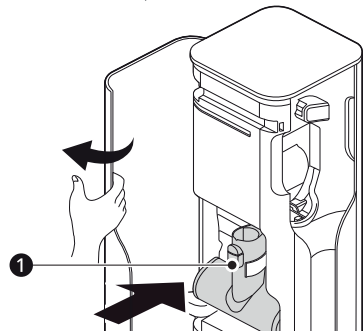
Use the product to store the inlet and components provided with the vacuum cleaner.

The components may differ depending on the vacuum cleaner model.

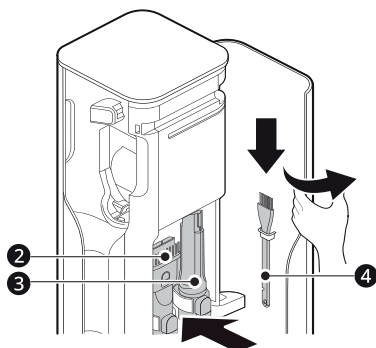
Storing on Sides

- 1** Open the nozzle hook ❶ on both sides of the product.

- 1** Open the left door of the product and insert the bedding nozzle or the pet nozzle ❶ for storage.

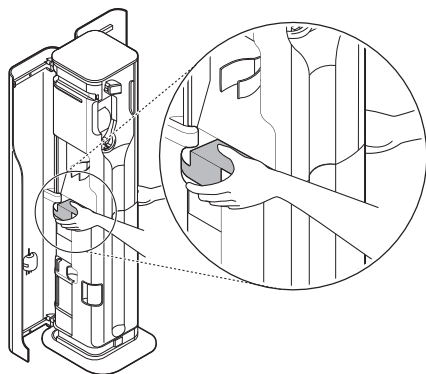


- 2 Open the right door and insert the combination tool ②, the crevice tool ③ and the cleaning brush ④ for storage.



NOTE

- Before moving the product, unplug it and remove the vacuum cleaner, nozzles, and accessories.
- To carry the product, open both doors and hold the areas shown.



OPERATION

Getting Started

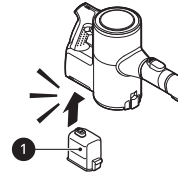
Before Using the Appliance

- Support the bottom of the appliance when cleaning an elevated surface.
- To avoid scratches on polished floors, keep the brushes of the nozzles and tools free from grit, sand, or abrasive objects.
- Make sure that the exhaust filter or pre-filter is properly assembled before using the appliance.
- Close the dust bin cover properly before using the appliance. If the dust bin cover is left open, the suction strength may deteriorate and affect the cleaning results.
- Store the appliance in the charging station or place it flat on the floor when not in use. Leaning the appliance against a wall or chair can result in product damage or personal injury if the appliance falls.
- Environmental conditions such as temperature and humidity may cause static electricity to accumulate on the appliance. Please contact LG Electronics customer information centre if the problem persists.
- Make sure to remove any foreign object such as a sock or stocking before using the appliance. Any foreign object on the inlet port or extension pipe will prevent the appliance from functioning properly.
- Please use the product at normal room temperatures as the battery runtime may deteriorate severely if used at temperatures lower than 5 °C or higher than 38 °C for an extended period of time.
- The battery runtime is dependent on the surface type and the suction power.
- Follow manufacturer's recommendations when cleaning flooring, carpets, and rugs.
- Refer to the **Specifications** section for battery runtime details.

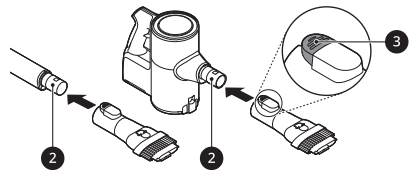
Assembling Attachments

Nozzles and tools can be attached to either the product body or the end of the extension pipe.

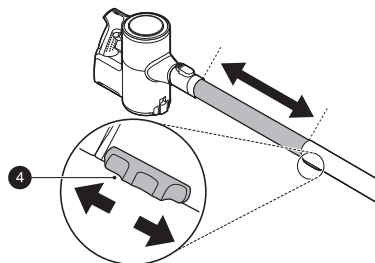
- 1 Insert the fully charged battery ① into the cavity at the bottom of the handle on the product body.



- 2 Attach the nozzles, tools, or extension pipe by sliding them onto the inlet ② on the body until they click into place. The nozzles and tools can also be attached to the end of the extension pipe ②.
 - Detach the accessories by pressing the release button ③.



- 3 Adjust the extension pipe by pressing the length adjustment button ④ on the back of the pipe and sliding until it clicks into place at the desired length.
 - The extension pipe extends in four steps.

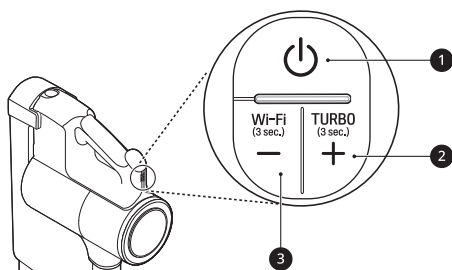


4 Press the **Power** button to activate the **Normal** mode.

- To turn off the appliance, press the **Power** button again.

Adjusting the Suction Power

Adjust the suction power using the suction power adjustment button on the handle.



1 Power Button

- Press the **Power** button to turn the appliance on or off.
- Press the **Power** button to activate **Normal** mode.

2 Suction Power Up (+) Button / Turbo Mode

- Press the + button to increase the suction power. (**Normal**→**Power**→**Turbo**)
- Press and hold the + button for more than 3 seconds to activate **Turbo** mode from **Power** mode.

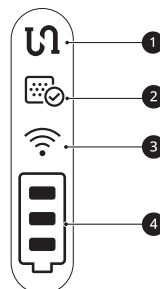
3 Suction Power Down (-) Button / Wi-Fi Mode

- Press the - button to decrease the suction power. (**Turbo**→**Power**→**Normal**)
- Press and hold the - button for 3 seconds to activate Wi-Fi and connect the appliance in the **LG ThinQ** application.

Display

The handle of the appliance displays indicators for clogged objects, filter cleaning alerts, appliance

connection status, and the remaining battery charge.



1 Clogged Objects Indicator

- This indicator lights up when the interior of the product body, extension pipe, inlets, nozzle, exhaust filter, pre-filter, or cyclonic mesh filter is clogged with foreign objects.
- If clogging persists, the motor will cycle and the appliance will shut off. Remove the foreign objects and clean the exhaust filter, pre-filter and cyclonic mesh filter following the steps in the Removing Foreign Objects section.

2 Filter Cleaning Cycle Alarm Indicator

- This indicator lights up when the appliance is used for a certain period of time. Clean the exhaust filter, pre-filter and cyclonic mesh filter if necessary.

3 Wi-Fi Indicator

- This indicator blinks when the appliance is connecting to the **LG ThinQ** application or home Wi-Fi network, and the indicator lights up when the connection is complete.

4 Battery Level Indicator

- The remaining battery level is displayed in 3 stages according to the remaining battery power.
- The battery level indicator blinks when the battery needs to be charged.
- As the product is charging, bars light up on the battery level indicator to indicate the level of charge.
- Once the battery is fully recharged, 3 bars will remain lighted on the battery level indicator.

Charging the Battery

Before Charging the Battery

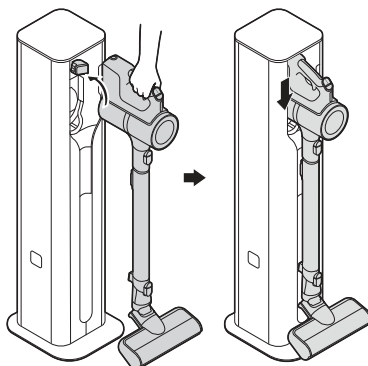
- Make sure that the adapter is connected to both the charging station and the power outlet.
- Fully charging a single battery usually takes 4 hours. It will take twice as long to charge both the main and spare batteries.
- The battery will not be charged if the indoor temperature is below 5 °C. Only charge the battery when indoor temperatures are between 5 °C and 38 °C.
- The battery will eventually need to be replaced. Due to the battery characteristics, runtime is shortened after using the appliance repeatedly for an extended period.
- The last bar on the battery indicator begins to flash when the battery needs to be recharged. Use the appliance with a fully charged battery.
- To maintain battery life on dual-battery models, swap the positions of the two batteries periodically, between the main body and the spare charging station.

Charging the Vacuum Cleaner

Storing the appliance on the charging station automatically recharges the battery.

- 1 Press the **Power** button to turn the appliance off.
- 2 Put the product body on the charging station.
 - Make the extension pipe its shortest length before placing the vacuum onto the charger.
 - The appliance cannot be loaded onto the charging station if either the combination tool or the crevice tool is inserted. Use the charging station only after removing the combination tool or the crevice tool, if either happens to be fitted
 - If you don't hear a beep, reload the appliance on the charging station.

- Once the battery is fully recharged, 3 bars will remain lit on the battery level indicator.



⚠ WARNING

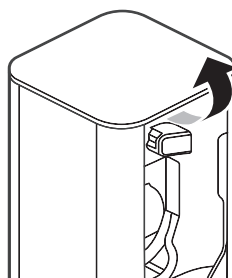
- Make sure to securely fit the product body onto the charging station. If the appliance falls off the charging station, it could cause injuries, property damage or product damage.

Charging the Spare Battery

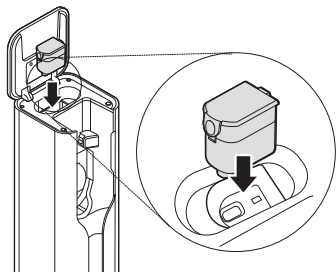
After the vacuum cleaner has finished charging, the spare battery will start charging.

One or two batteries are provided. The number of batteries varies depending on the model purchased.

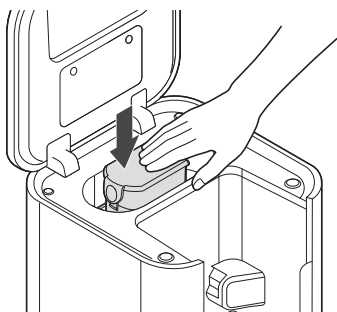
- 1 Lift the front of the control panel located at the top of the charging station.



- 2 To insert, align the battery with the outline of the battery charger.



- 3 Press the battery down into the compartment.



NOTE

- The spare battery icon (🔋) in the status display flashes during charging and remains on when charging is complete.
- Insert the spare battery completely. If the spare battery is inserted correctly, the spare battery icon (🔋) flashes.

Using the Mop Nozzle

Before Using the Mop Nozzle

- The mop pads only rotate at one speed regardless of what suction power setting the product body is set to.
- To prevent product damage, the mop attachment plate will automatically stop if there are foreign objects stuck in the plate or if it is subjected to a strong impact. Turn the appliance

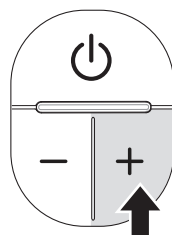
off immediately and remove the foreign objects or obstructions before resuming use.

- If you hear a noise while mopping, the mop pad may have dropped off the mop attachment plate. Turn off the product immediately and reattach the mop to the attachment plate before resuming use.
- Do not use a soiled mop pad to clean floors.
- Use only authorized LG Electronics mop pads.
- Empty the dust bin and clean the fine dust filter and the pre-filter after using the mop nozzle.

Using the Wet Mop Pads

Press the **Power** button. You can use the only mop mode and not turn on the dust suction function.

- Press the **+** button to turn on the dust suction function.



- Press the **-** button once while pressing the **+** button once to turn off the dust suction function.

CAUTION

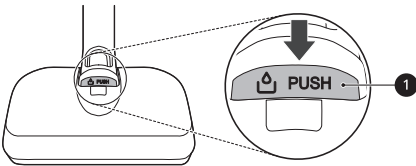
- Do not assemble or disassemble the nozzle while the appliance is turned on. Doing so may result in injury.
- Set the water adjustment button to the **STOP** position when not using the appliance for an extended period of time. Failure to do so may result in product failure.
- Do not let the appliance stand on the floor while the wet mop pads are attached. Doing so may result in damage or swelling to wood flooring.
- Do not use on PVC or PU mat for infants or children. Friction can cause the motor to overheat.

⚠ CAUTION

- If you use the mop nozzle for a long time with the suction off, the motor may overheat (recommended duration of use: 80 minutes). When the motor overheats, the overheating prevention function is activated and the appliance is automatically turned off. Use the appliance after cooling the heat for about one hour in a cool, well-ventilated place.

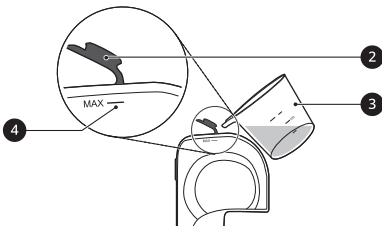
Filling the Water Tank

- 1 Press the **PUSH** button ① to remove the water tank from the mop nozzle.



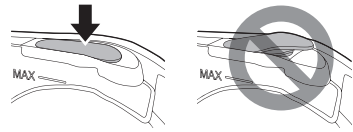
- 2 Open the water inlet cap ② on the side of the water tank and fill the tank with water using the measuring cup ③.

- Open only one water inlet cap to fill the water. Opening both caps may cause the water to flush.
- Do not fill the tank over the **MAX** line ④.
- Do not put liquid other than water and hot water in the water tank.



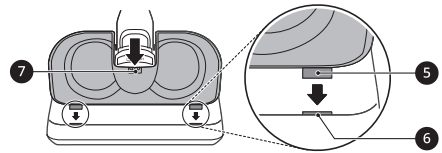
- 3 Close the water inlet cap tightly.

- If the water inlet cap is not closed properly, water may leak.



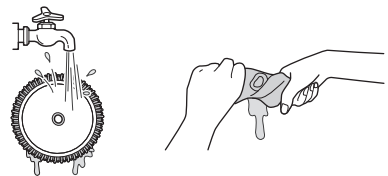
- 4 Attach the water tank to the mop nozzle again.

- Insert the 2 tabs ⑤ at the front of the water tank into the slots ⑥ on the top of the mop nozzle. Press down at the centre ⑦ to lock the tank in place.



Attaching the Mop Pads

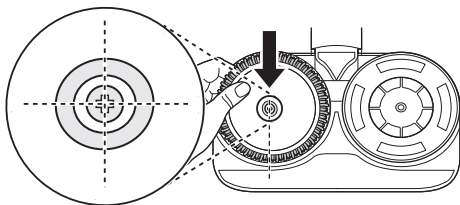
- 1 Wet both sides of the mop pads with water then squeeze out any excess water before attaching the pads.
 - Do not attach pads while they are dripping wet.
 - Attaching and using mop pads while they are dry may affect the cleaning results.



- 2 Place the mop nozzle upside down on the floor.

- 3 Align and attach the centre of the mop pad with the centre of the mop attachment plate.
 - Attach the Velcro on the mop pad to the mop plate. Attaching the mop pad upside down

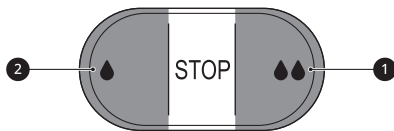
or improperly may affect the cleaning results.



- 4 Attach the mop nozzle to the appliance.

Adjusting the Amount of Water

Press the water adjustment buttons to adjust the amount of water released onto the mop pad to either **High Mode** or **Low Mode**.



- **High Mode:** Press the **High Mode** button ① all the way down to clean ingrained dirt or supply a large amount of water.
- **Low Mode:** Press the **Low Mode** button ② all the way down to supply a small amount of water for cleaning wood or other flooring that can be damaged by too much water.
- **STOP:** Press the **Low Mode** or **High Mode** button halfway to toggle back to the **STOP** position. This stops the supply of water so you can go over areas that are already wet.

⚠ WARNING

- To avoid injury, do not attach the mop pad while the mop attachment plate is rotating.

⚠ CAUTION

- Do not let the appliance stand on the floor while the wet mop pads are attached. Doing so may result in damage or swelling to wood flooring.

Using with the Mop Nozzle

- 1 Attach the water tank and mop pads to the mop nozzle.
- 2 Set the water adjustment button to the **STOP** position.
- 3 Press the **Power** button to start cleaning.

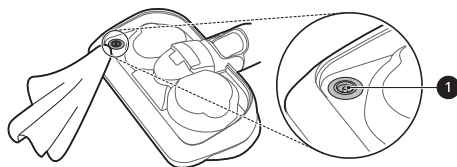
Drying the Water Tank and Mop Pads

Drying the Water Tank

When cleaning is completed, make sure to empty the water tank and dry it before storing the mop nozzle.

⚠ CAUTION

- Turn the water inlet caps to make sure they remain open when storing the water tank. If caps are closed and not properly dried, it may cause odour.
- Do not remove the water inlet caps from the water tank. Caps may tear.
- Do not add detergent, vinegar or baking soda to the water tank when washing. It is not easily removed in the water tank, which may soil the floor.
- After cleaning, wipe off any remaining water on the water supply inlet ① on the mop nozzle with a soft cloth. The water could drip onto the floor and damage it.

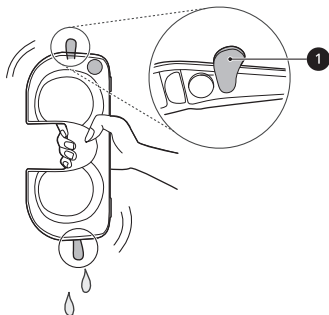


- Do not pull or stretch the rubber gasket on the water supply inlet. Doing so may tear or damage it.

- 1 Open the 2 water inlet caps ① on the side of the water tank and empty the water tank.

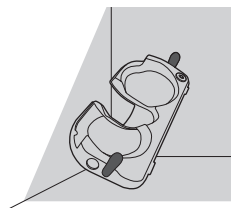
24 OPERATION

Shake the water tank to remove the remaining water.



2 Leave the 2 water inlet caps open and allow the water tank to dry in a well-ventilated area out of direct sunlight for at least 24 hours.

- Keep the water tank after water is completely empty and dry. Moisture or residual water in the tank may cause odour.



Drying the Mop Pads

After using the mop pads, hand wash them and allow them to dry before storing them.

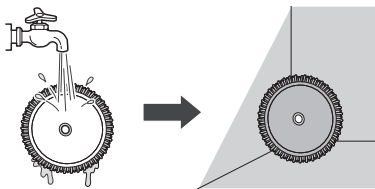
⚠ CAUTION

- Do not use as follows, as it may become deformed.
 - Do not use bleach or fabric softener when washing the mop pads.
 - Do not dry the pads in a clothes dryer.
 - Do not boil the mop pad.

1 Separate the mop pads from the mop attachment plate.

2 Hand wash the pads with a neutral detergent.

- Storing mop pads in a damp state can result in an unpleasant odour. Set the pads in a well-ventilated area out of direct sunlight for at least 24 hours or until completely dry.



Using the Nozzles and Tools

Before Using the Nozzles and Tools

Some accessories are only available on some models.

Specialized attachments can help you clean more effectively. Tools and nozzles can be attached to the product body or the extension pipe.

- Adjust the suction power if the inlet gets stuck on the floor, carpet, or bedding.
- Each Nozzle is equipped with a motor and may make a sound when operating.

⚠ CAUTION

- Do not use the **Multi-Surface Nozzle** or **Slim Hard Floor Nozzle** on PVC or polyurethane mats for infants and children. The mat may stick to the nozzle, making it difficult to operate, causing damage to the mat or static electricity on the appliance. Clean mats using the crevice tool.

Multi-surface Nozzle

Use this nozzle to clean carpets or rugs.

- If used on hard flooring, this nozzle will be noisy.

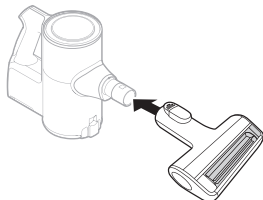
Slim Hard Floor Nozzle

Use this nozzle to clean hard floor surfaces.

- While cleaning, it was not intended, but pressing the **PUSH** button on the nozzle may remove the brush. Please attach the brush again.

Pet Nozzle

It is suitable for soft surfaces and pet hair removal.



⚠ CAUTION

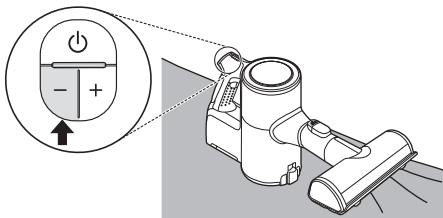
- Do not use the nozzle following surface. It may cause scratch or damage. Especially, do not clean a coated or lacquered floor. If used repeatedly, the coating may wear off.

- Clothing, bedding
- Leather cushioned sofas, cushions
- Carpet
- Vinyl flooring, tiles, marble, etc.

Bedding Nozzle

This nozzle lets you clean sheets and bedding more effectively. It removes dust in bedding using strong suction and a punching motion.

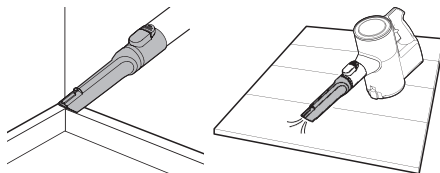
- Lower the suction level when vacuuming bedding such as duvet covers to avoid the thin fabric getting sucked into the nozzle.



Crevice Tool

Use this tool to remove dust from corners or narrow spaces.

- Use it for areas with static electricity such as mats.
- Use it with the **Turbo** mode to clean pet hair out of furniture, mats, or tight areas like corners.

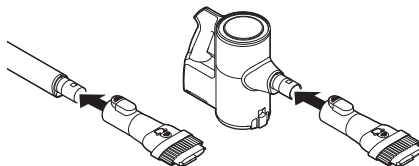


Combination Tool

Can be used in either crevice mode or brush mode for cleaning corners or small gaps where dust and dirt gather.

• Crevice Mode

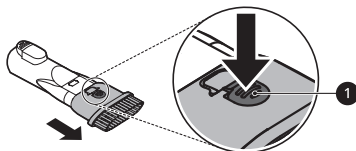
Use the tool in the crevice mode to clean flat surfaces such as sofas or mattresses.



• Brush Mode

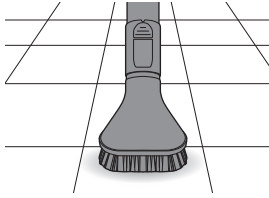
Use the tool in the brush mode to clean delicate surfaces such as frames or furniture.

- To convert modes, press the adjustment button **1** and push forward.



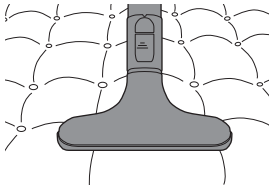
Hard Dirt Tool

Firm bristles remove solidified dirt from hard surfaces. Clean up hair or foreign objects that are entangled in carpets or rugs.



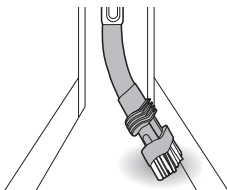
Mattress Tool

Use this tool to clean up dust and foreign objects from mattresses, delicate fabrics, and upholstery.



Flexible Crevice Tool

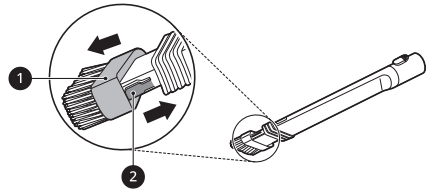
This tool is flexible and its length can be adjusted, making it especially useful for cleaning inside vehicles or in narrow spaces under and behind furniture where an angled tool is needed.



Using the Brush

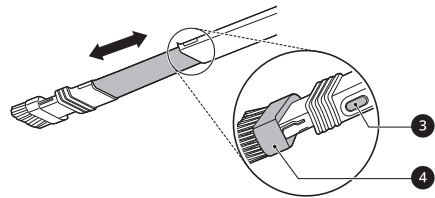
To convert the tool from crevice to brush mode, press in on the sides of the brush head ① and pull the brush down.

- To convert back to the crevice mode, press in on the brush release button ② and slide the brush up.



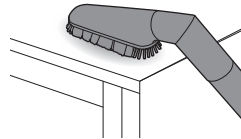
Adjusting the Length

To adjust the length of the tool, press and hold the release button ③ on the side of the tool. Pull or push on the brush head ④ to extend or retract the extension tube.



Multi-angle Tool

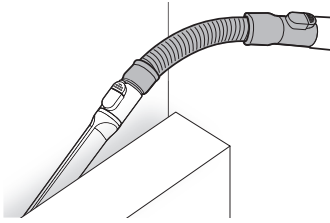
This tool has a soft brush that can be adjusted to a variety of angles, making it especially useful for cleaning vehicle consoles or the tops of furniture.



Flexible Hose Extension

Connect this flexible, extendable hose between the product body and the tools to clean hard to reach areas.

- The flexible hose extension cannot be used with the power drive Nozzle.



Using the Kompressor Lever

Use the Kompressor lever to compress hair and fibers inside the dust bin after vacuuming and before emptying the dust bin.

- The vacuum must be turned off before using the Kompressor lever.
- Compressing the dust clears it off the interior walls of the dust bin and allows you to vacuum for longer periods before emptying the dust bin. It also makes cleaning the dust bin easier and less messy.
- The dust bin must be at least half full for the compression plate to be effective.
- Press the Kompressor lever down several times to compress the dust and clean off the interior walls of the dust bin.

NOTE

- Do not force the Kompressor lever down if it does not travel down all the way or feels obstructed. Doing so can break the lever. If it cannot be pushed down, the cyclonic filter must then be removed and cleaned and dust tank checked for any obstructions.
-

SMART FUNCTIONS

Using LG ThinQ Application

The **LG ThinQ** application allows you to communicate with the appliance using a smartphone.

LG ThinQ Application Features

- **Setting the default mop operation**
 - This function allows the setting of the default operation mode of the Mop Nozzle.
- **Cleaning History**
 - Shows the cleaning history, such as monthly cleaning time, cleaning frequency, and cleaning mode, etc.

NOTE

- Assembled suction tool is displayed on the screen during cleaning.
- A notification is displayed on the screen if the pre-filter and the exhaust filter need cleaning.

• Filter Cleaning Cycle Alarm

- After using the appliance for a certain period of time, a notification is displayed on the screen of your smartphone. Clean the exhaust filter or pre-filter, if necessary.

• Cleaning Mode

- The cleaning mode you are using is displayed on the screen of your smartphone.

• Filter Cleaning Guide

- Guide to cleaning the filters.

• Smart Diagnosis™

- This function provides useful information for diagnosing and solving issues with the appliance based on the pattern of use.

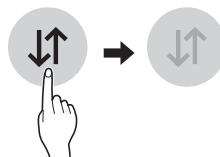
NOTE

- If you change your wireless router, Internet service provider, or password, delete the connected appliance from the **LG ThinQ** application and connect it again.
- This information is current at the time of publication. The application is subject to change

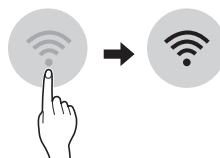
for product improvement purposes without notice to users.

Before Using LG ThinQ Application


- 1 Use a smartphone to check the strength of the wireless router (Wi-Fi network) near the appliance.
 - If the appliance is too far from the router, the signal becomes weak. It may take a long time to register or fail to install the application.
- 2 Turn off the **Mobile data** or **Cellular Data** on your smartphone.



- 3 Connect your smartphone to the wireless router.



NOTE

- To verify the Wi-Fi connection, check that the  icon on the control panel is lit.
- The appliance supports 2.4 GHz Wi-Fi networks only. To check your network frequency, contact your Internet service provider or refer to your wireless router manual.
- **LG ThinQ** is not responsible for any network connection problems or any faults, malfunctions, or errors caused by network connection.

- The surrounding wireless environment can make the wireless network service run slowly.
- If the appliance is having trouble connecting to the Wi-Fi network, it may be too far from the router. Purchase a Wi-Fi repeater (range extender) to improve the Wi-Fi signal strength.
- The network connection may not work properly depending on the Internet service provider.
- The Wi-Fi may not connect or the connection may be interrupted because of the home network environment.
- If the appliance cannot be connected due to problems with the wireless signal transmission, unplug the appliance and wait about a minute before trying again.
- If the firewall on your wireless router is enabled, disable the firewall or add an exception to it.
- The wireless network name (SSID) should be a combination of English letters and numbers. (Do not use special characters.)
- Smartphone user interface (UI) may vary depending on the mobile operating system (OS) and the manufacturer.
- If the security protocol of the router is set to **WEP**, network setup may fail. Change the security protocol (**WPA2** is recommended), and connect the product again.

Installing the LG ThinQ Application

Search for the **LG ThinQ** application from the Google Play Store or Apple App Store on a smartphone. Follow instructions to download and install the application.

Connecting the Appliance to LG ThinQ

Wi-Fi Indicator Status

Indicator Status	Description
Blinking	The appliance is connecting.
ON	The appliance has finished connecting. The appliance is connected to Wi-Fi.
OFF	The appliance has been disconnected.

Connecting the Appliance Initially

Select your appliance on menu by pressing the **Add a Product (+)** button. Follow instructions in the **LG ThinQ** to connect your appliance.

Connecting Additional Users

Remove the appliance from the charging station. Follow the instructions under **Connecting the Appliance Initially**.

NOTE

- The usage history will be reset if you delete a connected appliance in **LG ThinQ**.
- If the Wi-Fi signal is weak, the appliance may be temporarily disconnected to the application. When the Wi-Fi signal moves to the normal position, the appliance is connected to the application again.


Turning Wi-Fi On/Off on the Appliance

Disconnecting from Wi-Fi

To save energy, turn off the Wi-Fi function by pressing the **Wi-Fi** button for 3 seconds while the appliance is charging on the charging station.

Reconnecting to Wi-Fi

Follow the steps below on the appliance.

- 1 Press and hold the **Wi-Fi** button for 3 seconds until the  icon blinks in the display.

- 2** Press the **Wi-Fi** button for 3 seconds again.
- After the icon turns off, wait for a while and turn it on again.
 - The time before the icon turns on may vary depending on the network environment.

RF Radiation Exposure Statement

RF Radiation Exposure Statement This equipment complies with radiation exposure limit (<4.0 W/kg for extremity (hand) exposure condition) set forth for an uncontrolled environment.

Open Source Software Notice Information

To obtain the source code under GPL, LGPL, MPL, and other open source licenses, that is contained in this product, please visit <http://opensource.lge.com>. In addition to the source code, all referred license terms, warranty disclaimers and copyright notices are available for download.

LG Electronics will also provide open source code to you on CD-ROM for a charge covering the cost of performing such distribution (such as the cost of media, shipping, and handling) upon email request to opensource@lge.com. This offer is valid for a period of three years after our last shipment of this product. This offer is valid to anyone in receipt of this information.

Smart Diagnosis Function

Use this feature to help you diagnose and solve problems with your appliance.

NOTE

- For reasons not attributable to LGE's negligence, the service may not operate due to external factors such as, but not limited to, Wi-Fi unavailability, Wi-Fi disconnection, local app store policy, or app unavailability.

- The feature may be subject to change without prior notice and may have a different form depending on where you are located.
-

Using LG ThinQ to Diagnose Issues

If you experience a problem with your Wi-Fi equipped appliance, it can transmit troubleshooting data to a smartphone using the **LG ThinQ** application.

- Launch the **LG ThinQ** application and select the **Smart Diagnosis** feature in the menu. Follow the instructions provided in the **LG ThinQ** application.

MAINTENANCE

Cleaning the Appliance

Before Cleaning the Appliance

To maintain the optimum suction power, the cyclonic mesh filter, the exhaust filter and the pre-filter should be cleaned regularly and washed under running water at least once a month.

- Turn off the power before cleaning the appliance.
- The frequency of cleaning varies depending on the usage environment and usage time. In a dusty environment, clean frequently.

⚠ WARNING

- Never wash the Nozzle, rotating brush or product body with water. Water could reach the motor and cause electric shock or fire.
- Do not allow foreign objects to enter the motor. Doing so may cause electric shock, fire or product damage.
- Do not insert fingers or sharp objects into the motor. Doing so could cause product damage, personal injury or electric shock.

⚠ CAUTION

- Do not apply force or allow impacts to the cyclonic mesh filter. Doing so could deform the filter, compromise product performance, or cause the product to malfunction.
- If the Kompressor lever does not return to the top, remove the cyclonic mesh filter from the dust bin and clean it. A clogged or dirty filter may cause poor cleaning results.

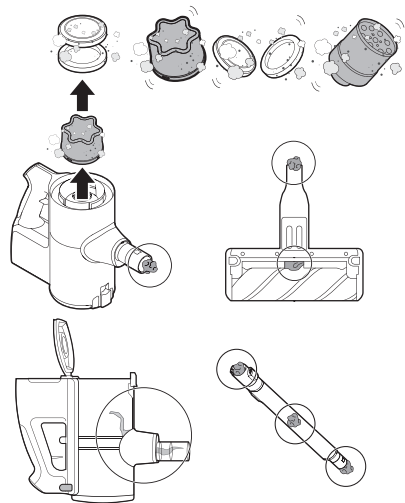
Removing Foreign Objects

If the appliance is clogged with foreign objects, the suction power changes, the motor cycles repeatedly, and the foreign objects clogging alarm icon blinks.

If clogging persists, the appliance will turn off automatically to prevent damage. Separate the

battery from the product body and remove the foreign objects before resuming use of the appliance.

- Check the inside of the product body, above the Kompressor working plate, the extension pipe, inlets, exhaust filter, pre-filter and cyclonic mesh filter for foreign objects.
- If the inlets are not completely blocked, the foreign objects clogging alarm indicator may not light up.
- If the sound of the appliance becomes loud or the cleaning results is poor, check for foreign objects.



Cleaning the Dust Bin

Empty and clean the dust bin after every use.

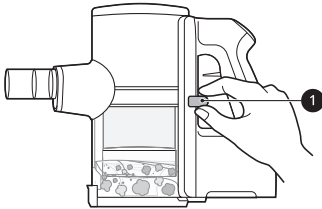
- If the dust bin is completely full of dust or the filter is clogged, the suction power may be reduced.

⚠ CAUTION

- Do not use the appliance without the cyclonic mesh filter installed. Doing so could damage the appliance.

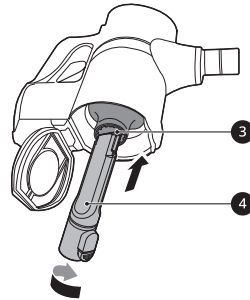
32 MAINTENANCE

- 1 Remove the battery from the product body before cleaning the dust bin.
- 2 Push down the Kompressor lever **1** several times to collect and compact the dust from the outside of the cyclonic mesh filter and the interior walls of the dust bin.
 - Foreign objects which become lodged in the cyclonic mesh filter may be difficult to dislodge with the Kompressor lever. Remove the cyclonic mesh filter and use the provided cleaning brush to clean it.

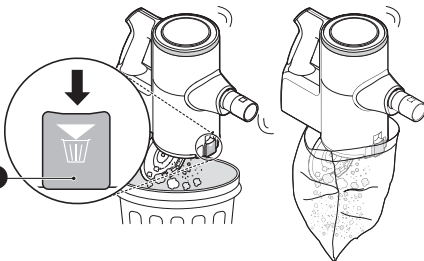


- Do not force the Kompressor lever down if foreign objects are caught around the working plate of the Kompressor system. Doing so may cause product damage.

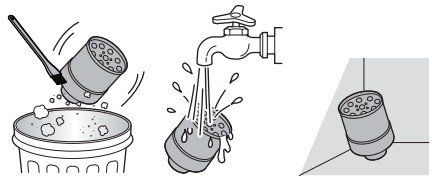
- 4 Insert the crevice tool **4** into the cyclonic mesh filter **3** and turn it counterclockwise to remove the filter.



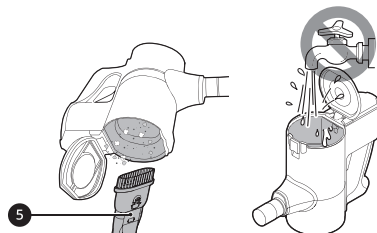
- 3 Press the dust bin cover release button **2** to open the dust bin cover. Shake the dust bin to empty it.
 - Be careful as dust or foreign objects may spill out when opening the dust bin. Empty the dust bin into a wastebasket or where dust and foreign objects can be easily removed.
 - The dust bin can be wrapped in a plastic bag to contain the dust when emptying the dust bin.



- 5 Wash the cyclonic mesh filter under running water.
 - To avoid odour and the malfunction of the motor, allow the cyclonic mesh filter to dry completely in a well-ventilated area out of direct sunlight for at least 24 hours before reassembling.



- 6 Use the combination tool **5** to clean out dust or foreign objects inside the dust bin.
 - Do not wash the product body or motor with water.

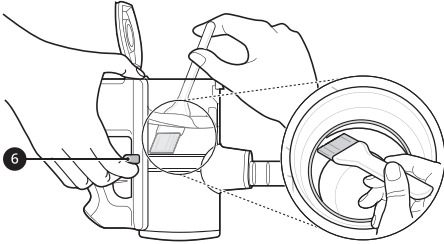


⚠ WARNING

- If the Kompressor lever does not slide down smoothly, foreign objects may be trapped between the dust bin and the cyclonic mesh filter. Clean the dust bin and cyclonic mesh filter to avoid product damage.

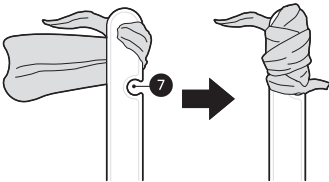
7 Turn the product body over and lift the Kompressor lever **6** up to clean the inside of the working plate with the provided cleaning brush.

- Do not push the Kompressor lever down hard. The working plate may be damaged.

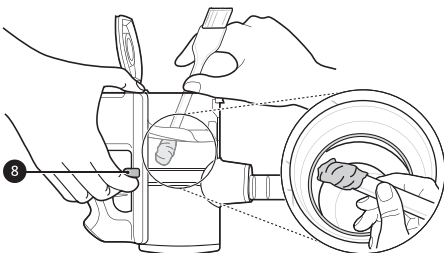


8 Turn the product body over again and shake it while pressing down the lever to remove the dust.


9 Wrap the provided cleaning brush with a wet paper towel, tucked into the slots **7** on the handle.



10 Turn the product body over, lift the Kompressor lever **8** up, and clean the inside of the working plate with the towel-wrapped brush handle.



Cleaning the Filters

Clean the exhaust filter and the pre-filter when the filter cleaning icon  lights up.

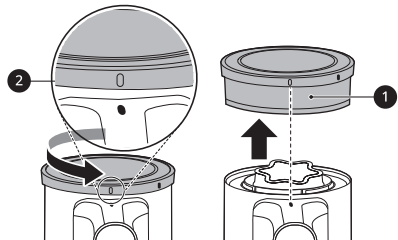
- Clean the filters more frequently if the appliance is used regularly or in areas with a lot of dust.

⚠ CAUTION

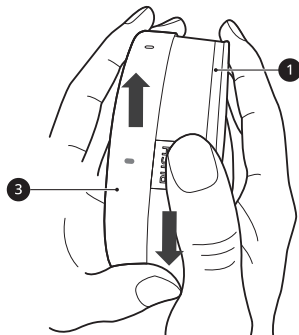
- Do not use the appliance without the exhaust filter and pre-filter installed. Doing so could result in product damage.

1 Remove the battery from the product body.

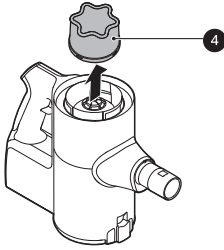
2 Rotate the exhaust filter **1** to the unlocked position **2** to separate it from the product body.



3 Grip the exhaust filter cover **3** and the exhaust filter **1** using both hands and rotate the exhaust filter cover while pressing the **PUSH** button in order to separate it from the exhaust filter.

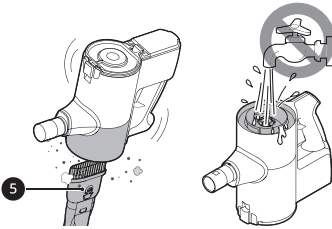


- 4** Lift out the pre-filter **4** from the product body.



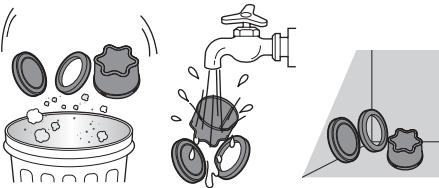
- 5** Use the combination tool **5** to clean any dust off the motor.

- Do not wash the motor with water.

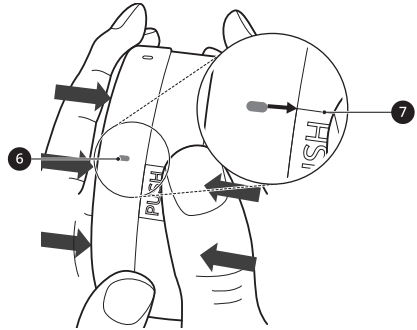


- 6** Clean filters by brushing the dust off and wash them in running water at least once a month.

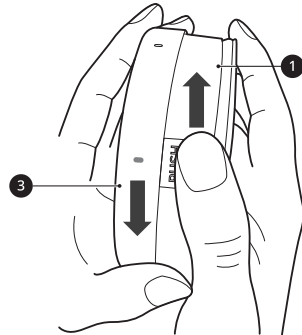
- To avoid odour and the malfunction of the motor, allow the exhaust filter to dry completely in a well-ventilated area out of direct sunlight for at least 24 hours before reassembling.



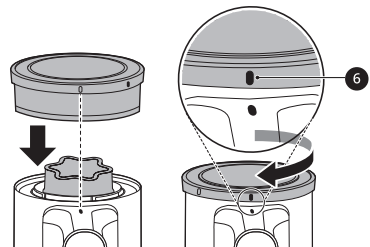
- 7** Align the lock position **6** of the exhaust filter cover with the letter "H" **7** of the **PUSH** button on the exhaust filter.



- 8** Push and insert the exhaust filter cover **3** into the exhaust filter **1** and rotate it to reassemble it and prevent it from falling out.



- 9** Insert the dried pre-filter and rotate the exhaust filter to the locked position **6** to reassemble it on the product body.



Cleaning the Nozzles

Clean the nozzle and rotating brush regularly.

⚠ CAUTION

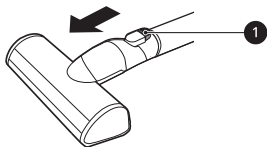
- Always separate the nozzle from the product body or remove the battery before cleaning. If the nozzle starts to operate during cleaning, it could cause an injury.
- Keep fingers away from pinch points when assembling the nozzle on the appliance or the rotating brush on the nozzle.
- Do not use the rotating brush as a wet mop. It may cause product damage.
- Do not rinse or submerge the rotating brush or nozzle in water. It may cause product damage.

Cleaning the Multi-Surface Nozzle

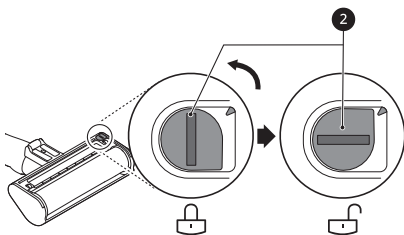
Clean the brush and roller heads before each use.

- If the brush contains foreign objects, the brush may not spin or a noise may occur during operation.

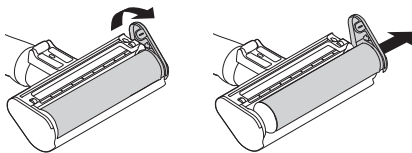
- 1 Press the nozzle release button ❶ to remove the nozzle from the extension pipe or product body.



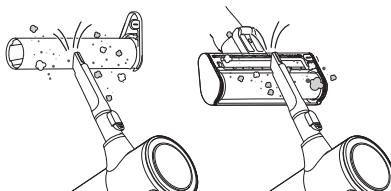
- 2 Turn the nozzle upside down and rotate the cover lock slot ❷ counterclockwise.



- 3 Pull the brush cover forward and pull the brush out.

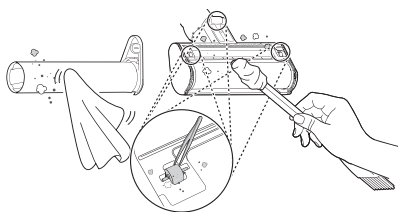


- 4 Attach the crevice tool to the product body and use the vacuum to remove foreign objects and dust from the brush and the bottom of the nozzle.



- 5 Use a damp towel or cloth to remove any remaining foreign objects and dust from the brush and the bottom of the nozzle. Remove foreign objects, debris and hair from all Rollers of the nozzles using tweezers.

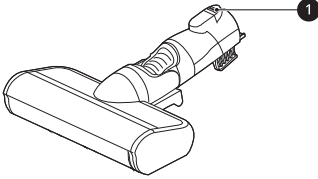
- Wrap the handle of the cleaning brush with a wet towel or cloth and use it to clean the rotating brush and nozzle.



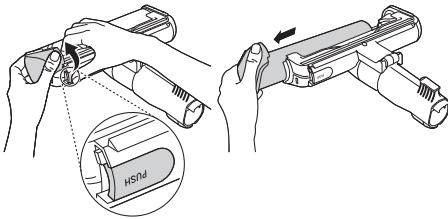
- 6 Slide the brush back into the nozzle and rotate the cover back into place. Turn the cover lock clockwise to lock the cover.

Cleaning the Slim Hard Floor Nozzle

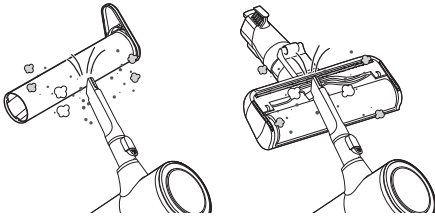
- 1 Press the nozzle release button **1** to remove the nozzle from the extension pipe or product body.



- 2 Turn the nozzle upside down and remove the rotating brush while holding down the **PUSH** button on the nozzle.

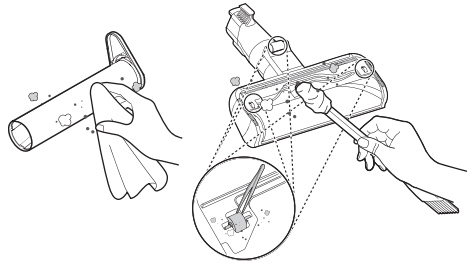


- 3 Attach the crevice tool to the product body and use the vacuum to remove foreign objects and dust from the brush and the bottom of the nozzle.



- 4 Use a damp towel or cloth to remove any remaining foreign objects and dust from the brush and the bottom of the nozzle. Remove foreign objects, debris and hair from all Rollers of the nozzles using tweezers.

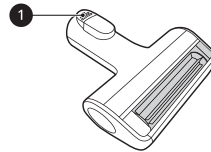
- Wrap the handle of the cleaning brush with a wet towel or cloth and use it to clean the rotating brush and nozzle.



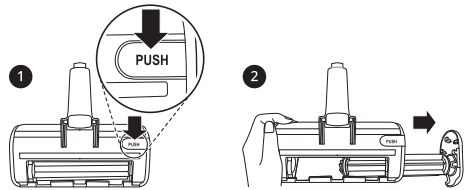
- 5 Slide the brush back into the nozzle until it clicks into place.

Cleaning the Pet Nozzle

- 1 Press the nozzle release button **1** to remove the nozzle from the extension pipe or product body.

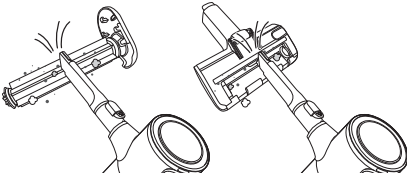


- 2 Remove the rotating brush while holding down the **PUSH** button on the nozzle.

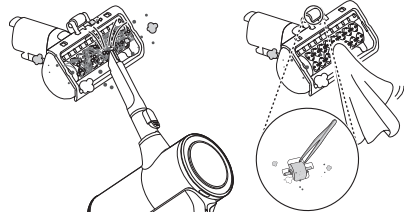


- 3 Attach the crevice tool to the product body and use the vacuum to remove foreign objects and

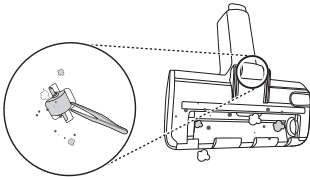
dust from the brush and the bottom of the nozzle.



- 2 Attach the crevice tool to the product body and use the vacuum to remove foreign objects and dust from the bottom of the nozzle. Use a damp towel or cloth to remove any remaining foreign objects and dust from the bottom of the nozzle. Remove foreign objects, debris and hair from all Rollers of the nozzles using tweezers.

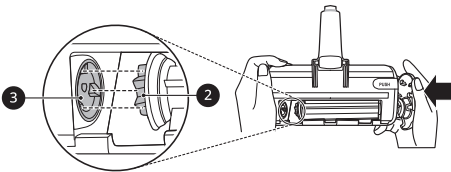


- 4 Use a damp towel or cloth to remove any remaining foreign objects and dust from the brush and the bottom of the nozzle. Remove foreign objects, debris and hair from all Rollers of the nozzles using tweezers.



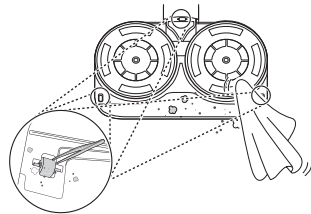
Cleaning the Mop Nozzle

- 5 Insert the left side of the brush 2 into the groove 3 inside the nozzle.

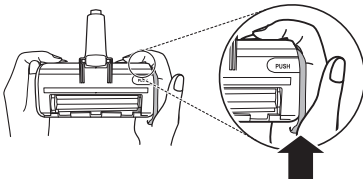


- 1 Press the nozzle release button to remove the mop nozzle from the extension pipe and turn the nozzle upside down.

- 2 Use a damp towel or cloth to remove any remaining foreign objects and dust from the bottom of the mop nozzle. Remove foreign objects, debris and hair from all Rollers of the nozzles using tweezers.



- 6 Press the cover of the brush to lock the brush until a clicking sound is heard.



Cleaning the Bedding Nozzle

- 1 Press the nozzle release button to remove the nozzle from the extension pipe or product body and turn the nozzle upside down.

TROUBLESHOOTING

Before Calling for Service

Operation

Symptoms	Possible Cause & Solution
The appliance does not operate.	Battery is fully discharged. <ul style="list-style-type: none"> Charge the battery.
	Appliance is turned off. <ul style="list-style-type: none"> Press the Power button to turn on the appliance.
Suction power is too weak.	Dust bin is full of dust. <ul style="list-style-type: none"> Empty the dust bin.
	Filters are clogged. <ul style="list-style-type: none"> Clean the pre-filter and the exhaust filter.
	Inlet is clogged. <ul style="list-style-type: none"> Remove any foreign objects from inside the product body or the extension pipe.
	Foreign object is on rotating brush, or in inlet port. <ul style="list-style-type: none"> Remove any foreign objects (thread, hair) from the rotating brush or the inlet port.
The product body does not appear to be charging.	Power cord is unplugged. <ul style="list-style-type: none"> Plug the power cord securely into the outlet
	Foreign object is on the charging terminals. <ul style="list-style-type: none"> Remove dirt or foreign objects from the charging terminals with a dry cloth.
Hot air is coming from the product body.	Motor is cooling. <ul style="list-style-type: none"> If the appliance is running normally, the hot air is a result of the motor cooling and is not a sign of malfunction.
The Kompressor lever does not return.	Foreign objects which become lodged in the cyclonic mesh filter may be difficult to dislodge with the Kompressor lever. <ul style="list-style-type: none"> Remove the cyclonic mesh filter and use the provided cleaning brush to clean it.

Symptoms	Possible Cause & Solution
A strange odour is coming from the appliance.	Appliance was purchased within the last 3 months. <ul style="list-style-type: none"> The cleaner may emit a smell of rubber for about 3 months after purchase.
	Dust bin is full of dust. <ul style="list-style-type: none"> The dust in the bin may cause some odour. Empty the bin and clean it.
	Foreign object is on the filter. <ul style="list-style-type: none"> The filter may emit an odour if it has not been cleaned for some time. Clean the pre-filter and exhaust filter regularly.
	Pre-filter, Fine dust filter or the Cyclonic Mesh Filter were installed while damp or wet. <ul style="list-style-type: none"> Wash the filters with running water. To avoid odour, allow the pre-filter to dry completely in a well-ventilated area out of direct sunlight for at least 24 hours before reassembling.
	Exhaust filter was installed while damp or wet. <ul style="list-style-type: none"> Wash the exhaust filter with running water. To avoid odour, allow the exhaust filter to dry completely in a well-ventilated area out of direct sunlight for at least 24 hours before reassembling.
The appliance makes too much noise.	Vacuum cleaner is running in Turbo mode. <ul style="list-style-type: none"> The motor may be louder at the higher suction power settings. This is normal.
The appliance turns off unexpectedly or by itself after the motor speed fluctuates repeatedly.	Battery is not fully charged. <ul style="list-style-type: none"> The battery must be fully charged before cleaning. If the problem persists when the battery is fully charged and the pipes and attachments are clear from obstructions, contact an LG customer information centre for service.
	Foreign object is in the product body, extension pipe, inlet port or nozzle. <ul style="list-style-type: none"> Remove any foreign objects from the product body, extension pipe, inlet port or nozzle.
	Filters are clogged. <ul style="list-style-type: none"> Clean the pre-filter and the exhaust filter.
The rotating brush does not rotate.	Brush is improperly installed. <ul style="list-style-type: none"> Remove the brush, clean it if necessary and attach it again.
	Foreign object is on rotating brush. <ul style="list-style-type: none"> Remove any foreign objects from the rotating brush.

Mop Nozzle

Symptoms	Possible Cause & Solution
The mop pad attachment plate does not rotate.	Mop pads are improperly installed. <ul style="list-style-type: none"> Remove the mop pads, clean them if necessary and attach them again.
	Mop nozzle is pressed too hard against the floor. <ul style="list-style-type: none"> The mop attachment plate stops automatically to protect the product. This is not a failure. Attach the mop pads securely to the mop attachment plate and press the power button to resume use.
	Foreign object is between mop attachment plate and mop pads. <ul style="list-style-type: none"> Remove foreign objects from the mop nozzle attachment plate and press the power button to resume use.
There is no water coming out of the mop nozzle.	Water tank is empty. <ul style="list-style-type: none"> Fill the water tank. Remove the battery or detach the nozzle before filling the water tank.
	Water tank is improperly attached to mop nozzle. <ul style="list-style-type: none"> Properly attach the water tank to the mop nozzle. Remove the battery or detach the nozzle before properly securing the water tank to the nozzle.
	Water supply adjustment button is set to STOP. <ul style="list-style-type: none"> Press the High or Low water adjustment button all the way down. The water will not come out if the button is set to STOP.
	The water outlet was clogged by hard water scale or other foreign substances. <ul style="list-style-type: none"> Use a sharp pin to remove the blockage.
There is moisture in the water tank.	Water tank is not allowed to dry completely after use. <ul style="list-style-type: none"> Empty the water tank, set it out of direct sunlight, and allow it to dry completely after use.
A strange odour is coming from the appliance.	Foreign object is on the dust inlet of the mop nozzle. <ul style="list-style-type: none"> Wet dust in the mop nozzle may result in odour. Make sure to wipe the dust inlet of the mop nozzle with a wet wipe after each use.
Using the mop nozzle makes the floor dirtier.	Mop pads are not cleaned properly after use. <ul style="list-style-type: none"> Clean the mop pads thoroughly after each use. Using soiled mop pads may make the floor dirtier.
The appliance makes too much noise.	This is the sound generated when the pump at the inlet of the mop is operating. <ul style="list-style-type: none"> This is normal.
	The mop pads were improperly attached on the plates. <ul style="list-style-type: none"> Align and attach the centre of the mop pad with the centre of the mop attachment plate.

Wi-Fi

Symptoms	Possible Cause & Solution
Your home appliance and smartphone are not connected to the Wi-Fi network.	Battery is fully discharged. <ul style="list-style-type: none"> • Charge the battery, then register your appliance on LG ThinQ.
	The password for the Wi-Fi that you are trying to connect to is incorrect. <ul style="list-style-type: none"> • Find the Wi-Fi network connected to your smartphone and remove it, then register your appliance on LG ThinQ.
	Mobile data for your smartphone is turned on. <ul style="list-style-type: none"> • Turn off the Mobile data of your smartphone and register the appliance using the Wi-Fi network.
	The wireless network name (SSID) is set incorrectly. <ul style="list-style-type: none"> • The wireless network name (SSID) should be a combination of English letters and numbers. (Do not use special characters.)
	The router frequency is not 2.4 GHz. <ul style="list-style-type: none"> • Only a 2.4 GHz router frequency is supported. Set the wireless router to 2.4 GHz and connect the appliance to the wireless router. To check the router frequency, check with your Internet service provider or the router manufacturer.
	The distance between the appliance and the router is too far. <ul style="list-style-type: none"> • If the distance between the appliance and the router is too far, the signal may be weak and the connection may not be configured correctly. Move the location of the router so that it is closer to the appliance.

Memo

Memo





OWNER'S MANUAL

AUTO EMPTY CHARGING STATION



Before beginning installation, read these instructions carefully. This will simplify installation and ensure that the product is installed correctly and safely. Leave these instructions near the product after installation for future reference.

ENGLISH

VDS-ST1AU



MFL71780904
Rev.01_060921

www.lg.com

Copyright © 2021 LG Electronics Inc. All Rights Reserved.

TABLE OF CONTENTS

This manual may contain images or content that may be different from the model you purchased.
This manual is subject to revision by the manufacturer.

SAFETY INSTRUCTION

READ ALL INSTRUCTIONS BEFORE USE..... 3
WARNING 3
CAUTION 9

INSTALLATION

Product Overview..... 12
Installing the Charging Station 14
Storing the Accessories 16

OPERATION

Charging the Battery 18
Getting Started 19

MAINTENANCE

Cleaning the Appliance 23

TROUBLESHOOTING

Before Calling for Service..... 27

SAFETY INSTRUCTION

READ ALL INSTRUCTIONS BEFORE USE

The following safety guidelines are intended to prevent unforeseen risks or damage from unsafe or incorrect operation of the appliance. The guidelines are separated into '**WARNING**' and '**CAUTION**' as described below.

Safety Messages



This symbol is displayed to indicate matters and operations that can cause risk. Read the part with this symbol carefully and follow the instructions in order to avoid risk.



WARNING

This indicates that the failure to follow the instructions can cause serious injury or death.



CAUTION

This indicates that the failure to follow the instructions can cause the minor injury or damage to the product.

WARNING

WARNING

- To reduce the risk of explosion, fire, death, electric shock, injury or scalding to persons when using this product, follow basic precautions, including the following:

Technical Safety

- This appliance is not intended for use by persons (including children) with reduced physical, sensory or mental capabilities, or lack of experience and knowledge, unless they have been given supervision or instruction concerning use of the appliance by a person

responsible for their safety. Children should be supervised to ensure that they do not play with the appliance.

- Do not allow the appliance to be used as a toy. Close attention is necessary when used by or near children.
- Do not allow children to play with or hang on the appliance.
- Do not use the appliance with damaged power cord or plug. The cord must be replaced. If the appliance is not working as it should, has been dropped, damaged, left outdoors, or dropped into water, return it to an LG Electronics service centre.
- Do not pull or carry by cord, use cord as a handle, close a door on cord, or pull cord around sharp edges or corners. Do not run appliance over cord. Keep cord away from heated surfaces.
- Do not unplug by pulling on cord. To unplug, grasp the plug, not the cord.
- Place the cords from other appliances out of the area to be cleaned.

Battery

- Never use the battery and the vacuum cleaner from other appliances with this appliance. Use only the battery and the vacuum cleaner provided by LG Electronics.
- Use appliances only with specifically designated battery packs. Use of any other battery packs may create a risk of injury and fire.
- Recharge only with the charger specified by the manufacturer. A charger that is suitable for one type of battery pack may create a risk of fire when used with another battery pack.
- Never use the battery and the charging station from this appliance with other appliances.
- Unplug the power cord and remove the battery if the appliance will not be used for an extended period of time.
- Do not use modified or damaged batteries.
- When disposing of the battery or the appliance, remove the battery from the appliance and safely dispose of it.

- Do not use a battery pack or appliance that is damaged or modified. Damaged or modified batteries may exhibit unpredictable behavior resulting in fire, explosion or risk of injury.
- Do not disassemble, remove or short-circuit the battery.
- Have the battery replaced when it is no longer able to hold a charge.
- Refer to the **Charging the Battery** section instructions for the method of replacing the battery.
- When disposing of this appliance, follow regulations for disposal of rechargeable lithium-ion batteries.
- Follow all local ordinances and regulations when handling or disposing of the battery.
- Disconnect the battery pack before cleaning or servicing.
- Prevent unintentional starting. Ensure the switch is in the off position before connecting to the battery pack, picking up or carrying the appliance. Carrying the appliance with your finger on the switch or energizing an appliance that has the switch on invites accidents.
- When the battery pack is not in use, keep it away from other metal objects, like paper clips, coins, keys, nails, screws or other small metal objects, that can make a connection from one terminal to another. Shorting the battery terminals together may cause burns or a fire.
- Under abusive conditions, liquid may be ejected from the battery. If this happens, avoid contact. If contact accidentally occurs, flush with water. If liquid contacts eyes, additionally seek medical help. Liquid ejected from the battery may cause irritation or burns.
- Do not modify or attempt to repair the appliance or the battery pack (as applicable) except as indicated in the instructions for use and care.

Installation

- To avoid an electrical shock or fire, do not install, charge or store the appliance where it may be exposed to water, rainfall or high humidity.
- Install, charge and store the appliance in a well-ventilated place.
- Avoid operating the appliance in areas where there is a risk of leakage of flammable gas, industrial oil or metallic dust.

- Do not store or install the appliance, power cord or plug near heating devices or open flames.
- Install the charging station on a firm, level surface.
- Install the device so that it does not tip over.
- To prevent tipping, self-standing mode installations should be anchored to the wall using the provided anchoring kit.
- Use the anchoring screws only when attaching to concrete or similar solid surfaces.
- Never drill into a wall without first checking that the area behind it is free from power conduits, plumbing, vents, or cables.
- Do not use or store the appliance at temperatures below 5°C or above 38°C.
- Do not store or install the appliance where it is exposed to temperatures below freezing or exposed to outdoor weather conditions.
- When installing or moving the appliance, be careful not to pinch, crush, or damage the power cord or plug.

Operation

- This appliance is exclusively for use with the LG Electronics CordZero A9 Vacuum Cleaner. Do not use it for other appliances or other purposes.
- Use only as described in this manual. Use only manufacturer's recommended attachment.
- This appliance is designed for normal indoor domestic use only. It is not to be used for any non-residential, commercial, or industrial application.
- Do not use or store the appliance in any outdoor location, garage environment or on wet surfaces.
- This product should only be used with a 220 - 240 V~ 50 Hz outlet. Make sure to check the power specifications of the place where you intend to use the appliance.

- Do not handle the power cord, plug, or appliance controls with wet hands.
- Wipe any moisture or dirt off the cord or plug with a dry cloth.
- Unplug the power cord using the plug, not the cord. Pulling on the cord can damage it and result in electric shock or fire.
- Never attempt to operate this appliance if it is damaged, malfunctioning, partially disassembled, or has missing or broken parts, including a damaged cord or plug. Take it to an authorized LG Electronics service centre or dealer for assistance.
- Do not apply excessive force to the power cord to bend it, or place it under a heavy object as this will damage it.
- Do not use multiple-outlet adapters with this appliance. Make sure to use a power socket with a capacity of 10 A.
- Do not plug the appliance into a damaged or loose outlet.
- Make sure to unplug the power cord when the appliance is not to be used for an extended period of time.
- Do not damage, alter, excessively bend, twist, pull, pinch or heat the power cord.
- Before using the appliance, remove any wire or string on the floor.
- Avoid touching the prongs of the power plug with your finger(s) when unplugging the power cord.
- Do not cover the power cord with a rug or carpeting.
- Push the power plug firmly into the wall outlet so that it is not loose.
- If the product has been submerged, contact an LG Electronics service centre or dealer for instructions before resuming use.
- If the product makes a strange noise or emits an odor or smoke, discontinue use and contact an LG Electronics customer information centre.
- Only qualified technicians or service personnel from LG Electronics may disassemble, repair or modify the appliance.
- Never insert a sharp metal object such as a pin, nail or knife in a hole or gap in the appliance or the charging station.

- Make sure that no water, beverage or detergent gets inside the appliance or the charging station.
- Do not allow children to use the appliance.
- Do not let children or pets get close to the appliance when using, charging or storing.
- Keep clothing and hair, fingers, or other parts of the body away from openings and moving parts.
- Do not use in an enclosed space where vapors are present from paint thinner, mothproofing substances, flammable dust or other explosive or toxic materials.
- Make sure that the filter is installed before use.
- Do not touch the charging terminals on the appliance or the charging station, or insert an electrified object inside the appliance or the station.
- Do not lean the appliance on walls, chairs or tables.
- If the earth leakage breaker is tripped when the product is put on the charging station, immediately remove the appliance from the charging station. Contact an LG Electronics customer service centre.
- Do not use or store a heating device or flammable substance (ether, benzene, alcohol, chemicals, combustible sprays, insecticide, air freshener or cosmetics) in close proximity to the appliance.
- Do not attempt to clean up a liquid substance (water, beverage), odorous substances (candy, chocolate, pet excrement), metal objects (blades, pins), flammable substances, surfactants, or glass shards with this appliance.
- In the event of a gas leak (natural gas, propane gas, etc.) do not operate this or any other appliance. Open a window or door to ventilate the area immediately.
- Do not hold the charging station upside down with the battery in the charging station.
- Do not expose the appliance, and the battery in particular, to heat, a heating device or direct sunlight.
- Do not keep the appliance or its battery inside a vehicle which is exposed to direct sunlight.

- Never allow any water, beverage or detergent to get inside the battery.
- Do not apply physical impacts to the battery.
- Do not use the appliance without the dust bin and filters in place.

Maintenance

- Make sure to unplug the power cord when cleaning or maintaining the charging station.
- Do not spray or use water, inflammable materials such as gasoline or thinners, or surfactants such as detergent or bath soap near the appliance.

Disposal

- Keep packing materials out of the reach of children. Packaging materials can pose a suffocation risk for children.
- Destroy the carton, plastic bag, and other packing materials after the appliance is unpacked. Children might use them for play. Cartons covered with rugs, bedspreads, or plastic sheets can become airtight chambers.
- Dispose of this appliance according to local, state, and regional laws and regulations.
- Contact your local city council or the related government authority before disposing of this appliance.

CAUTION

CAUTION

- To reduce the risk of injury to persons, malfunction, or damage to the product or property when using the appliance, follow basic safety precautions, including the following:

Operation

- Do not open the door of the product using excessive force.

- Do not carry the product with the Vacuum Cleaner, nozzles, or accessories inside; it may cause injury or product damage.
- When opening and closing the product door or control panel, be careful not to get your fingers caught.
- Remove all the protective plastic from the Vacuum Cleaner before use. Otherwise, it may cause abnormal noise during the dust emptying operation.
- Keep the area around the charging station clean. A strong airstream can be emitted from the exhaust on the back of the product, causing dust to accumulate on the floor.
- This appliance has a built-in safety device to prevent damage from overheating. If the appliance becomes overheated after extended use, it may automatically turn off. If this occurs, leave the appliance in a cool, well-ventilated area for about an hour before turning on the power again.
- Do not subject the product to shocks or drop it.
- Do not install wet or damp filters.
- Do not clean the product with a volatile or organic solvent (thinner or acetone).
- Always use a soft cloth to clean the appliance.
- Remain aware of your surroundings while using the appliance to avoid colliding with people or animals.
- Do not kick or apply force to the appliance.
- Do not put any object other than the appliance, especially a metallic or magnetic object, on the charging station.
- Keep fingers away from pinch points when assembling the appliance or the charging station.
- Do not let a child or a pet hang onto the charging station.
- Follow all applicable state and local codes and regulations when installing the mounting station.
- Do not use the double-sided tape to anchor the charging station on wallpaper. Use the provided screws to anchor the charging station. The weight of the charging station and the appliance could damage the paper.

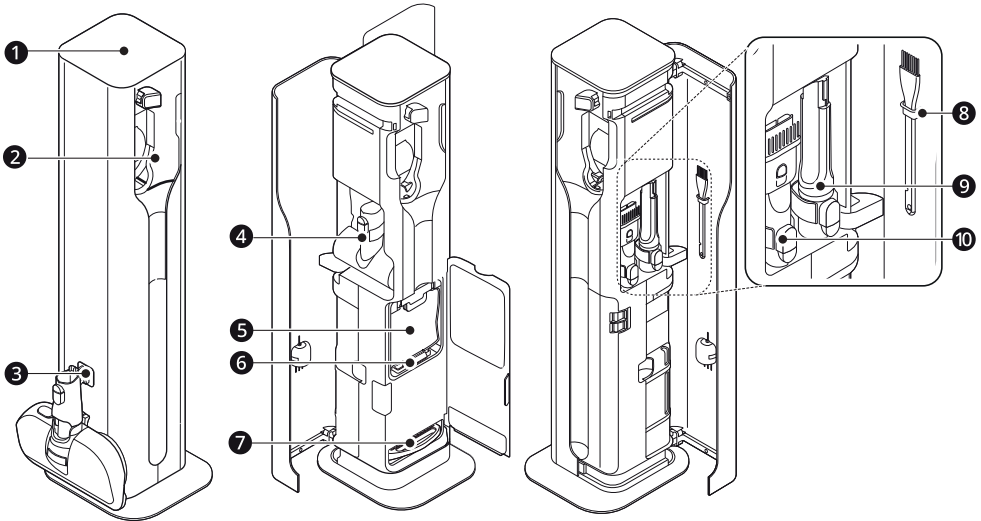
- Do not remove the battery during operation.

INSTALLATION

Product Overview

The images in this guide may be different from the actual components and accessories, which are subject to change by the manufacturer without prior notice for product improvement purposes.

Front View



List	Part Name	List	Part Name
①	Control Panel	⑥	Motor Protection Filter (Expendable)
②	Vacuum Cleaner Mounting Unit	⑦	Exhaust Filter (Expendable)
③	Nozzle Hook*1	⑧	Cleaning Brush
④	Bedding Nozzle or Pet Nozzle	⑨	Crevice Tool
⑤	Dust Bag (Expendable)	⑩	Combination Tool

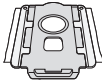
*1 There is also a nozzle hook on the right.

NOTE

- Use the charging station only with the provided vacuum cleaner. Using a vacuum cleaner other than the one designed to be used with the charging station, as improper sealing of the products may result and dust not being emptied from vacuum cleaner.

Accessories

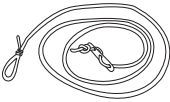
Included Accessories



1

- 1 Dust Bag (Expendable)

Installation Kit



1



2



3



4



5

- 1 String (Including the slide and loop)
- 2 Fixing Rack (2EA)
- 3 Wall Fixing Screw
- 4 Wall Fixing Anchor
- 5 Product Fixing Screw

NOTE

- The dust bag exhaust filter and the motor protection filter will eventually need to be replaced. Contact an LG Electronics customer service center.

Specifications

Appliance

Model	VDS-ST1*****
Dimensions (Width X Depth X Height)	255 mm X 297 mm x 1009 mm
Weight	Approximately 10.1 kg
Power Consumption	1700 W (Cleaning) 0.4 A (Charging)
Input	220 - 240 V~ 50 Hz
Output	DC 28.3 V / 1.15 A

Battery

One or two batteries are provided. The number of batteries varies depending on the model purchased.

Model	EAC633822**
Voltage	DC 25.2 V
Capacity	2400 mA

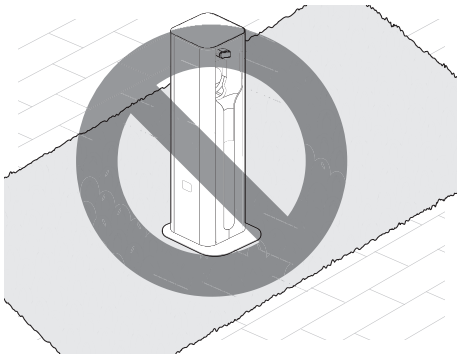
Installing the Charging Station

Installation

Follow the steps below to install the charging station on a hard and level floor.

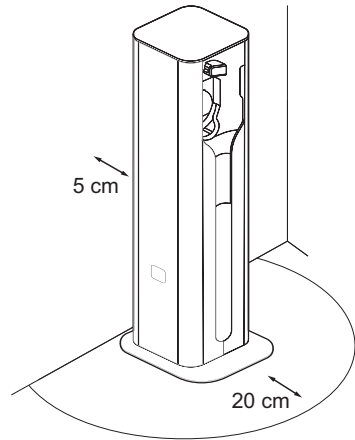
⚠ CAUTION

- Do not install on carpeted floors or rugs. The product may fall, causing injury or damage.



- 1 Place the product on a flat, hard surface.
 - During installation, allow 5cm clearance in the the rear and a radius of 20cm to the front & sides to be able to open both doors of the product.

- When storing with the mop nozzle, install the product further away from the wall.



- 2 Using the anti-tip kit, fix the product firmly to the wall.
 - You may need to seek professional help to assist with securing product to wall using anti-tip kit.
- 3 Plug the power plug into the outlet.
 - When the power plug is connected correctly, the status display flashes, and the product setting is initialized. Once initialization is completed, the status display turns off.
 - Use a velcro tie to bind and tidy the excess cable.

Anti-tip Kit Installation

Anti-tip kit is intended to secure the product to the wall firmly in order to prevent the product from falling over or tipping, which may lead to personal injury, or product or floor damage. Install and use the kit in the following manner.

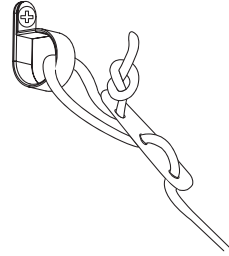
⚠ WARNING

- Carefully read and follow the guidelines in order to prevent property damage or personal injury.
- Do not lean against the product or place a heavy object on top of it.

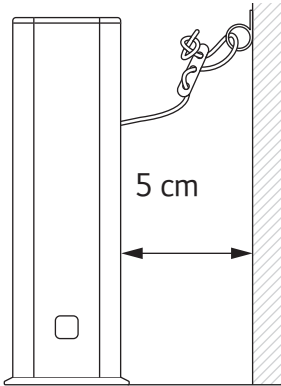
- Manage and supervise children or pet animals to prevent them from bumping into product and falling, or clinging to the product.
- If you prefer not to install this kit immediately, ensure that you keep it out of the reach of children as this may pose a choking hazard.
- Do not use this kit for purposes other than the installation of the charging station.
- When drilling holes for mounting of anti-tip kit, use caution and wear gloves, protective clothing & protective goggles to prevent personal injury.
- If there is a pipe (gas pipe, water pipe, pneumatic pipe, etc.), an electric cable or an electric wire behind the wall, do not install the product on that wall.

the fixing rack to the wall firmly using the wall fixing screw.

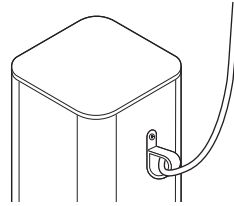
- 4 Insert the nearest string into the slide knot and form a loop as shown in the figure. Insert the fixing rack into the loop and insert the product fixing screw into the fixing rack screw hole.



- 1 Before moving the product to its final position, decide on a proper position for installing the wall fixing anchor
 - Install the wall fixing anchor and the fixing rack directly behind the product.



- 5 Align the screw hole on the fixing rack with the hole at the back of the product and fix the fixing rack to the product firmly by fastening the product fixing screw.

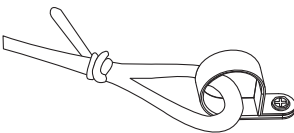


- 6 Adjust the length of the string on the slide by pulling it in accordance with the gap between the wall and the product.

⚠ CAUTION

- Do not tighten the wall fixing screw excessively. Doing so may cause the wall fixing to become loose and the product to fall, resulting in personal injury or product damage.
- Use the fixing rack only if the wall is a concrete or solid wall. If the wall is not solid and the product falls, personal injury or product damage may result.
- Do not insert the fixing rack into the loop in the middle. Doing so may cause the slide to slip after the product falls, resulting in personal injury or product damage.

- 2 Insert the fixing rack into the loop at the end of the string and insert the provided wall fixing screw into the fixing rack screw hole.



- 3 Drill a 4 mm wide and 44.5 mm deep hole at the selected position on the concrete wall and insert the wall fixing anchor into the hole. Fix

⚠ CAUTION

- If the distance between the wall and the product is too great, the product may fall.

Storing the Accessories

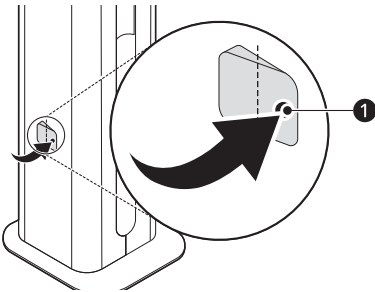
Storing the Tools

Use the product to store the inlet and components provided with the vacuum cleaner.

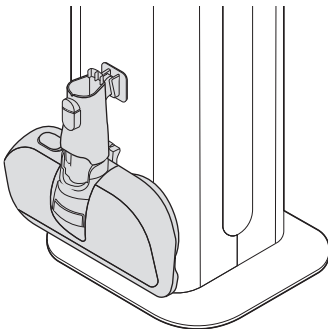
The components may differ depending on the vacuum cleaner model.

Storing on Sides

- 1 Open the nozzle hook ① on both sides of the product.
 - To open the nozzle hooks, press on the right side. Be careful not to pinch fingers when opening.

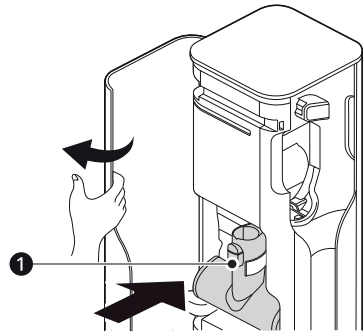


- 2 Hang the nozzle on the nozzle hook.

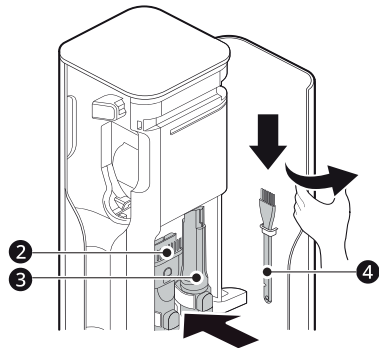


Storage Inside

- 1 Open the left door of the product and insert the bedding nozzle or the pet nozzle ① for storage.



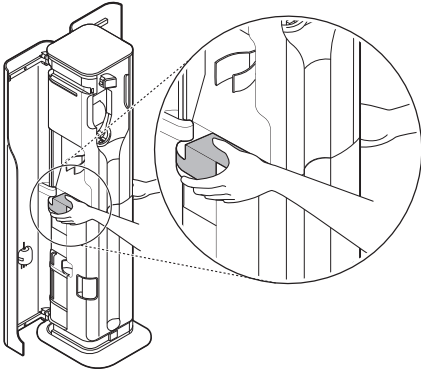
- 2 Open the right door and insert the combination tool ②, the crevice tool ③ and the cleaning brush ④ for storage.



NOTE

- Before moving the product, unplug it and remove the vacuum cleaner, nozzles, and accessories.

- To carry the product, open both doors and hold the areas shown.



OPERATION

Charging the Battery

Before Charging the Battery

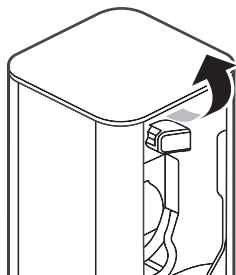
- Make sure that the adapter is connected to both the charging station and the power outlet.
- Fully charging a single battery usually takes 4 hours. It will take twice as long to charge both the main and spare batteries.
- The battery will not be charged if the indoor temperature is below 5 °C. Only charge the battery when indoor temperatures are between 5 °C and 38 °C.
- The battery will eventually need to be replaced. Due to the battery characteristics, runtime is shortened after using the appliance repeatedly for an extended period.
- The last bar on the battery indicator begins to flash when the battery needs to be recharged. Use the appliance with a fully charged battery.
- To maintain battery life on dual-battery models, swap the positions of the two batteries periodically, between the main body and the spare charging station.

Charging the Spare Battery

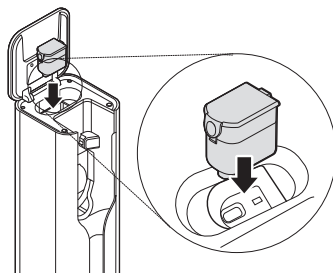
After the vacuum cleaner has finished charging, the spare battery will start charging.

One or two batteries are provided. The number of batteries varies depending on the model purchased.

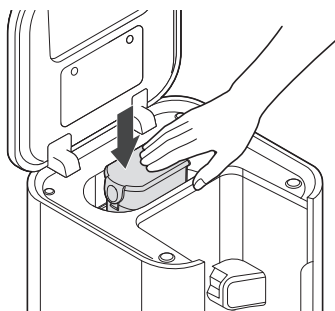
- 1 Lift the front of the control panel located at the top of the charging station.



- 2 To insert, align the battery with the outline of the battery charger.



- 3 Press the battery down into the compartment.



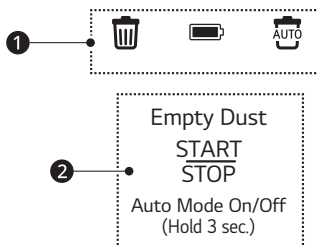
NOTE

- The spare battery icon (🔋) in the status display flashes during charging and remains on when charging is complete.
- Insert the spare battery completely. If the spare battery is inserted correctly, the spare battery icon (🔋) flashes.

Getting Started

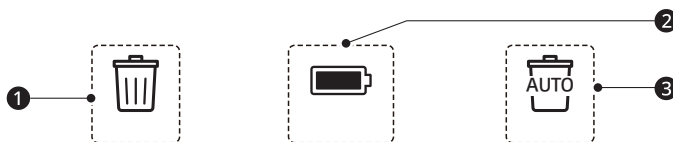
Control Panel Features

Control Panel



	List	Descriptions
①	Status Display	The display shows the dust emptying operation status or when to replace the dust bag, charging status of the spare battery, and dust emptying mode.
②	Start	<p>Press the Start/Stop button once to start the dust emptying operation.</p> <ul style="list-style-type: none"> With the Start/Stop button is selected, a melody plays. When the vacuum cleaner is mounted in the emptying station, the dust bin cover opens automatically and the dust emptying operation begins. When you purchase the product, the manual dust emptying mode is set by default.
	Stop	<p>Press the Start/Stop button once to cancel or pause the dust emptying operation.</p> <ul style="list-style-type: none"> Dust emptying operates in 3 stages, and its function is different for each stage (preparation ~ dust emptying ~ finishing). <ul style="list-style-type: none"> Pressing the Start/Stop button in the Preparation Stage (mounting the body of the vacuum cleaner): The dust emptying operation is canceled and the product returns to the charging status. Pressing the Start/Stop button in the Dust Emptying Stage (the dust bin cover opens automatically, and the dust emptying operation begins): The dust emptying (replace bag) indicator flashes white along with emitting a beeping sound, and the dust emptying operation is paused. <p>Repress the Start/Stop button to start additional dust emptying operation.</p> Pressing the Start/Stop button in the Finishing Stage (the dust bin cover closes automatically, the body of the vacuum cleaner is released): Pressing the Start/Stop button does not work
	Change Dust Emptying Mode	Press and hold the Start/Stop button for at least 3 seconds to switch between automatic or manual dust emptying mode.

Status Display



	List	Descriptions
①	Dust Emptying (Replace Bag) Indicator	<ul style="list-style-type: none"> Indicates the dust emptying operation status or when to replace the dust bag. <ul style="list-style-type: none"> White: Product is emptying dust. Flashing red: If the indicator flashes red while emptying dust, this indicates dust bag requires replacement. At the end of dust emptying operation, replace dust bag. Flashing red, beeping: If the dusty emptying operation is complete and the dust bag is full, the indicator will flash red, beep 10 times and then turn off. If the indicator flashes red, replace the dust bag to maintain product performance.
②	Spare Battery Indicator	<ul style="list-style-type: none"> Indicates the charging status of the spare battery. <ul style="list-style-type: none"> Flashes: When the spare battery is mounted in the charger. On (steady): Spare battery charging is complete. The spare battery will not charge until the battery mounted in the vacuum cleaner is fully charged. Check the battery level on the handle of the vacuum cleaner to check whether charging is complete.
③	Auto Emptying Indicator	<ul style="list-style-type: none"> Lights to indicate that the automatic dust emptying mode is on. <ul style="list-style-type: none"> Automatic dust emptying mode automatically starts the operation every time the vacuum cleaner is mounted correctly onto the product. If you remove the vacuum cleaner and mount it immediately, dust emptying operation may not start automatically, depending on the circumstance. If it doesn't start automatically, select the Start/Stop button to start.

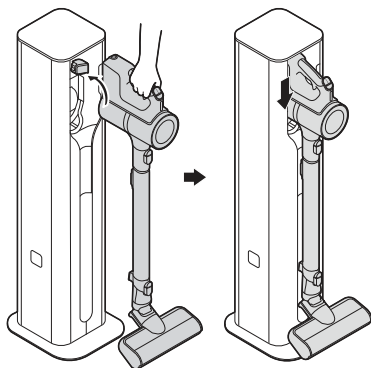
NOTE

- Remove all the protective plastic from the vacuum cleaner before use. Otherwise, it may cause abnormal noise during the dust emptying operation.

Using the Product

Using the Manual Mode

- 1 Insert the vacuum cleaner into the product.
 - After adjusting the length adjustment pipe of the vacuum cleaner to the shortest length, attach it to the product.
 - If vacuum cleaner pipe is connected to a combination tool or crevice tool, the vacuum cleaner will not fit inside the emptying station. Mount vacuum cleaner to emptying station with combination tool or crevice tool attached.
 - If the vacuum cleaner fits properly inside the product, the alarm will sound. If the alarm does not sound, reinsert the vacuum cleaner.
 - Before starting the dust emptying operation, pull the easy dust emptying lever on the vacuum cleaner down 2 or 3 times to sweep away the dust to make the operation easier.



- 2 Press the **Start/Stop** button. The dust emptying (replace bag) icon flashes white, and the dust emptying operation begins along with a melody.
- 3 When the dust emptying operation is complete, a melody sounds, the dust emptying (replace bag) icon turns off, and the vacuum cleaner starts charging.

Using the Auto Mode

When the automatic dust emptying mode is set, the dust emptying operation starts automatically whenever the vacuum cleaner is properly inserted into the product.

- 1 Press and hold **Start/Stop** for 3 seconds to change from the Manual mode to the Auto mode.
- 2 Insert the vacuum cleaner into the product.
- 3 When the dust emptying operation is complete, a melody sounds, the dust emptying (replace bag) icon turns off, and the vacuum cleaner starts charging.

⚠ WARNING

- Do not wash the vacuum cleaner body or the inlet with water. If water enters the built-in motor, it can cause electric shock or fire.

⚠ CAUTION

- Do not forcibly remove the vacuum cleaner during the dust emptying operation or when it is paused. Since the vacuum cleaner is mounted, the product may break or fall, causing injury or product damage.
 - Remove the vacuum cleaner after the dust emptying (replace bag) icon in the status display is turned off completely.
- Do not put foreign objects such as hands, garbage, toys in the dust suction area of the product without a vacuum cleaner mounted.
- Do not push, pull, or lean on the product; it may fall, causing injury or damage.
- Do not put objects like smartphones on the product's control panel. The product may malfunction due to vibration, or the object may fall to the floor, causing injury or damage.
- If the power suddenly turns off during the dust emptying operation, you will be unable to remove vacuum cleaner from emptying station. Causes for power loss include a power outage, a turned off power strip, an unplugged power cord, and a tripped circuit breaker.

CAUTION

- Once power is restored, product will reset and then product can be removed from emptying station.
-

NOTE

- The sound of the high-performance motor may be louder than the existing wireless vacuum cleaner. It is normal to hear sounds such as the vacuum cleaner, dust bin cover opening, product operating unit, and suction.
 - During the vacuum cleaner dust emptying operation, a stronger suction force is applied just before the dust emptying operation finishes. The sound may increase, however this is normal and does not indicate a fault.
 - During the dust emptying operation, the product and spare battery are not charged for safety reasons.
 - Replace the dust bag every 3 months to maintain the dust emptying performance. The frequency of replacing dust bag may vary depending on the environment.
 - The dust bin may not be emptied completely under certain conditions (very full, contains long hairs, etc.). If this happens, press **Start/Stop** to repeat the emptying process.
 - Clean the dust bin's inside, the easy dust emptying lever and the large dust separator to remove remaining dust. For more information, see the vacuum cleaner owner's manual.
 - The AUTO dust emptying function may not be able to remove dust and debris from the cleaner's canister if the Kompressor lever function has been used repeatedly. A build-up of compressed dust and debris within the canister from using the Kompressor lever repeatedly, will need to be removed by hand after using the AUTO function.
-

MAINTENANCE

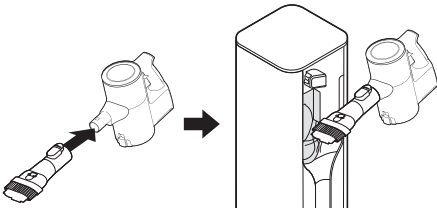
Cleaning the Appliance

Cleaning the Product Body

- 1 Disconnect the power plug from the outlet.
- 2 Wipe the control panel using a soft cloth.
 - Product may malfunction if there is dust on the control panel.

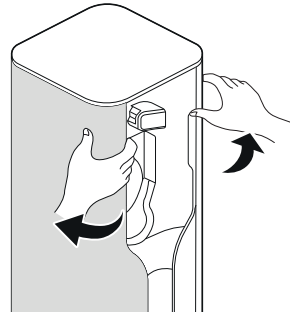


- 3 Clean the dust around the dust suction area using a vacuum cleaner.

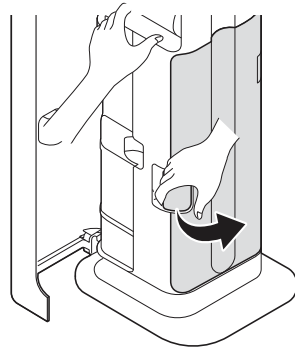


Changing the Dust Bag

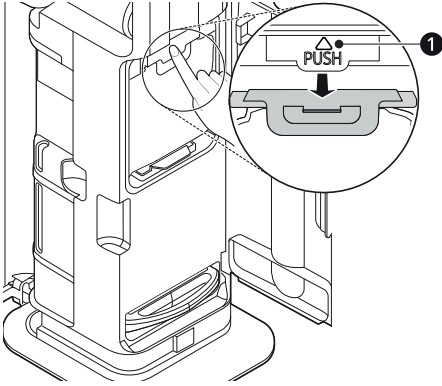
- 1 Open the left and right doors of the component storage.



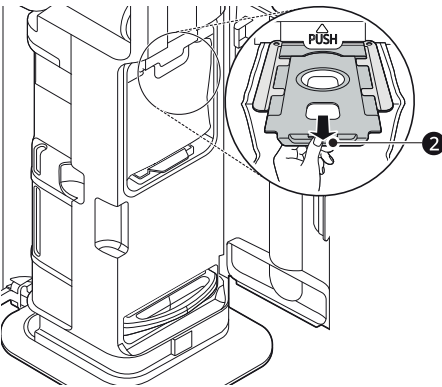
- 2 Hold the product with one hand and open the dust bag door with the other hand.



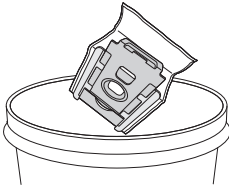
- 3** Press ▲ button ① above the **PUSH** label with one hand. The dust bag is released.



- 4** Pull out the dust bag lever ② to remove the dust bag.
- As the dust bag is pulled out, the top opening is closed.

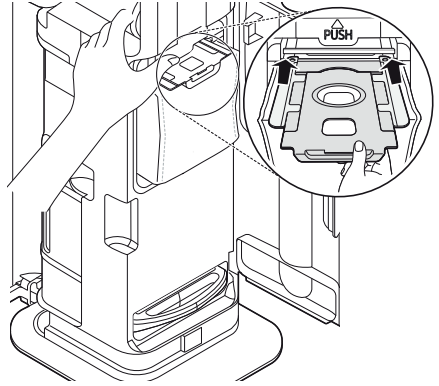


- 5** Throw away the dust bag.

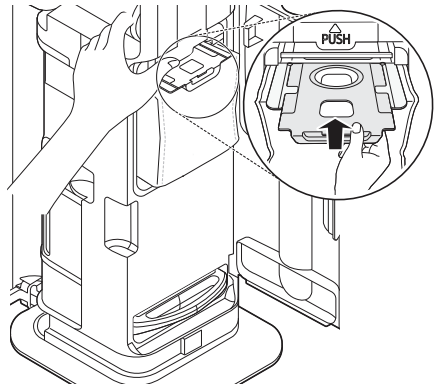


- 6** Prepare a new dust bag.
- To avoid odors, do not reuse the dust bags.

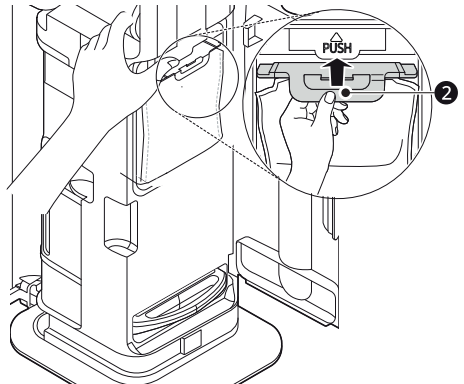
- 7** Place the end of the dust bag on the rail inside the product.



- 8** Slide the dust bag in along the rails of the product until it is completely inserted.



- 9** Grab the dust bag lever ② and push it up until you hear a "click" sound.



NOTE

- The dust bag door will not close without a dust bag. Discard the dust bag and be sure to put a new dust bag in place.
- Replace the dust bag once every 3 months. The replacement cycle may vary depending on the environment.
- Replace the dust bag if it smells, even if it is not full.
- The motor protection filter will eventually need to be replaced. Contact an LG Electronics customer service centre.

Cleaning the Filters

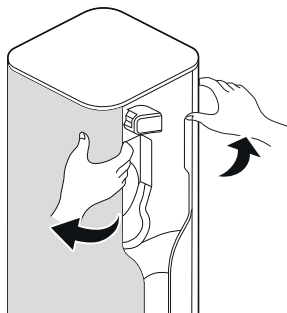
Clean the motor protection filter and the exhaust filter every 3 months or sooner if the dust emptying function seems weaker.

- Clean the filters more frequently if the appliance is used regularly or in areas with a lot of dust.

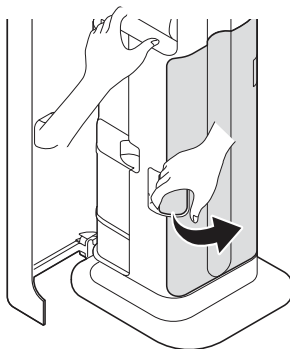
⚠ CAUTION

- Do not use the appliance without the exhaust filter and the motor protection filter installed. Doing so could result in product damage.

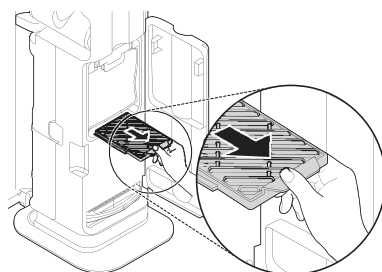
- 1** Open the left and right component storage doors.



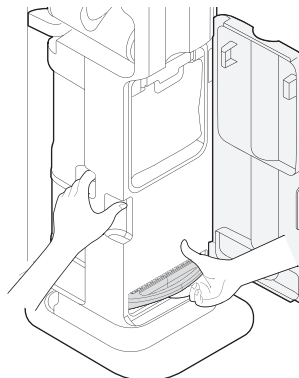
- 2** Hold the product with one hand and open the dust bag door with the other hand.



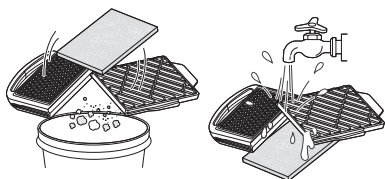
- 3** Hold the product with one hand and take out the motor protection filter with the other hand.



- 4** To remove the exhaust filter, hold the bottom of the product and pull the handle end of the filter.



- 5** Remove dust from the motor protection filter and exhaust filter once every 3 months and wash it using room temperature water.



- To avoid odor and the malfunction of the motor, allow the motor protection filter and the exhaust filter to dry completely in a well-ventilated area out of direct sunlight for at least 24 hours before reassembling.

- 6** Push the motor protection filter and exhaust filter back into their original positions.
- Make sure that the filters are in place before using the product.

TROUBLESHOOTING

Before Calling for Service

Operation

Symptoms	Possible Cause & Solution
Dust emptying doesn't work.	The power plug is not connected. <ul style="list-style-type: none"> • Connect the power plug to an outlet.
	The Vacuum Cleaner is not properly inserted into the product. <ul style="list-style-type: none"> • Remove the Vacuum Cleaner and reinsert it. If it is installed properly, a beep will sound.
	Dust emptying operation is stopped. <ul style="list-style-type: none"> • When the Dust Emptying Start/Stop button is pressed, the dust emptying operation starts from the beginning.
	It is set to automatic or manual dust emptying mode. <ul style="list-style-type: none"> • When you purchase the product, the manual dust emptying mode is set by default. After inserting the Vacuum Cleaner into the product, pressing the Dust Emptying Start/Stop button starts the dust emptying operation. • When it is in automatic dust emptying mode, the dust emptying operation starts automatically whenever the vacuum cleaner is properly inserted into the product.
Product setting initialization doesn't work even after the power plug is plugged in again.	The internal motor of the product is not operating properly . <ul style="list-style-type: none"> • Disconnect the power plug from the outlet and contact an LG Electronics Service Centre.
The power supply has been cut off.	The power supply has been cut off. <ul style="list-style-type: none"> • Check whether the power plug is connected correctly to the outlet. • If using a multi-outlet strip, make sure the strip is turned on. • Check if the breaker is tripped or there is a power outage.

Symptoms	Possible Cause & Solution
It won't charge.	It is not plugged in. <ul style="list-style-type: none"> • Plug it into an outlet.
	There is a foreign object on the charging terminals. <ul style="list-style-type: none"> • After unplugging from the outlet, wipe off any foreign matter from the charging terminal with a dry cloth.
	The room temperature was 5 °C or less during charging. <ul style="list-style-type: none"> • Charging may not work if the temperature where you are charging is 5 °C or less. Before use, fully charge the vacuum cleaner at a temperature above 5 °C.
	The vacuum cleaner is not properly inserted into the product. <ul style="list-style-type: none"> • When the vacuum cleaner is properly inserted into the product, a beep sounds. If the beep does not sound, reinsert the vacuum cleaner.
	The auxiliary battery is not properly inserted into the product. <ul style="list-style-type: none"> • Push in the auxiliary battery all the way. When the auxiliary battery is properly inserted, the auxiliary battery icon flashes.
The product has a strange smell.	The product is purchased within 3 months. <ul style="list-style-type: none"> • The odors from manufacturing the product should be gone within 3 months.
	The Vacuum Cleaner smells. <ul style="list-style-type: none"> • After cleaning with the mop nozzle, the wet dust may emit an odor. After finishing cleaning, remove the damp dust from the mop nozzle before storing the vacuum. • The pre-filter, exhaust filter, or large dust separator may smell after washing if it isn't dried completely. After washing with water, dry them thoroughly in well-ventilated shade for at least 24 hours before using them again.
	The dust bag smells. <ul style="list-style-type: none"> • If you clean foreign matter that smells (such as pet excrement) with an vacuum cleaner, the vacuum may smell even if you do not have a full dust bag. Replace the new dust bag even if it isn't full. • If you have not replaced the dust bag for a long time, it may smell. Replace it with a new dust bag even if it isn't full.
Two icons [dust emptying (replace bag) and auxiliary battery] flash simultaneously.	The motor that holds the Vacuum Cleaner isn't working properly. <ul style="list-style-type: none"> • Disconnect the power plug from the outlet and contact an LG Electronics Service Centre.
	The motor that opens and closes the Vacuum Cleaner dust bin cover isn't working properly. <ul style="list-style-type: none"> • Disconnect the power plug from the outlet and contact an LG Electronics Service Centre.

Symptoms	Possible Cause & Solution
Two icons (auxiliary battery and auto emptying) flash simultaneously.	The motor that presses the Vacuum Cleaner dust bin cover separation button isn't working properly. <ul style="list-style-type: none">• Disconnect the power plug from the outlet and contact an LG Electronics Service Centre.
During the dust emptying operation, the dust emptying notification flashes red.	The dust bag is full. <ul style="list-style-type: none">• Throw away the used dust bag and replace it with a new dust bag.
The dust emptying notification flashes red for about 10 seconds, and a beep sounds.	The dust bag is full. <ul style="list-style-type: none">• Throw away the used dust bag and replace it with a new dust bag.

Memo

Memo

