

Product Preview

MoodUP™
GF-MV600



Life's Good.

MoodUP™ GF-MV600 Features

Panels Turned On



Colour Changeable Door Panels
Controlled through the LG ThinQ App

InstaView®

Door Cooling+

Inverter Linear
Compressor

Built-in
Bluetooth
Speaker

MoodUP™ GF-MV600 Dimensions

Panels Turned Off



Product

Height: 1865mm

Width: 914mm

Depth: 687mm (inc. Door) 679mm (exc. Door)

Weight: 158kg

Packaging

H x W x D: 1905mm x 960mm x 750mm

Weight: 168kg

617L Total

384L Fridge
233L Freezer

4 Star
450kWh



Knock
Knock



InstaView®

With two quick knocks on the sleek glass panel, see inside and check for your everyday items, favourite snacks and beverages without opening the door, preventing cold air from escaping and keeping food fresher for longer.



SurroundCooling™

Cold air surrounds your food from both the front and back for effective cooling - quickly reducing the temperature of those items stored at the front of the fridge, and helping keep food fresher for longer.



Retractable Shelf

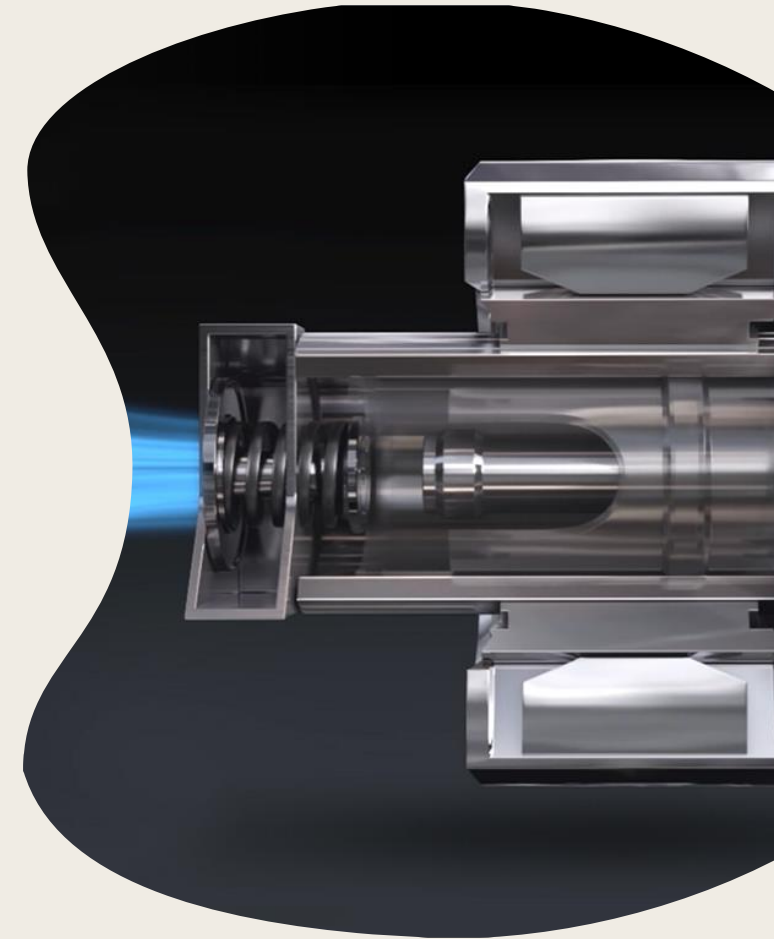
Tall bottles and jugs? No problem. Simply slide the retractable shelf back to make way to fit it all in.

Extra Space Compartments

Smart storage drawers built-in
Clever storage build into the fridge floor, provides additional space for convenient access to small items such as chocolate, eggs or cheese.

Inverter Linear Compressor

With low vibration and minimal moving parts the LG Inverter Linear Compressor is quiet and durable. As the heart of your refrigerator we back the Inverter Linear Compressor with a 10 year parts warranty.*

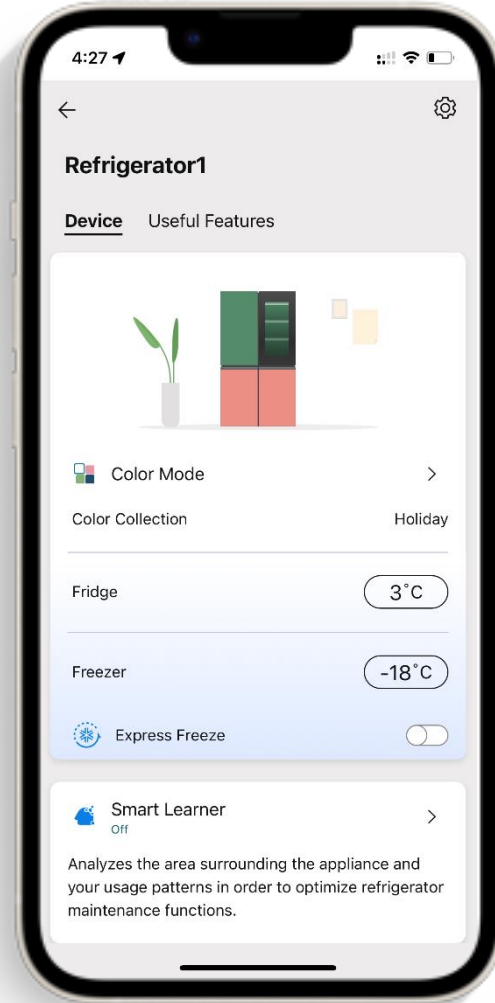


*2 Years parts and labour on the product + 3 years on sealed refrigeration system (compressor, evaporator, dryer and tubing) parts only + 5 years on compressor (part only).



ThinQ App

Control the light up door panels and set the mood with the LG ThinQ app.



MoodUP Colour Collection



My Collection

Select the color to each door panel.
You can make 174,724 combinations.

ex)



Select a refrigerator door and then select the desired color.

Theme

My Collection

Objet Collection

My Collection



Theme Collection

Select the pre-set theme color.
There are 17 themes.

ex)



The primary color of the selected theme image is automatically applied.

Theme

My Collection

Season

Place

Healing

Pop



Dawn



Sunset



Rain



Bonfire



Holiday

Colour Palette

Select the color to each door panel. You can make 174,724 combinations.

Upper

17 colors

Breeze Green	Ocean Blue	Autumn Red	Nordic Gray	Dawn Orange
Sunset Brown	Flame Red	Pine Green	Greek Blue	Tropical Blue
Cherry Pink	Ice Blue	Sunset Blue	Pop Red	Pop Pink
Pop Blue	Rain Black			

Upper

5 colors

Green	Redwood	Clay Brown	Clay Mint	Clay Pink

My Collection

Lower

17 colors

Breeze Yellow	Sky Blue	Autumn Yellow	Nordic White	Dawn Blue
Sunset Yellow	Flame Yellow	Rudolph Red	Greek White	Tropical Sand
Cherry Lavender	Ice Mint	Sunset Red	Pop Lemon	Pop Green
Pop Purple	Rain White			

Objet Collection

Lower

2 colors

Cream White	Mist Beige



Theme Collection

Select a pre designed theme based on your mood at that time.

17 Total



Upper

Lower

Season

Season & Trend



Spring



Summer



Fall



Winter



Place

Travel in the house



Alaska



Kyoto



Paris



Santorini



Waikiki



Mood

Special Mood
(Accompanied by
Music)



Dawn



Sunset



Rain



Bonfire



Holiday



Pop

Young Generation



POP1



POP2



POP3





Add Mood with Music

A speaker built into the top of the fridge allows music to be played. Play pre-installed music or sounds to accompany “Theme” or it could be music from your own Bluetooth connected device.

There are two “Party Modes”, Bounce & Flow, where the MoodUP panels will interact with the audio playing through the speaker.

E.O.D

Document Prepared by
Christian Frykberg
National In Store Sell Out Manager
0437 266 930
christian.frykberg@lge.com