












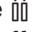


Operating and Installation Instructions Fridge-freezer Combination



To prevent accidents and machine damage, read these instructions **before** installation or use.

Contents

IMPORTANT SAFETY INSTRUCTIONS	6
Caring for the environment	14
Installation	15
Installation location	15
Climate class	15
Installation notes	16
Adjoining cabinetry/units.....	16
Load-bearing capacity of the niche floor	17
Ventilation.....	17
Side-by-side	18
Specifications for the plumbed water connection.....	20
Installation dimensions.....	21
Dimensions when the appliance door is open (opening angle 90°/115°).....	23
Dimensions of the cabinet front	24
Building in the appliance	25
Before starting.....	25
Tools required	26
Weight of cabinet fronts	26
Aligning the installation niche.....	27
Checking the installation space	27
Before installation.....	28
Preparing the installation niche	29
Pushing the appliance into the niche	32
Aligning the refrigeration appliance.....	33
Securing the appliance in the niche	36
Preparing the cabinet fronts.....	38
Securing and aligning the cabinet fronts.....	40
Securing the covers	45
Securing the toe-kick ventilation grille and toe-kick cover	47
Limiting the opening angle of the appliance doors	48
Water connection	49
Information on the fresh water connection	49
Installing the water hose to the appliance.....	50
Electrical connection.....	51
Saving energy	53
Guide to the appliance	55
Main screen	57
Settings mode 	58

Accessories	60
Accessories supplied	60
Optional accessories.....	61
Before first use	62
Opening and closing the Fridge Zone door.....	62
Choosing the right Door Assistant (Push2Open/Pull2Open)	62
Adhering labels for the MasterFresh zone.....	62
Inserting the Active AirClean filters	64
Operating the refrigeration appliance.....	64
Starting up for the first time	64
Switching on and off	66
Turning off for longer periods of time	67
Selecting additional settings	68
Switching Keypad Lock  /  on or off	68
Switching Eco Mode  on or off.....	69
Performing a Self Test 	70
Switching Condensation Protection  on and off	71
Switching on the Door Assistant 	71
Switching off the Door Assistant 	73
Miele@home.....	73
Switching off Demo Mode 	77
Resetting the settings to their default settings 	78
Switching Vacation mode  on or off.....	81
Switching Sabbath Mode  on or off	82
Switching on, switching off or resetting Water Filter Display 	83
Switching on, switching off, or resetting the Display Active AirClean Filter  ...	85
The correct temperature	87
... in the Fridge Zone and in the MasterFresh zone	87
Automatic cold air circulation (DynaCool)	87
... in the Freezer Zone.....	87
Setting the temperature.....	88
Temperature range	88
Using Automatic SuperCool and SuperFreeze	89
Temperature and door alarm	91
Adjusting the interior fittings	93
Moving the shelves in the appliance door.....	93
Moving the adjustable shelves	93
Removing the hanging drawer	94

Contents

Removing compartments from the Fridge Zone	95
Removing the freezer baskets.....	95
Removing the dividing panel (depending on the model).....	96
Removing the ice cube tray.....	96
Storing food in the refrigerator section.....	97
Different storage zones	97
Food which is not suitable for storage in the refrigerator section	98
Notes on buying food.....	99
Storing food correctly.....	99
Storing food in the MasterFresh zone	100
MasterFresh zone.....	100
Humidity-controlled compartment with moisture regulator	100
Dry compartment with low temperature.....	102
Freezing and storing food.....	104
Maximum freezing capacity	104
What happens when you freeze fresh food?	104
Storing frozen food.....	105
Home freezing	105
Before placing food in the freezer	106
Placing food in the Freezer Zone.....	106
Making ice cubes	108
Automatic defrosting	110
Cleaning and care	111
Cleaning agents.....	111
Before cleaning the appliance.....	112
Interior and accessories	112
Cleaning the door seal	113
Cleaning the ventilation gaps.....	113
Replacing the Active AirClean filters	113
After cleaning	113
Water filter.....	115
Changing the water filter	116
Using an external water filter.....	117
Lead-free certificate	119
Frequently Asked Questions	120
Causes of noises	130

Contents

Customer Service	131
Contact in the event of a fault	131
Appliance warranty and product registration	131
Declaration of conformity	132
Copyrights and licenses	133

IMPORTANT SAFETY INSTRUCTIONS

This refrigeration appliance complies with current safety requirements. Inappropriate use can, however, lead to personal injury and material damage.

Please read the operating and installation instructions carefully before using the refrigeration appliance for the first time. They contain important information on safety, installation, use, and maintenance. This is to protect yourself from injury, and from damaging your refrigeration appliance.

Miele expressly and strongly advises that you read and follow the instructions in the chapter on installing the refrigeration appliance, as well as the IMPORTANT SAFETY INSTRUCTIONS.

Miele cannot be held liable for injury or damage caused by non-compliance with these instructions.

Keep these instructions in a safe place and pass them on to any future owner.

 **Danger of injury!**

This appliance is very heavy and can tip forwards when the doors are open.

Keep the appliance doors shut until the appliance has been built in and secured in its housing in accordance with these operating and installation instructions.

IMPORTANT SAFETY INSTRUCTIONS

Appropriate use

- ▶ This appliance is intended for use in domestic households and similar residential environments such as
 - staff kitchen areas in shops, offices and other working environments
 - farm houses and by clients in hotels, motels and other residential type environments
 - bed and breakfast type environments
 - catering and similar non-retail applications.

This appliance is not intended for use outdoors, in damp environments or in places exposed to rain.

- ▶ This appliance is intended for domestic use only for cooling and storing food and drink as well as for storing deep frozen food, freezing fresh food and for making ice.

Any other usage is not supported by the manufacturer and could be dangerous.

- ▶ This refrigeration appliance is not suitable for storing and keeping cool medicines, blood plasma, laboratory preparations, or other similar substances or products that are subject to the Medical Device Directive. Incorrect use of the refrigeration appliance for such purposes may cause deterioration of the items stored. The refrigeration appliance is also not suitable for use in areas where there is a risk of explosion.

Miele cannot be held liable for damage resulting from incorrect or improper use or operation.

- ▶ This refrigeration appliance may only be used by people (including children) with reduced physical, sensory, or mental capabilities or lack of experience and knowledge if they are supervised while using it.

The refrigeration appliance may only be used by these people without supervision if they have been shown how to use it in a safe way and recognize and understand the consequences of incorrect operation.

IMPORTANT SAFETY INSTRUCTIONS

Safety with children

- ▶ To reduce the risk of injury, do not allow children to play in, on or near the appliance.
- ▶ The door hinges can cause injury. Keep children well away at all times.
- ▶ Ensure that any packing material is disposed of safely and kept out of the reach of children. DANGER of suffocation!

Technical safety

- ▶ The coolant circuit has been checked for leaks. The refrigeration appliance complies with statutory and regulatory requirements..
- ▶ To avoid the risk of damage to the appliance, make sure that the connection data (fuse rating, frequency and voltage) on the data plate corresponds to the household supply. Check that this is the case before connecting the appliance. Consult a qualified electrician if in any doubt.
- ▶ The electrical safety of the appliance can only be guaranteed when correctly grounded. It is essential that this standard safety requirement is met. If in any doubt please have the electrical installation tested by a qualified electrician.
- ▶ Reliable and safe operation of this appliance can only be assured if it has been connected to the electricity supply.
- ▶ The outlet must not be concealed behind the appliance and must be easily accessible so that the appliance can be quickly disconnected from the electrical supply in case of an emergency.
- ▶ If the power cord supplied is damaged, it must only be replaced by an original part to prevent a hazard for the user. Miele can only guarantee the safety of the appliance when original Miele parts are used.
- ▶ The electrical outlet must be properly grounded.

IMPORTANT SAFETY INSTRUCTIONS

- ▶ Do not connect the appliance to the electrical supply with a power bar or extension cord. These are a fire hazard and do not guarantee the required safety of the appliance.
- ▶ If moisture gets into electrical components or into the power cord, it could cause a short circuit. Therefore, do not operate the machine in areas where there may be moisture or splashing water (e.g., garages, laundry rooms).
- ▶ This appliance must not be installed and operated in mobile installations (e.g. on a ship).
- ▶ Do not use a damaged appliance. It could be dangerous. Check the appliance for visible signs of damage.
- ▶ For safety reasons, this appliance may only be used after it has been built in.
- ▶ The machine must be disconnected from the power supply during installation, maintenance, and repair work, and installation work on the fresh water connection. The machine is only completely isolated from the power supply when:
 - the fuses have been switched off, or
 - the circuit breaker has been removed completely, or
 - the power cord has been unplugged. Pull on the plug and not on the power cord when disconnecting it from the power supply.
- ▶ Unauthorized installation, maintenance, and repairs, or a faulty fresh water connection can cause considerable danger for the user. Installation, maintenance, and repairs, installation work on the fresh water connection, and all repairs on the ice/water outlet must only ever be carried out by a Miele authorized technician.
- ▶ Any manufacturer's warranty will be void if the appliance is not repaired by a Miele approved service technician.

IMPORTANT SAFETY INSTRUCTIONS

- ▶ Defective components should only be replaced by Miele original parts. Only with these parts can the manufacturer guarantee the safety of the appliance.
- ▶ Miele cannot be held liable for damage caused by a faulty connection to the fresh water supply.
- ▶ The ice cube maker must only be connected to a cold water line.
- ▶ DANGER of injury! Never tamper with the movable components on the ice cube maker or the element on the ice cube maker.

Correct use

- ▶ The refrigeration appliance is designed for use within a specific climate class (room temperature range). Do not use in a climate class for which it is not designed. A lower room temperature will cause the compressor to switch off for longer periods, meaning that the refrigeration appliance is unable to maintain the required temperature.
- ▶ WARNING! DANGER of overheating! Do not cover or block the air vents. This can impair the efficiency of the appliance, increase the power consumption and cause damage to the appliance.
- ▶ If storing food which contains a lot of fat or oil in the appliance, make sure that it does not come into contact with plastic components as this could cause stress cracks or break the plastic.
- ▶ Risk of fire and explosion. Do not store any explosive materials or products containing flammable propellants (e.g., spray cans) in the appliance. Electrical components can cause flammable mixes of gases to ignite.
- ▶ Risk of explosion. Do not operate any electrical equipment (e.g., an electric ice-cream maker) inside the refrigeration appliance. Risk of sparking and explosion.

IMPORTANT SAFETY INSTRUCTIONS

▶ Do not store cans or bottles containing carbonated drinks or liquids which could freeze in the freezer. The cans or bottles could explode.

DANGER of injury and damage to the appliance.

▶ When cooling drinks quickly in the freezer, make sure bottles are not left in for more than one hour; otherwise they could burst, causing injury or damage.

▶ Risk of injury. Never handle frozen food or the metal parts of the appliance with wet hands. Your hands may freeze to the frozen food or to the metal.

▶ Risk of injury. Do not take ice cubes out with your bare hands and never place ice cubes or ice pops in your mouth straight from the freezer section. The very low temperature of the frozen food can cause frost burn to the lips and tongue.

▶ Do not refreeze partially or fully defrosted food. Consume defrosted food as soon as possible, as it will lose its nutritional value and spoil if left for too long. Defrosted food may only be refrozen after it has been cooked.

▶ When eating stored food, there is a danger of food poisoning. Storage times will depend on several factors, including the freshness and quality of the food, as well as the temperature at which it is stored. Observe the manufacturer's "use-by" dates and storage instructions.

▶ Use only genuine original Miele parts. If parts or accessories from other manufacturers are used, the warranty may become invalid.

IMPORTANT SAFETY INSTRUCTIONS

Cleaning and maintenance

- ▶ Do not use any oil or grease on the door seals. They can cause the seals to deteriorate over time.
- ▶ Never use a steam cleaner to clean the appliance. The steam can reach the electrical components and cause a short circuit.
- ▶ Sharp edged or pointed objects will damage the evaporator, causing irreversible damage to the appliance. Do not use sharp edged or pointed objects to
 - remove frost or ice,
 - separate frozen foods or remove ice trays.
- ▶ Never place electric heaters or candles in the appliance to defrost it. These can damage the plastic parts.
- ▶ Do not use defrosting sprays or de-icers, as they could contain substances which could damage the plastic parts or which might cause the build-up of gases and pose a danger to health.

IMPORTANT SAFETY INSTRUCTIONS

Transport

- ▶ To avoid damage to the appliance, always transport it upright and in its packaging.
- ▶ Risk of injury and damage. The refrigeration appliance is very heavy and must be transported by 2 people.

Disposal of your old appliance

- ▶ Children could become trapped in the machine and could suffocate.
 - Remove the machine doors.
 - Remove the drawers.
 - Leave the adjustable shelves in the machine so children cannot climb inside.
- ▶ DANGER of electric shock!
 - Cut the plug off the power cord.
 - Cut the power cord off the old appliance.
- ▶ Dispose of them separately from the appliance.
- ▶ Ensure that the appliance is not stored in the vicinity of gasoline or inflammable gases and liquids during and after disposal.
- ▶ Make sure that the coolant pipework is not damaged during disposal to avoid uncontrolled leakage of oil and coolant (see data plate for coolant type).
- ▶ Splashes of coolant can cause damage to the eyes. Be careful not to damage any part of the pipework while awaiting disposal, e.g. by
 - puncturing the coolant channels in the evaporator,
 - kinking any pipework,
 - scratching the surface coating.

Caring for the environment

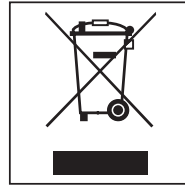
Disposal of packaging material

The packaging is designed to protect the appliance from damage during transportation. The packaging materials used are selected from materials which are environmentally friendly for disposal and should be recycled.

Ensure that any plastic wrappings, bags, etc. are disposed of safely and kept out of the reach of children. Return the packaging to your dealer.

Disposing of your old appliance

Electronic and electrical appliances contain many valuable materials. They also contain certain materials, compounds, and components which were essential for their correct functioning and safety. These could be hazardous to your health and to the environment if disposed of with general waste or if handled incorrectly. Please do not, therefore, dispose of your old appliance with general waste.



Instead, please make use of officially designated collection and disposal points to dispose of and recycle electrical and electronic appliances. By law, you are solely responsible for deleting any personal data from the appliance prior to disposal.

Take care not to damage your refrigeration appliance's pipework before or during transportation to an authorized collection depot.

This is to ensure that coolant in the cooling circuit and oil in the compressor is contained, and will not leak into the environment.

Please ensure that your old appliance poses no risk to children while being stored for disposal. For additional information, see "IMPORTANT SAFETY INSTRUCTIONS" in these operating and installation instructions.

Installation location

This appliance should be installed in a dry, well-ventilated room.

When deciding where to install your refrigeration appliance, please bear in mind that it will use more energy if installed near to a heater, a range, or another appliance that gives off heat. Direct sunlight should also be avoided. The higher the room temperature, the longer the compressor runs and the higher the energy consumption of the refrigeration appliance.

When installing the refrigeration appliance, please note the following:

- The electrical socket must be easily accessible in an emergency and not concealed behind the appliance.
- The plug and power cord must not touch the rear of the refrigeration appliance as they could be damaged by vibrations from the appliance.
- Do not plug in other appliances behind the refrigeration appliance.

If installation near a heat source is unavoidable, observe the following minimum distances between the appliance and the heat source:

- At least 1 1/4" (3 cm) to electric or gas stoves
- At least 11 3/4" (30 cm) to oil or coal-based stoves

If it is not possible to observe these minimum distances, an isolation plate must be installed between the refrigeration appliance and the heat source.


Climate class

The refrigeration appliance is designed for use within the climate class (room temperature range) SN-T. Do not use in a climate class for which it is not designed.

Climate class	Room temperature
SN	50°F to 90°F / 10°C to 32°C
N	60°F to 90°F / +16°C to +32°C
ST	60°F to 100°F / +16 to +38°C
T	60°F to 109°F / +16 to +43°C

A lower room temperature will cause the compressor to switch off for longer periods. This can cause the internal temperature in the refrigeration appliance to rise with the risk of food deteriorating and going off.

Installation


 Risk of damage due to high humidity.

In environments with high humidity, condensation can build up on external refrigeration appliance panels, which can cause corrosion.

Install the refrigeration appliance in a dry and/or air-conditioned room with sufficient ventilation.

After installation, make sure that the appliance doors close properly, the ventilation gaps are not covered, and the refrigeration appliance has been installed in accordance with these operating and installation instructions.

Installation notes

 Risk of damage and injury due to the refrigeration appliance tipping over.

This refrigeration appliance is very heavy and can tip forwards when the appliance door(s) is (are) open.

Keep the appliance door(s) shut until the refrigeration appliance has been built in and secured in its housing in accordance with these operating and installation instructions.

Due to its weight and size, the refrigeration appliance must be installed by two people.

Adjoining cabinetry/units

The appliance is screwed to the adjoining cabinetry/units to the side and above. For this reason, it is essential that all cabinets/units are fixed to the ground and/or wall.

Load-bearing capacity of the niche floor

To ensure the safe installation of the refrigeration appliance and to guarantee its correct functioning, the floor of the niche where the appliance is to be installed must be smooth and even.

It must be made from strong, rigid material.


Because the refrigeration appliance is extremely heavy when fully loaded, it is essential that the floor it stands on is able to bear its weight. If necessary, seek the advice of an architect or construction expert.

When fully loaded, the weight of the refrigeration appliance is approx.:

KF 2981 Vi

1142 lbs
(518 kg)

Ventilation

 Risk of fire and damage due to insufficient ventilation.

If the refrigeration appliance is not ventilated sufficiently, the compressor will run more frequently and for longer periods.

This causes increased energy consumption and an increased compressor operating temperature, which can result in damage to the compressor.

Please ensure that there is adequate ventilation around the refrigeration appliance.

Do not block the ventilation gaps.

The ventilation gaps must never be obstructed.

Installation

Side-by-side

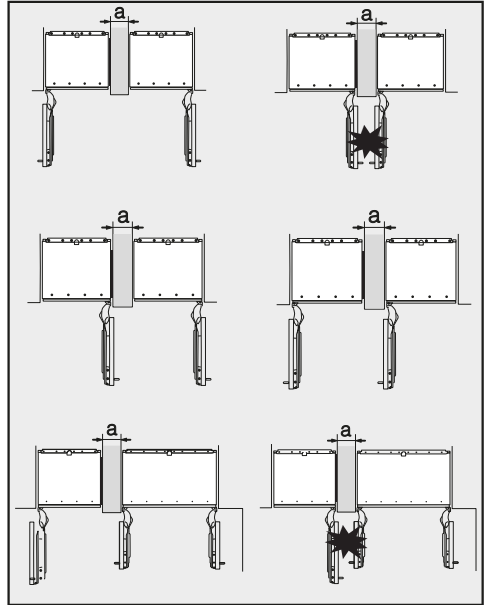
This appliance can be installed side-by-side with another refrigeration appliance. The following overview will show you which side-by-side installation options you have with your refrigeration appliance.

Depending on the installation situation, you will need the side-by-side installation kit for side-by-side installation (see "Accessories – Optional accessories").

Instructions for installing refrigeration appliances side-by-side can be found in the side-by-side installation kit installation instructions.

... with partition wall

The wall **a** between the side-by-side appliances must be **at least 5/8" (16 mm)** thick.



If the door hinges of the refrigeration appliances are next to each other, you must take into account the thickness of the cabinet fronts and door handles so that the appliance doors do not collide and become damaged if they are opened at the same time.

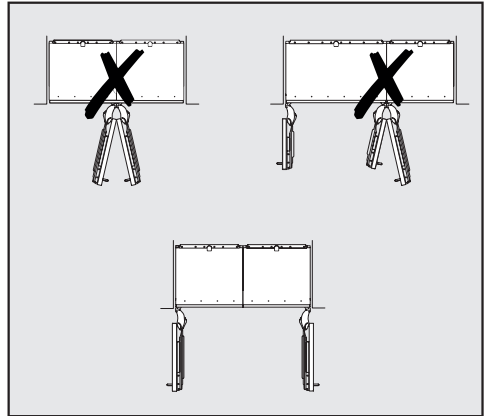
The refrigeration appliances are secured individually in their installation niche using the supplied installation material.

If the partition wall **a** is **narrower than 6 5/16" (160 mm)**, you will need the side panel heater from the side-by-side installation kit to prevent condensation from forming and any resulting damage.

When planning installation niches, please note that the niche into which the refrigeration appliance with the side panel heater is installed must be **3/16" (4 mm)** wider (see "Installation – Building-in dimensions").

If the partition wall **a** is **thicker than 6 5/16" (160 mm)**, you do not need the side-by-side installation kit, nor the side panel heater.

. . . without partition wall



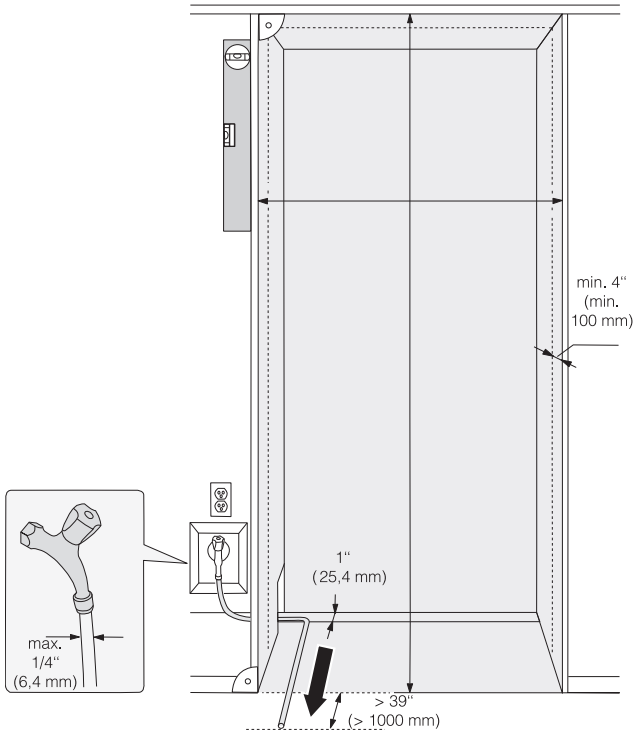
If the appliances are to be installed next to each other without a partition wall between them, they will need to be joined together with the side-by-side installation kit. In addition, you must install the side panel heater to prevent condensation from forming and any resulting damage.

Installation

Specifications for the plumbed water connection

- The machine may only be connected to the plumbed water connection by qualified technicians.
- Connection to the household water supply must comply with the applicable regulations in the country in which the machine is being installed. All units and systems used to supply water to the machine must also comply with the applicable regulations in the respective country.
- The water quality must comply with the requirements for drinking water in the country in which the machine is being operated.
- The water pressure must be between 29 and 116 psi (2 and 8 bar).
- The appliance is only suitable for connection to a cold water line.
- The appliance may only be connected directly to a fresh water supply to ensure that water is circulated in the cold water line.
- A shut-off valve must be provided between the water line and the water supply of the building to ensure that the water supply can be cut off if necessary.
- Make sure that the shut-off valve is still accessible after the appliance has been installed.

Installation dimensions

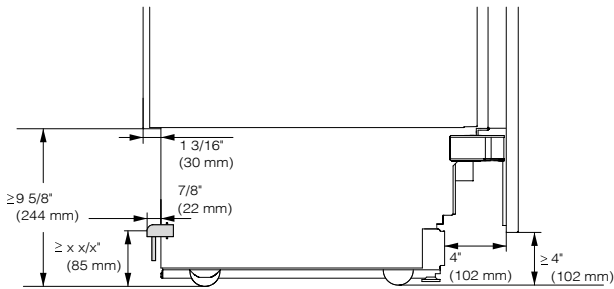
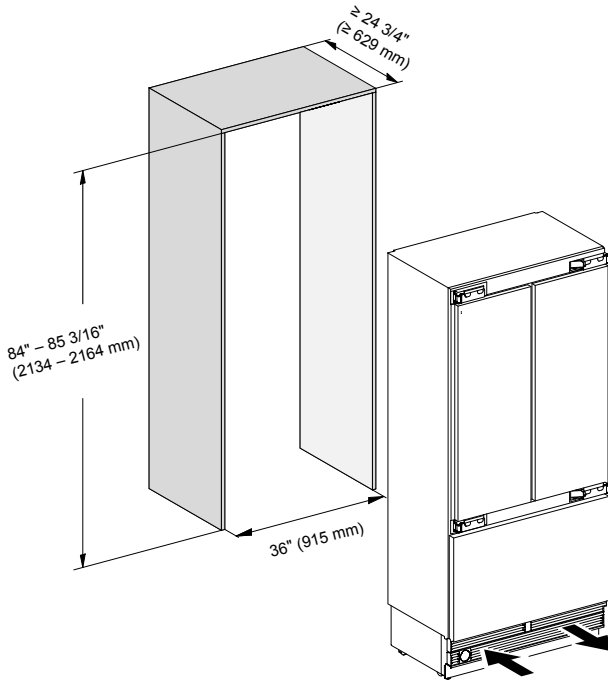


- The electrical connection must not be positioned higher than 9" above the floor.
- The 1/4" plumbed water connection (not supplied) should not be positioned higher than 2" above the floor.

The electrical outlet must not be concealed behind the appliance and must be easily accessible in an emergency!

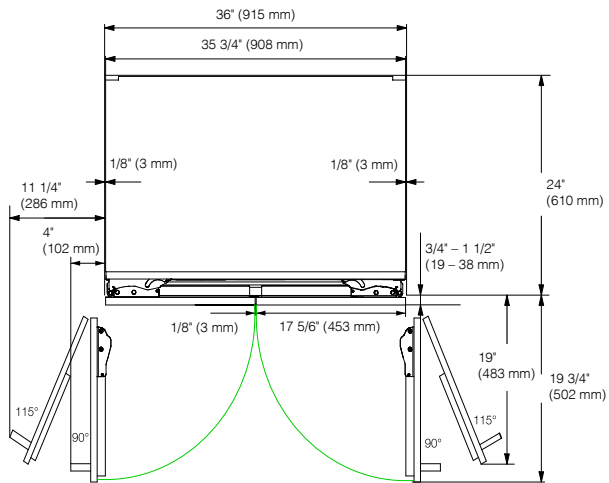
Installation

KF 2981 Vi



Side view

Dimensions when the appliance door is open (opening angle 90°/115°)

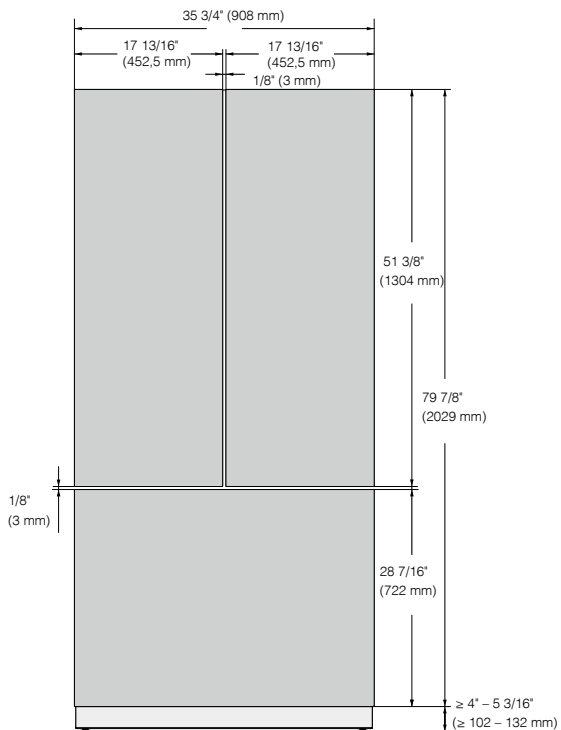


* The dimensions of the cabinet front and the door handle vary depending on the design of the kitchen.

Installation

Dimensions of the cabinet front

KF 2981 Vi



Building in the appliance

Before starting...

It is essential to read these installation instructions carefully before starting to install the appliance.

The appliance should be installed by a suitably qualified tradesman in accordance with these installation instructions. Safe operation of the appliance is only assured if it has been installed and connected in accordance with the installation instructions.



Risk of damage and injury!

This appliance is very heavy and can tip forwards when the door is open.

Keep the appliance door shut until the appliance has been built in and secured in its housing in accordance with the operating and installation instructions.

The appliance is both large and heavy. Installation must be carried out by two people.

The appliance must be installed in accordance with local regulations. If local regulations are not available, the following regulations must be observed:

- in the USA: the National Electric Code, ANSI/NFPA 70 - latest edition/ State and Municipal codes and/or local codes.
- in Canada: the Canadian Electric code C22.1 - latest edition/Provincial and Municipal codes and/or local codes.

Installation

Tools required

- Cordless drill
- TX 20 screwdriver
- Hammer drill
- Drill bits in various sizes, depending on materials
- Hammer
- Open-ended wrench
- Ratchet wrench, attachment: socket, 5/16" (8 mm)
- Adhesive tape
- Utility knife
- Pipe wrench
- Level
- Tape measure
- Pencil


Other

- Step ladder
- Hand truck

Weight of cabinet fronts

Before installing the cabinet fronts, make sure that they do not exceed the maximum permitted weight:

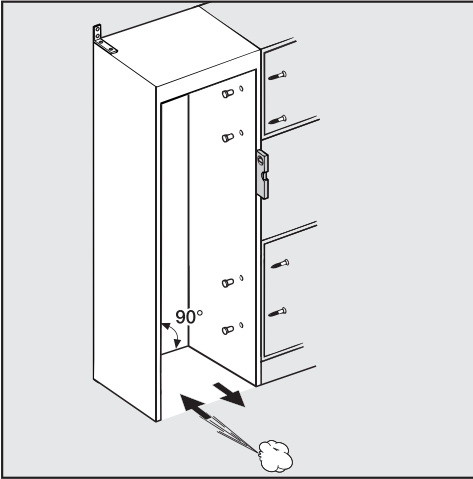
Appliance	Max. weight of upper cabinet fronts	Max. weight of lower cabinet front
KF 2981 Vi	Left 150 lb (68 kg); right 154 lb (70 kg)	19 lb (9 kg)

 Risk of damage due to weight of cabinet front.

Cabinet fronts that exceed the permitted weight can damage the hinges, and this can affect various factors, such as operation of the appliance.

Always observe the permissible weight of the cabinet fronts.

Aligning the installation niche



The building-in niche must be carefully aligned using a spirit level before the refrigeration appliance is installed. The niche corners must be at 90° angles to each other, otherwise the cabinet front will not sit straight on all 4 corners of the building-in niche.

Checking the installation space

- Check the installation dimensions.
- Check the position of the electrical and plumbing connections.
- Check that all adjacent cabinets / units are securely fixed to the wall.
- Check the adjacent cabinets / units for possible collisions when opening doors (door opening angle).

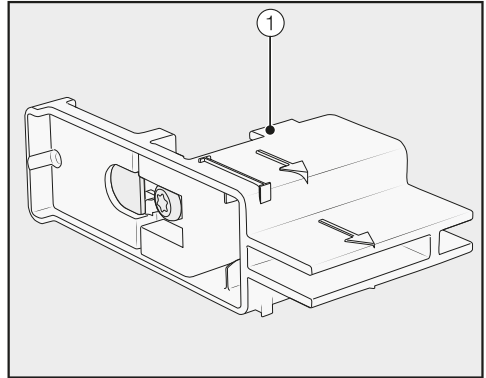
Installation

Before installation

- Before installation, remove any accessories from the back of the appliance.
- Check the refrigeration appliance for damage during transportation.

Do not install a damaged refrigeration appliance.

- Check that all parts at the back of the appliance are unhindered.
- To protect the floor during installation, secure an off-cut of flooring or similar material to the floor in front of the installation area.

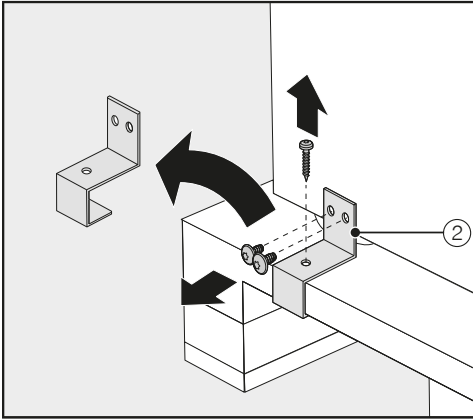


- Do **not** remove the installation aids ① from the appliance door. These will be required later for aligning the appliance in the building-in niche.

⚠ Risk of damage and injury due to the refrigeration appliance tipping over.

As soon as you unscrew the brackets that fix the refrigeration appliance to the pallet, the appliance is no longer secured.

Due to its weight and size, the refrigeration appliance **must be installed by two people.**



- Unscrew the fixing brackets ②.
- With the help of several people as required, carefully lift the refrigeration appliance from the pallet, starting with the back of the appliance.

⚠ Risk of damaging the floor from the load.

Moving the refrigeration appliance can cause damage to the floor.

Move the refrigeration appliance carefully on floors that are sensitive to scratching.

As soon as you have set the appliance upright, you can move it using the rollers on the bottom.

Preparing the installation niche

⚠ Risk of damage and injury due to the refrigeration appliance tipping over.

This refrigeration appliance is very heavy and can tip forwards when the doors are open.

The building-in niche must be secured to the wall behind it and/or above it with several screws. Only this will prevent the refrigeration appliance from tipping over after being installed.

In addition, use the provided anti-tip brackets to secure the building-in niche.

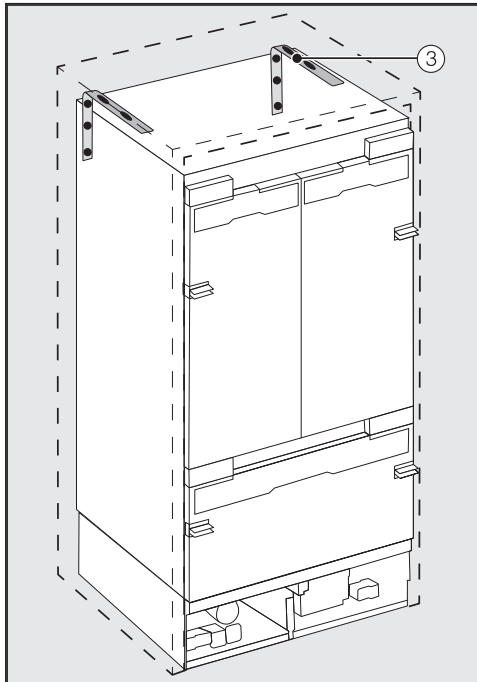
The parts required for installation are supplied with the refrigeration appliance. The plastic bags supplied are marked with letters for easy identification.

- When performing the individual assembly steps, observe the letters specified and use the matching plastic bag with the required installation equipment.

Installation


The anti-tip brackets prevent the refrigeration appliance from tipping.

The anti-tip brackets are also used to fix the building-in niche securely to the surrounding walls.



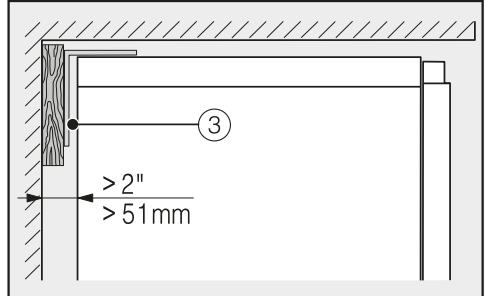
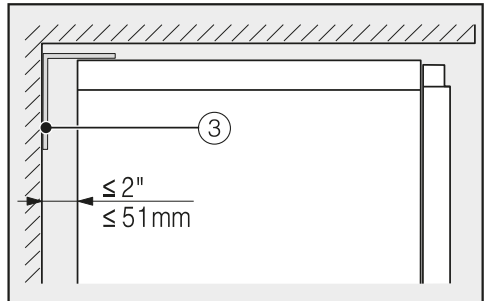
- Use 2 anti-tip brackets ③ for each individual appliance or 4 anti-tip brackets for each (side-by-side) combination of 2 appliances.
- Position the anti-tip brackets ③ on the left and right of the building-in niche.

Depending on the subsequent adjustment of the feet, the anti-tip brackets are positioned 7'-7' 1 3/4" (2134–2164 mm) from the floor of the niche.

 Risk of injury and damage due to tipping refrigeration appliance.

If the anti-tip brackets are fixed too high up, they cannot be used to secure the refrigeration appliance.

The distance between the anti-tip brackets and the refrigeration appliance must not exceed 5/16" (8 mm).

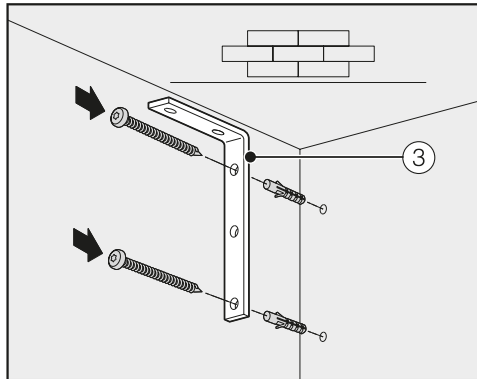


- Make sure that the gap between the refrigeration appliance's rear wall and the building-in niche does not exceed 2" (51 mm).
- Place a wooden wedge behind the anti-tip brackets ③ if necessary.

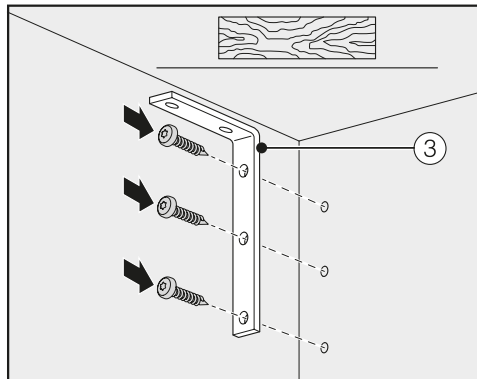
- While holding the anti-tip brackets in place, mark the necessary drill holes on the rear wall of the installation niche.

B

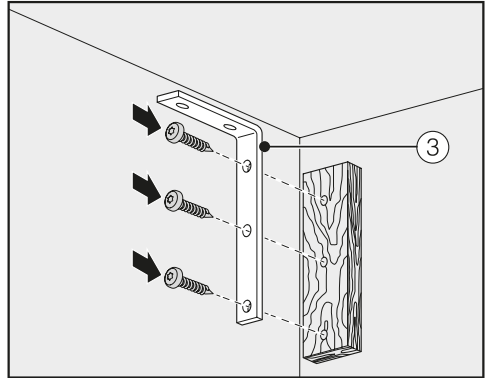
Fixing screws for different uses and types of material are supplied in the accompanying pack.



Securing to a concrete wall



Securing to a wooden wall



Securing with a wooden wedge

- Secure the building-in niche to the wall behind it and/or above it as required using the anti-tip brackets ③.
- Now prepare the plumbed water connection for the appliance (see “Plumbed water connection”).

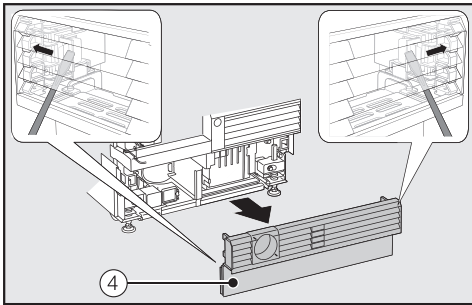
Installation

Pushing the appliance into the niche

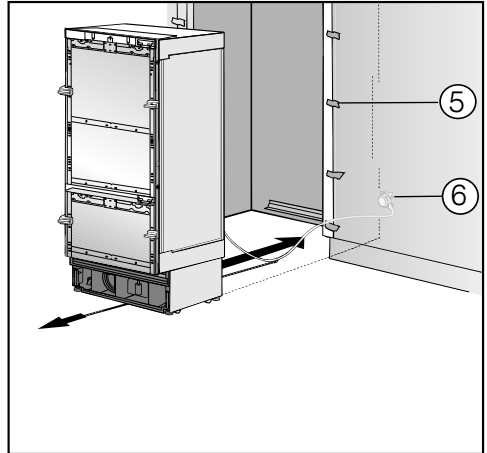
Push the appliance into the niche, taking care not to damage the power cord and plumbed water connections.

If you are installing several refrigeration appliances side by side, now secure the appliances to one another (see the installation instructions for the side-by-side installation kit).

- To ensure that the refrigeration appliance can then be aligned correctly, the toe-kick ventilation grille must be removed from the appliance toe-kick:



- Carefully guide a flat-head screwdriver through the toe-kick ventilation grille ④ on both sides and use it to push the internal plastic latches outwards to release the toe-kick ventilation grille.
- Place the toe-kick ventilation grille to one side.



- Affix edge protection ⑤ to the adjacent cabinet fronts.
- Insert the plug connector at the back of the refrigeration appliance (see “Installation – Electrical connection”).
- Insert the plug ⑥ into the electrical socket.

The electrical socket must be close to the refrigeration appliance and easily accessible.

⚠ Risk of damage due to electrical overload.

If the refrigeration appliance is electrically overloaded, this can cause a short circuit and thus damage your refrigeration appliance.

When you install appliances side by side, each refrigeration appliance must have its own separate electrical socket.

Tip: Secure the power cord to prevent it from becoming caught by tying a piece of string to the middle of the cord and as the refrigeration appliance is being pushed into the niche, pull the cord forward underneath the appliance.

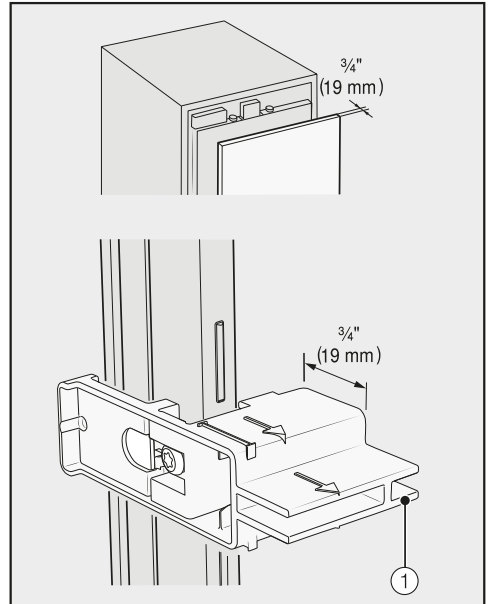
- Carefully push the refrigeration appliance into the niche.
- If the refrigeration appliance cannot be pushed into the niche (because the floor is uneven, for example), unscrew the rear feet slightly (see “Installation – Aligning the refrigeration appliance”) and slide the refrigeration appliance into the building-in niche.
- Remove the edge protection ⑤ from the adjacent cabinet fronts.

Aligning the refrigeration appliance

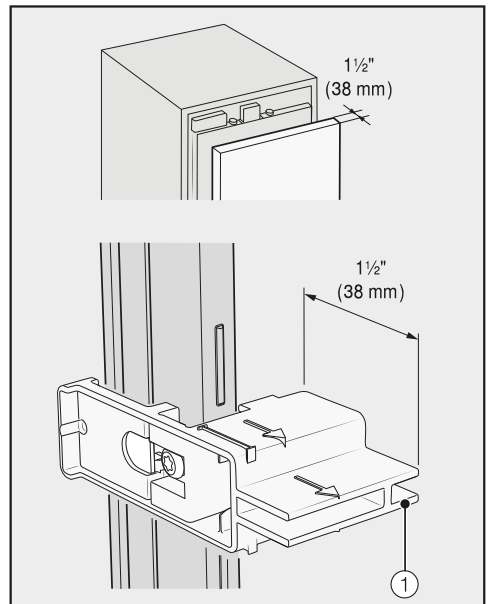
The installation aids ① on the appliance door provide assistance with the alignment of the refrigeration appliance in the building-in niche.

The installation aids are suitable for a cabinet front thickness of 3/4" or 1 1/2" (19 mm or 38 mm).

- Align the appliance with neighboring cabinet fronts as described below.




Cabinet-front thickness of 3/4" (19 mm)



Cabinet-front thickness of 1 1/2" (38 mm)

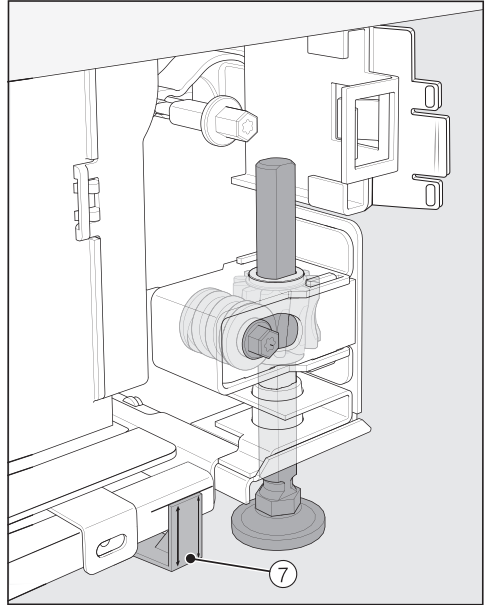
Installation

The adjustable feet at the front and back of the appliance can all be adjusted from the front of the appliance.

 Risk of damage due to incorrect feet adjustment.

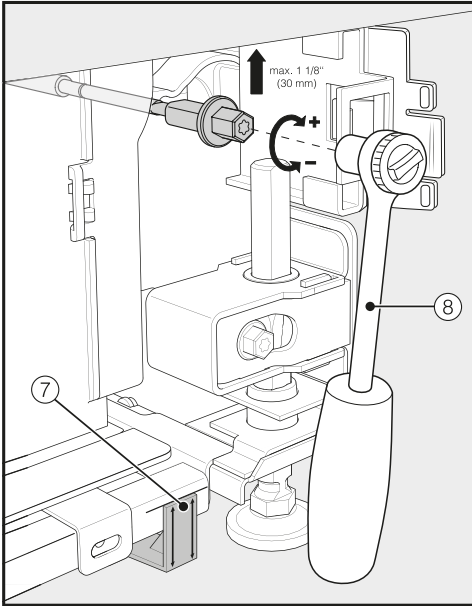
You may damage the adjustable feet if you use a cordless screwdriver.

Always adjust the front and rear feet by hand.



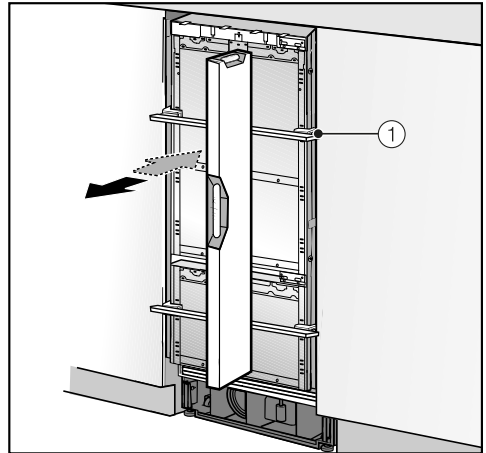
- Position the supplied spacers ⑦ on both sides on the markings next to the adjustable feet at the front of the appliance.

Installation

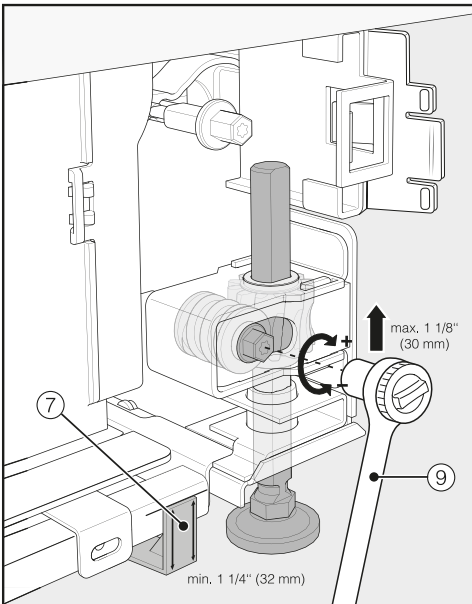


- Adjust the front feet with a ratchet (attachment: 5/16" (8 mm) socket) or a TX 20 screwdriver ⑧.

Tip: Proceed carefully when adjusting the feet, alternating between the left and right feet.



- Adjust the rear feet with a ratchet (attachment: 5/16" (8 mm) socket) or a TX 20 screwdriver ⑧.



- Place a level across the installation aids ① on the appliance door to check the refrigeration appliance's alignment.
- Unscrew the feet ⑧ and ⑨ on both sides at least until the marking on the toe-kick is aligned with the required 1 1/4" (32 mm) on the spacer ⑦. The standard dimension of 1 1/4" (32 mm) relates to a niche height of 84" (2,134 mm).

It is important to adjust the feet to a height of at least 1 1/4" (32 mm) so that the ventilation of the refrigeration appliance via the toe-kick functions correctly.

Installation

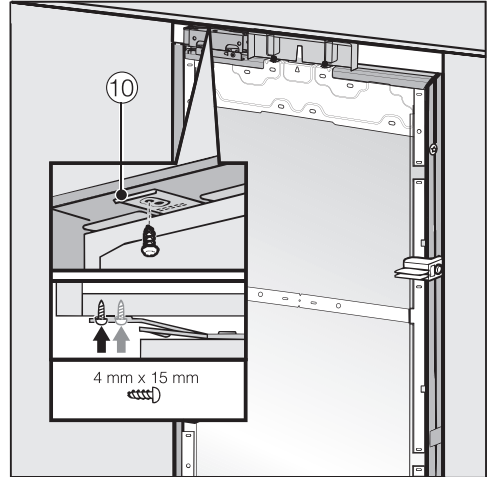
⚠ Risk of damage if the feet are adjusted too much.

The rear adjustable feet can be damaged.

Unscrew the feet **only until** the marking on the toe-kick is aligned to a maximum of 2 7/16" (62 mm) (max. niche height of 85 3/16" (2,164 mm)).

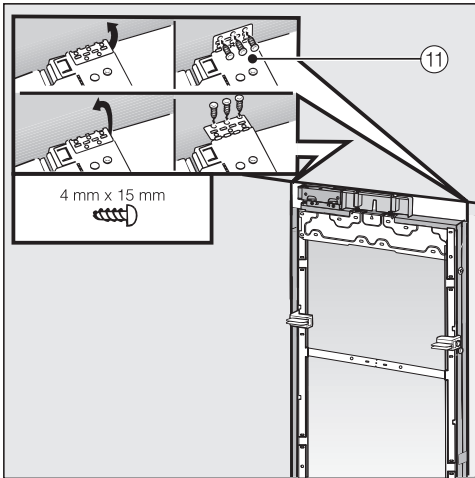
- Check the alignment of the refrigeration appliance again using the installation aids ① and level.

Securing the appliance in the niche



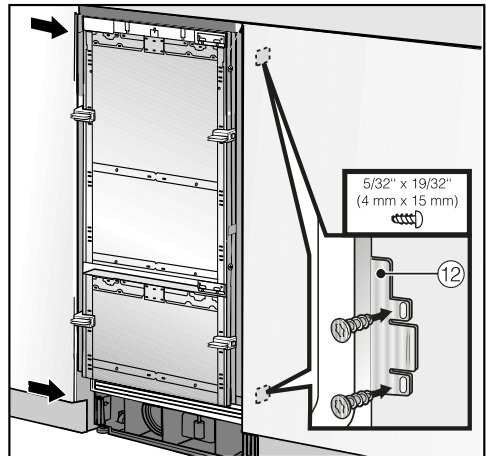
- Screw the lugs for the fixing plate ⑩ into the cabinets/units above the appliance.

If it is not possible to secure the appliance at the top, it can be attached to the niche with the side fixing plates:



- Open out the side fixing lugs ⑪.
- Secure the side fixing lugs ⑪ with the screws provided.

- Open both appliance doors.



- Screw the mounting plate lugs ⑫ at the top and bottom to the cabinets/units adjacent to the appliance.

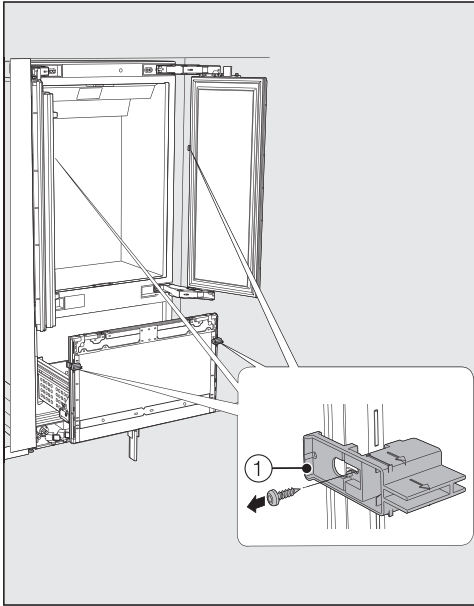
In a side-by-side combination, only the external panels of the two appliances can be secured to the cabinet wall.

- Connect the appliance to the household water supply (see "Plumbed water connection").

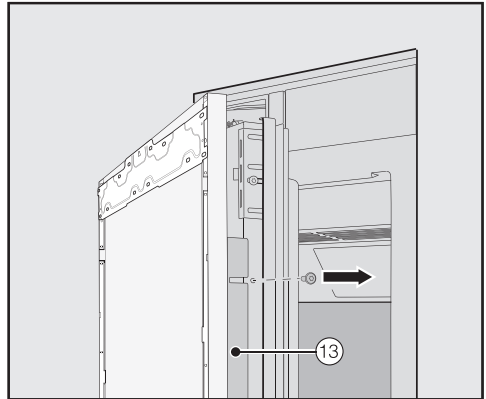
Installation

Preparing the cabinet fronts

- Open all appliance doors as far as they will go.

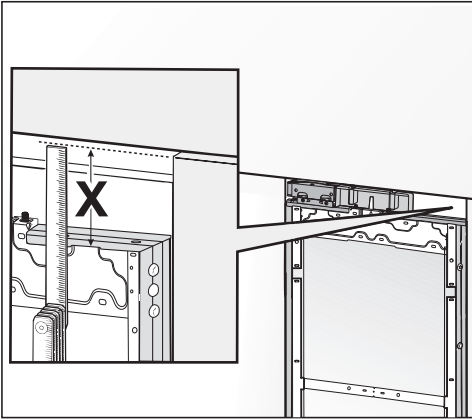


- Unscrew the installation aids ① from the appliance doors.

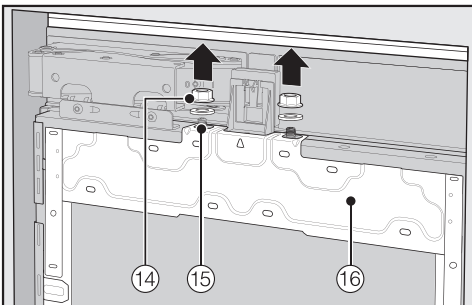


- On both sides, unscrew the angle trims ⑬ from the upper appliance doors and place the trims and screws to one side – they will be required later.
- Close the upper appliance doors.

For optimum alignment of the cabinet fronts, it is important to install the upper cabinet fronts first, followed by the lower cabinet front.

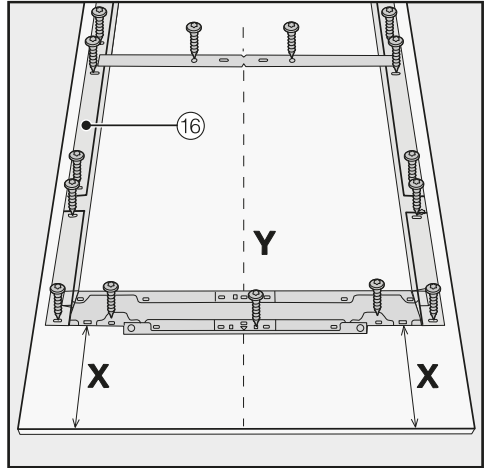


- Measure the gap **X** between the adjusting bars and the upper edge of the adjacent cabinet front.



- On both appliance doors, remove the nuts and washers **14** from the threaded bolts **15** and store them in a safe place – they will be required later.

The mounting frames **16** can now be removed from the appliance doors.

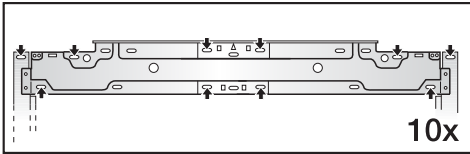


- Place each cabinet front on a firm surface, with the external side facing downwards (place on a blanket or similar to avoid it becoming scratched).
- Mark the distance **X** - 1/8" (3 mm) on the inner side of the cabinet front.
- Similarly, locate and mark the midpoint **Y** on each cabinet front.
- Position each mounting frame **16** according to the markings on the cabinet front.
- Pre-drill the holes.



- Screw each mounting frame **16** to the cabinet front:
Use at least one screw for each retaining point on the mounting frame **16**.

Installation



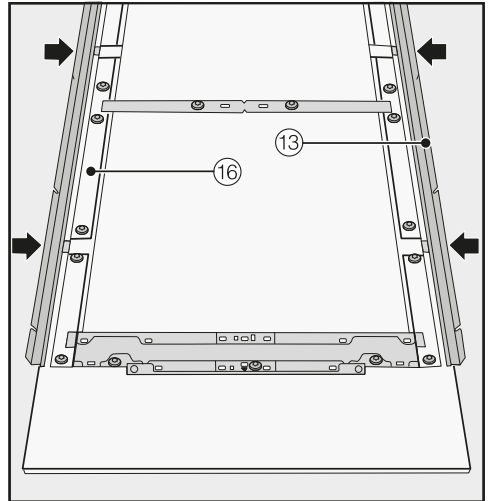
- Secure the mounting frame (16) to the top of the cabinet front, using at least 10 screws depending on the size.

The mounting frames have several different types of holes to take account of a variety of cabinet fronts.

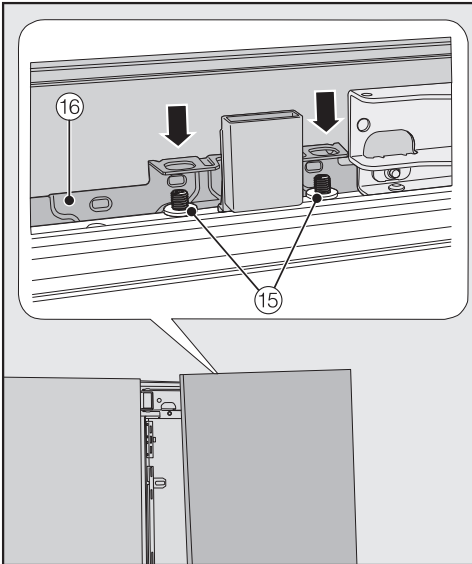
When securing the frame, always screw into the strongest part of the cabinet door. To do this, select screws which are slightly shorter than the thickness of the cabinet front.

- Screw the appliance handles to the cabinet fronts from the inside if necessary (not for handle-free kitchens).

Securing and aligning the cabinet fronts

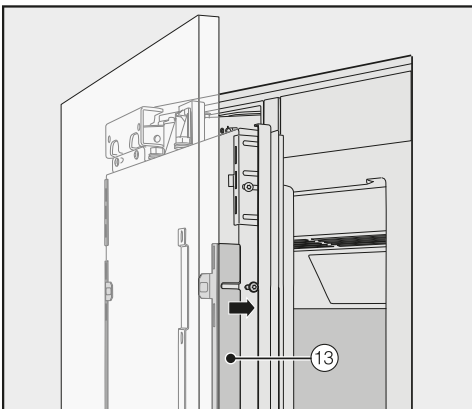


- Now insert the angle trims (13) as far as they will go into the provided spaces in the mounting frame (16).



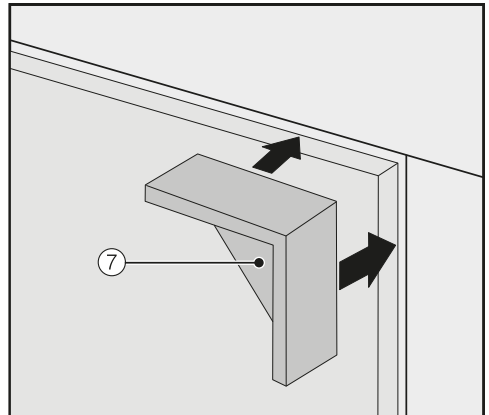
- Open both appliance doors and hang each cabinet front with its mounting frame 16 from the top onto the threaded bolts 15.

E

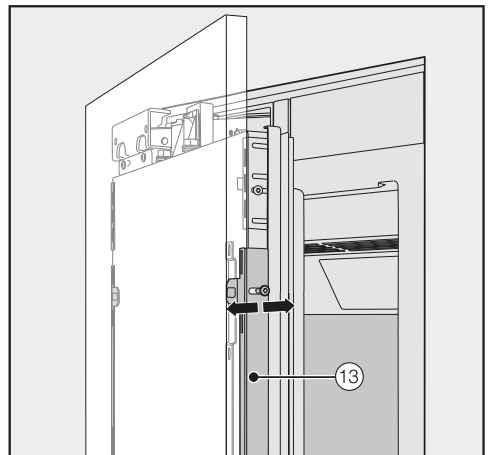


- From the outside, press the angle trims 13 into the white plastic frame on both sides and screw them se-

curely into place. Spare screws are provided in the plastic bag marked with the letter E.

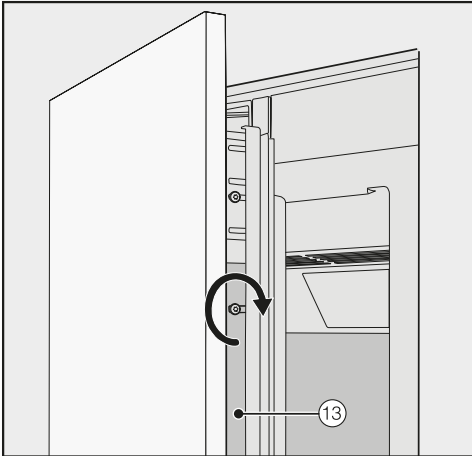


- Place the spacers 7 from the outside on top of the cabinet front on both sides.
- Close both appliance doors and check the distance between each door and adjacent cabinet doors.



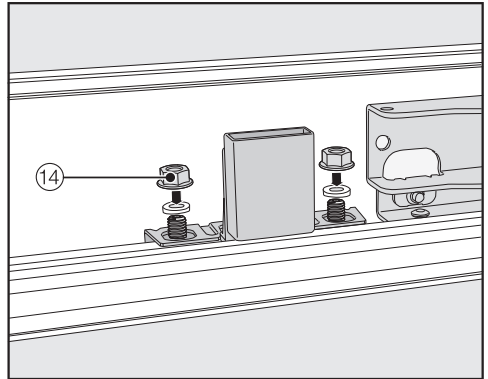
- Align the depth of the appliance doors via the gaps in the angle trims 13. Then screw the angle trims 13 into position.

Installation

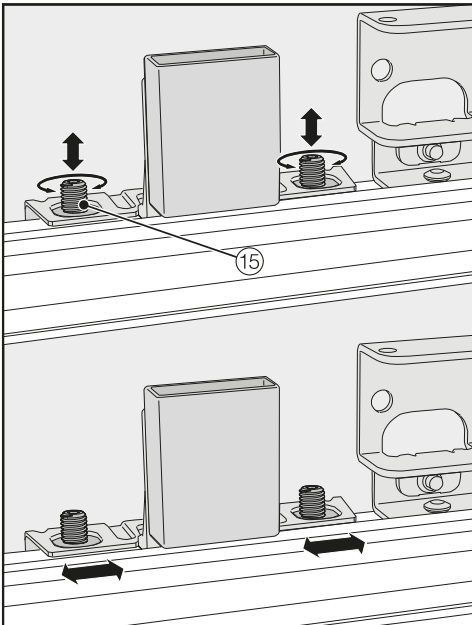


- Now tighten the screws in the angle trims 13.

- Close the appliance doors and check the distance between each door and adjacent cabinet doors.



- Place the washers and nuts 14 back in position and tighten the nuts 14. The appliance doors are now secured.
- Remove the spacers 7 from the cabinet fronts.

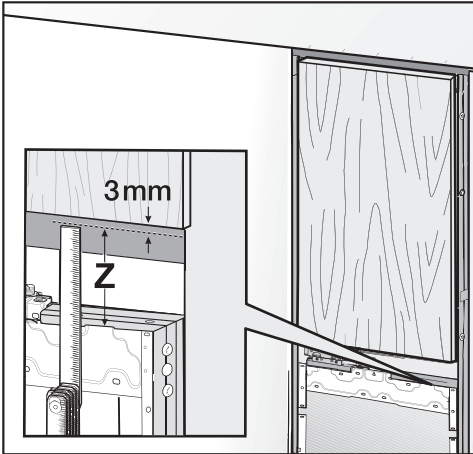


- Align the height and sides of the appliance doors using the threaded bolts 15.

The position of the lower cabinet front aligns with the position of the upper cabinet fronts.

When installing cabinet fronts, consider the dimensions of the upper cabinet fronts.

To install the cabinet front to the lower appliance door, repeat the steps starting from “Preparing to install the cabinet fronts”.



- Measure the gap **Y** between the adjusting bar for the lower appliance door and the upper appliance doors.
- Maintain a gap of 1/8" (3 mm) to the upper cabinet fronts.

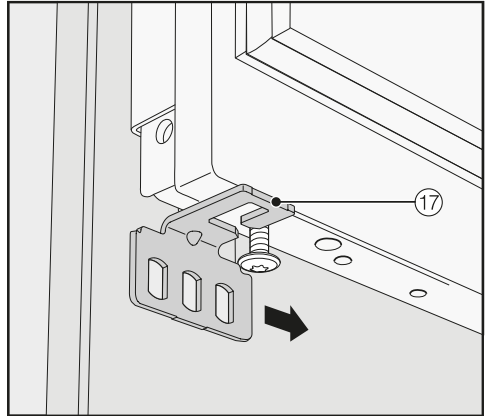
Mounting the retaining brackets



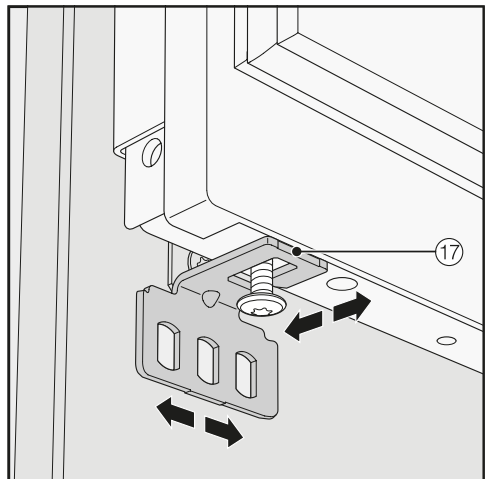
The retaining brackets are used to additionally secure the cabinet fronts to the bottom of the appliance door.

Do not mount the retaining brackets until the appliance (or side-by-side combination, if applicable) has been installed and the cabinet fronts have been aligned.

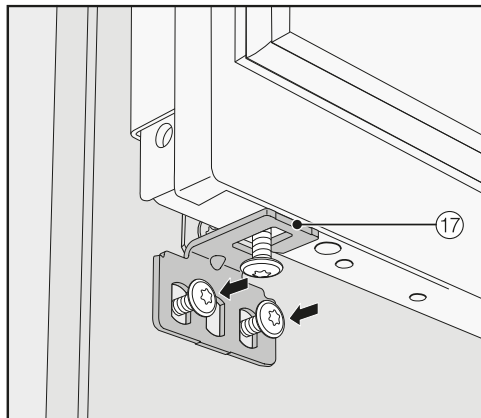
- Open all appliance doors as far as they will go.



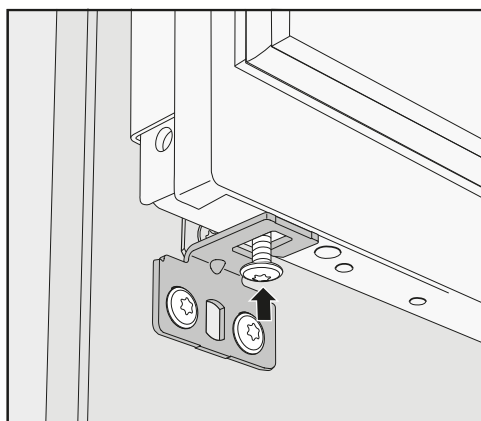
- Slide the top and bottom retaining brackets **17** from both sides onto the screw at the bottom of the appliance door.



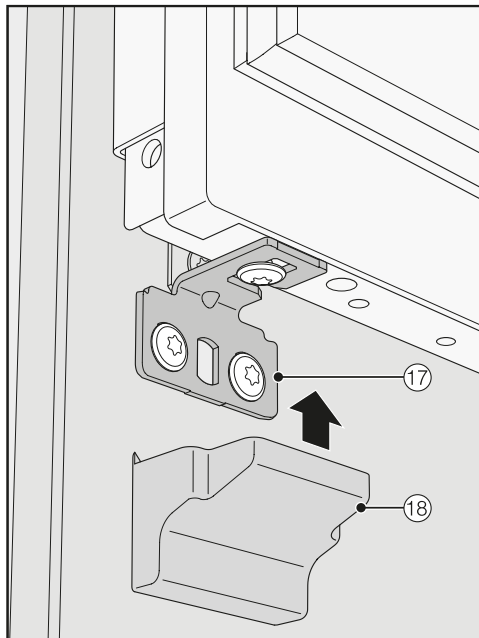
Installation



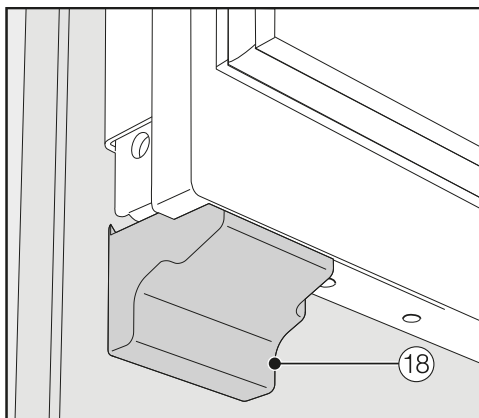
- Screw the retaining brackets (17) securely to the cabinet fronts.



- Tighten the screws at the bottom of the appliance door.

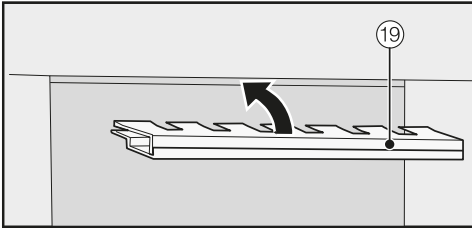


- Place the covers (18) on the retaining brackets (17).

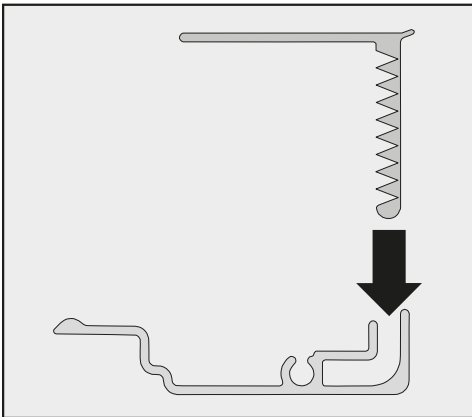


- Click the covers (18) onto the retaining brackets.

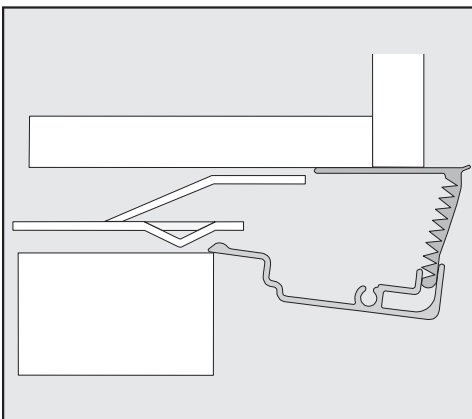
Securing the covers



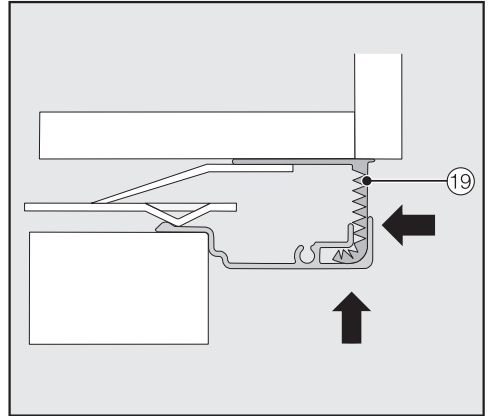
- The top cover (19) must be assembled as follows before it can be installed:



- Insert the two parts of the cover into one another.

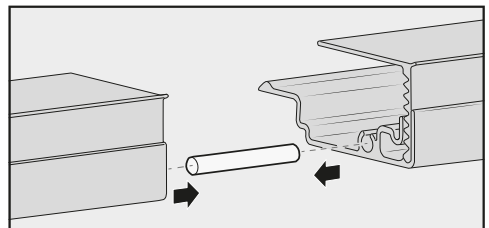


Cover viewed from the side



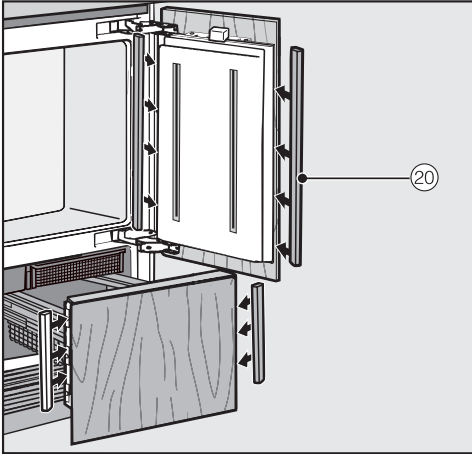
- Place the assembled cover (19) into the gap above the appliance so it clicks into place. While doing so, slide both parts of the cover together as required.

Mounting the cover in a side-by-side combination

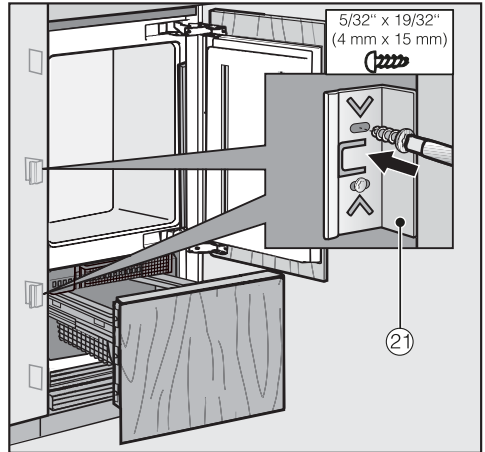


- Insert the joining peg (from the side-by-side kit) halfway into the channel in the cover for the left-hand appliance.
- Place the second cover onto the pin and press the two covers together.
- Click the two covers together into the niche above the appliance.

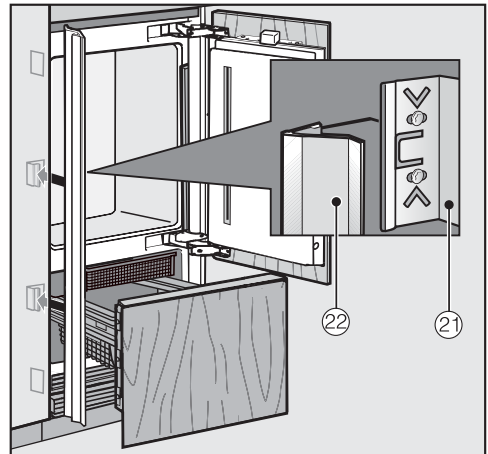
Installation



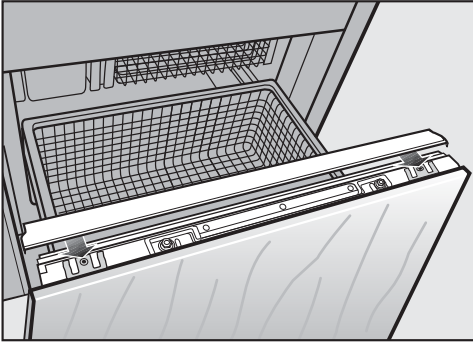
- On both the upper and lower appliance doors, mount the plastic covers ⑳ to the sides of the appliance door by clicking them into the gap between the appliance door and the cabinet door, starting at the bottom and working up to the top.



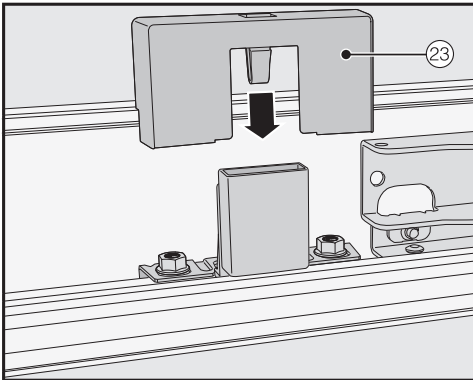
- Secure both sides of the appliance using at least 3 clips ㉑ for the covers.



- Now attach the covers ㉒ onto the retaining clips ㉑ on both sides. In the case of side-by-side installation, the covers are only required on the outer side.

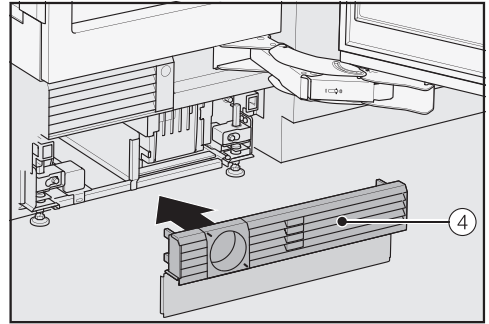


- Slide the cover onto the lower appliance door from the inside.



- Install the cover ②③ onto the light contact switch.

Securing the toe-kick ventilation grille and toe-kick cover



- Click the toe-kick ventilation grille ④ onto the bottom of the appliance toe-kick.

⚠ Risk of fire and damage due to insufficient ventilation.

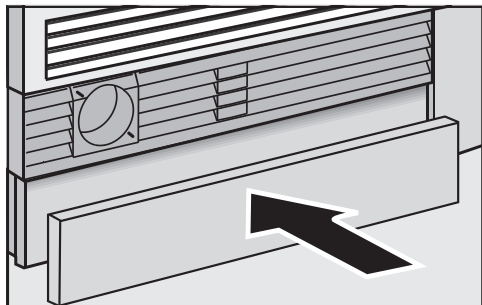
If the refrigeration appliance is not ventilated sufficiently, the compressor will run more frequently and for longer periods.

This causes increased energy consumption and an increased compressor operating temperature, which can result in damage to the compressor.

Please ensure that there is adequate ventilation around the refrigeration appliance.

Do not block the ventilation gaps. The ventilation gaps must never be obstructed.

Installation



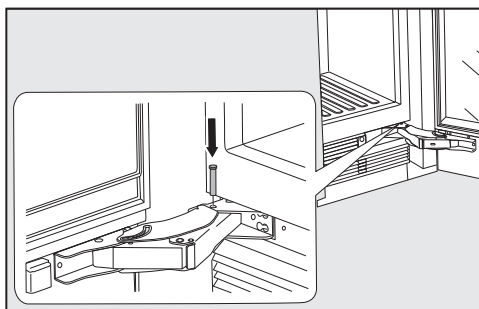
- If necessary, cut the toe-kick cover to the required length and height (cut along the lower edge of the toe-kick facing where it touches the floor).
- Secure the toe-kick cover to the bottom of the toe-kick ventilation grille.

Limiting the opening angle of the appliance doors



The door hinges are set ex works to enable the upper appliance doors to be opened wide.

If, for example, the appliance doors hit an adjacent wall when they are opened, you should limit the opening angle of the appliance doors to 90°:




- Open each appliance door.
- Insert each pin into the hinge from above.

This will limit the opening angles of the appliance doors to 90°.


Water connection

Information on the fresh water connection


 Risk of injury and appliance damage if appliance is not connected properly.

Failing to connect the appliance properly can result in personal injury and/or material damage.

The appliance may only be connected to the fresh water connection by qualified technicians.

 Disconnect the refrigeration appliance from the power supply before connecting it to the water supply.

Close the faucet before connecting the refrigeration appliance to the water supply.

 Risk to health and risk of damage due to contaminated water.

The quality of the incoming water must conform to the requirements for drinking water in the country where the refrigeration appliance is being used.

Connect the refrigeration appliance to the drinking water supply.

Connection to the water supply must comply with the applicable regulations in the country where the appliance is being installed. All appliances and systems used to supply water to the refrigeration appliance must also comply with the applicable regulations in the respective country.

The appliance is only suitable for connection to a cold water line, which

- is directly connected to the water supply in order to ensure that water is circulated in the cold water line.

Avoid connection to a water supply in which the water might stagnate. This can affect the taste of water and ice cubes.

- withstands the operating pressure.
- fulfills the hygiene regulations.

The water pressure must be between 29 and 116 psi (2 and 8 bar).

A shut-off valve must be provided between the water line and the water supply of the building to ensure that the water supply can be cut off if necessary.

Make sure that the shut-off valve is still accessible after the appliance has been installed.

 Risk of damage!

If the water intake is blocked while the Ice Maker is still in use, the water intake pipe can freeze up.

Turn the Ice Maker off if the water intake is interrupted (e.g., while on vacation).

Installation

Unduly high water pressure in the system can result in damage to the appliance.

Install a pressure reducing valve if the water pressure in the system exceeds 116 psi (8 bar).

Do not install the system if the water pressure exceeds 120 psi (8.3 bar).

Contact your plumbing specialist if you are unsure of your water pressure.

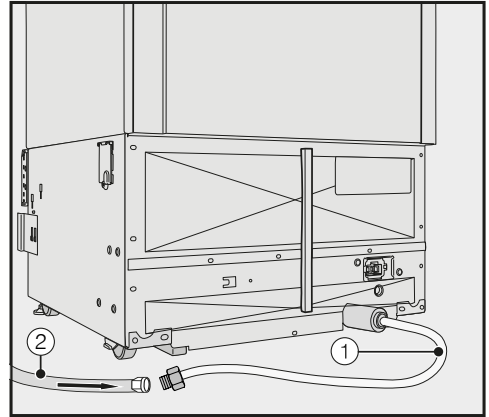
Installing the water hose to the appliance

Before establishing the plumbed-water connection, ensure that the appliance is disconnected from the power supply.

When installing the water hose, make sure that it is neither kinked nor damaged.

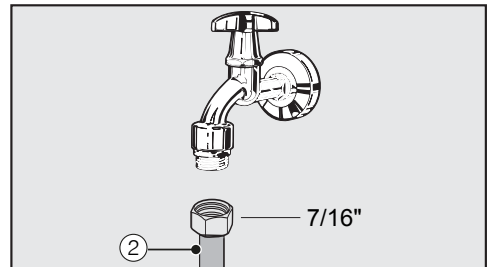
By this time, the installation niche should already have been prepared so that the appliance needs only to be pushed into it.

- Position the appliance slightly in front of the installation niche so that the shut-off valve can still be accessed.



The water connection of the appliance ① is ready for connection at the rear of the appliance.

- Install the water hose ② onto the water connection ① at the rear of the appliance. Ensure that the connections are tight and leak-proof.



- Connect the water hose ② to the shut-off valve.
- Ensure that it is properly screwed into position.
- Slowly open the shut-off valve in the water supply line and check the whole water system for leaks.
- The appliance can now be installed in the niche (see “Installation”).

- The appliance can now be connected to the power supply (see “Electrical connection”).

Electrical connection



Risk of electric shock!

The appliance must only be switched on when it has been installed in accordance with the installation instructions.

Ground the appliance.

The appliance must not be grounded via a gas pipe.

If in doubt, have a suitably qualified and experienced electrician check that the installation complies with relevant regulations.

Do not install a fuse into neutral current or grounding electrical circuit.

Do not use extension cords or ungrounded (two prong) adapters.

Do not use a frayed or damaged power cord.



Risk of electric shock!

For protection against electric shock, this appliance is equipped with a pole-free plug which is protected against reverse polarity. The electrical outlet must be properly grounded.

Do not remove the round grounding connector pin from the plug.

Use only a grounded plug adapter.

Wait for 1 hour after installation before plugging the appliance into the power supply. This allows coolant and refrigerator oil to settle in accordance with regulations.

Ensure that the voltage of the power supply corresponds with the connection voltage of the appliance. A power supply of 110–120 V, 60 Hz and 10–16 Amp, which is protected by a power switch or a fuse, is required to operate the appliance.

The manufacturer recommends operating the appliance on a dedicated circuit to avoid overloading the electrical circuit.

All relevant legal electrical, fire, and building regulations must be observed when installing the electrical outlet and/or the appliance.

In certain countries, appliances are required to be connected to the electrical supply via a wall-mounted ON/OFF switch.

To avoid the risk of fire, electric shock, or other injuries, the appliance must be installed and connected by a suitably qualified electrician in accordance with all relevant local and national regulations and standards, including fire prevention.

The socket must not be concealed behind the appliance and must be easily accessible so that the appliance can be quickly disconnected from the electrical supply in case of an emergency.

Installation

If the outlet is no longer accessible after installation, an additional means of disconnection must be provided for all poles. Suitable means of disconnection include switches with an all-pole disconnect device with a contact opening of at least 1/8" (3 mm). These can be circuit breakers, fuses, and relays.

The plug and power cord must not come into contact with the back of the appliance as vibrations can cause damage to these components. This could result in a short circuit.

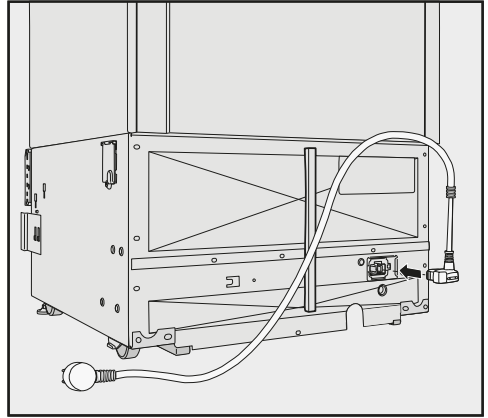
Do not plug other appliances into electrical outlet behind this appliance.

Do not connect the appliance to a stand-alone inverter such as those used with an autonomous energy source e.g., **solar power**.

When the appliance is turned on, power surges could result in a safety switch-off. This can damage the electronics. The appliance must not be used with so-called **energy saving devices** either. These reduce the amount of energy supplied to the appliance, causing it to overheat.

If the power cord needs to be replaced, this must be performed by a qualified technician.

Connecting the appliance



- Insert the plug into the back of the appliance.

Make sure that the plug has clicked into position correctly.

- Insert the plug into the electrical outlet and switch on.

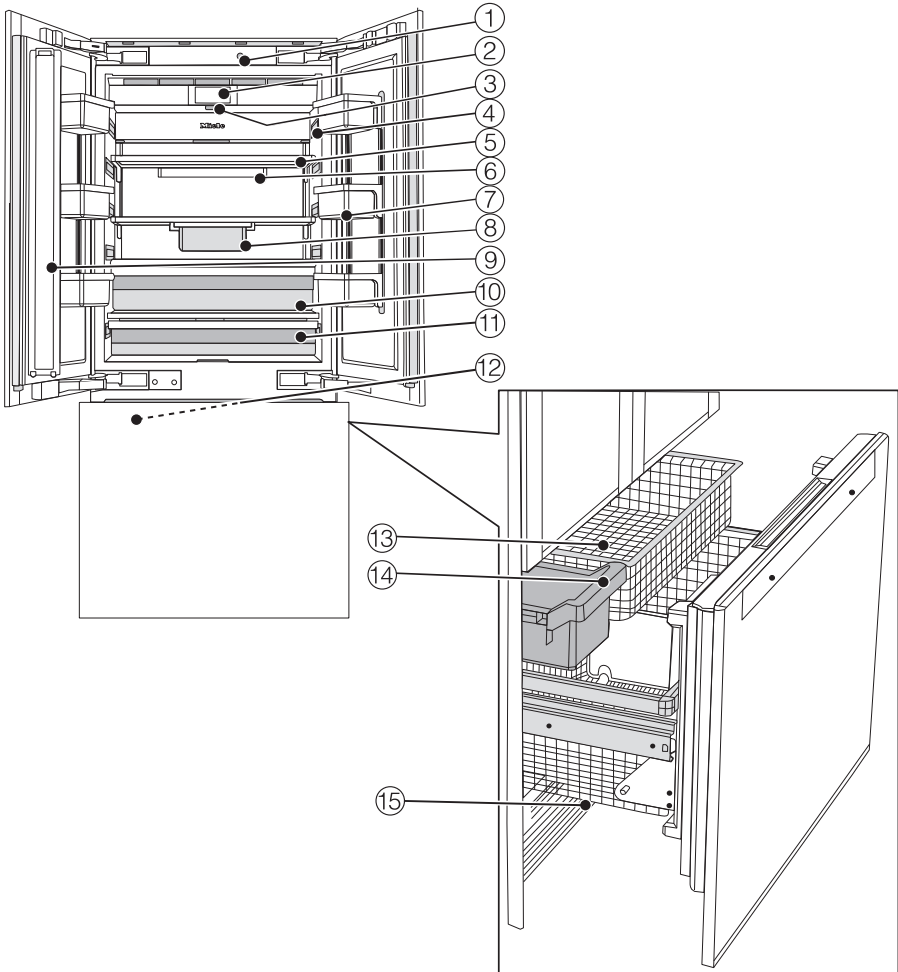
The appliance is now connected to the electricity supply.

Saving energy

	Normal energy consumption	Increased energy consumption
Installation / Maintenance	In a well-ventilated room.	In an enclosed, poorly ventilated room.
	Protected from direct sunlight.	In direct sunlight.
	Away from heat sources (radiator, range/oven).	Near a heat source (radiator, oven).
	Where the ideal room temperature is approx. 68°F (20°C).	Where the ambient room temperature is above 77°F (25°C).
	Air vents uncovered and dusted regularly.	Where the ventilation openings are blocked and full of dust.
Temperature setting	39°F to 41°F (4°C to 5°C) in the refrigerator section	The lower the temperature in the appliance, the higher the energy consumption.
	Dry compartment in the MasterFresh zone approx. 32°F (0°C).	
	0°F (-18°C) in the freezer section	

Saving energy

	Normal energy consumption	Increased energy consumption
Use	The drawers, and shelves are arranged as they were when the appliance was delivered.	
	Only open the door when necessary and for as short a time as possible. Store food in an organized way.	Frequent opening of the door for long periods will cause a loss of coldness. The appliance will try to cool down and the compressor will run for longer periods.
	When shopping, use a cooler bag and place the food in the appliance as soon as possible. Replace any food removed as quickly as possible, before it warms up too much. Allow hot food and drinks to cool down before placing them in the appliance.	Hot food or food at room temperature raises the temperature inside the refrigeration appliance. The appliance will try to cool down and the compressor will run for longer periods.
	Store food well packaged or covered.	The evaporation or condensation of liquids in the refrigerator section will cause a loss of coldness.
	Place frozen food in the refrigerator section to defrost.	
	Do not overfill the appliance in order to allow the air to circulate.	Poor air circulation will cause a loss of coldness.



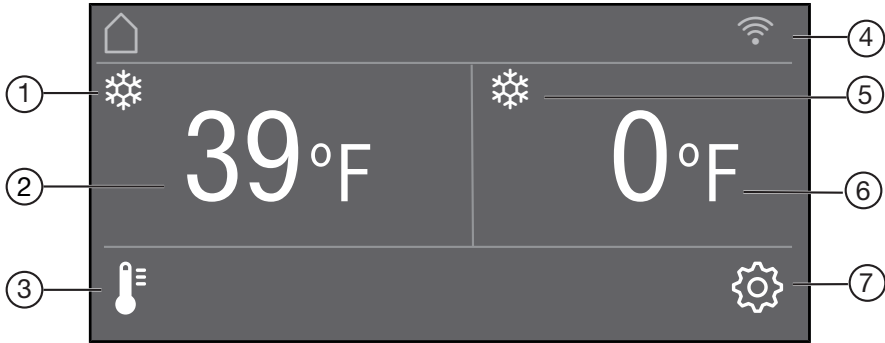
- ① Automatic door opening (Push2open/Pull2open)
- ② Display
- ③ On/Off switch
- ④ Interior lighting
- ⑤ Shelves
- ⑥ Holder for the Active AirClean filter
- ⑦ Door shelves in the appliance door
- ⑧ Hanging drawer for storing small food items



Guide to the appliance

- ⑨ Door pillar with integrated heating (Condensation Protection)
- ⑩ Humidity-controlled compartment with moisture regulator for fruit and vegetables
- ⑪ Dry compartment with low temperature for food which goes off quickly
- ⑫ Ice maker
- ⑬ Freezer baskets
- ⑭ Ice-cube container
- ⑮ Water filter

The dry compartment in the MasterFresh zone fulfills the requirements of a cold storage compartment according to EN ISO 15502.

Main screen




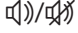
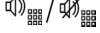


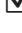












- ① Automatic SuperCool display
(only visible when the Automatic SuperCool function has been switched on)
- ② Temperature display (target temperature) for the refrigerator section
- ③ Sensor control 
for setting the temperature
- ④ Display for Miele@home connection status
(only visible when Miele@home has been set up)
- ⑤ SuperFrost display
(only visible when the SuperFrost function has been switched on)
- ⑥ Temperature display (target temperature) for the freezer section
- ⑦ Sensor control 
for adjusting various settings in Settings mode

Guide to the appliance


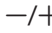

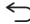
Settings mode

In Settings mode, you can select the following appliance functions and alter their settings to some extent:

Symbol		Function
	Language	Set
	Display Brightness	Adjust (darker to brighter)
	Color Scheme	Set (dark or bright)
	Buzzer Tones	Adjust the volume or switch off the Buzzer Tones completely (e.g., for the door alarm)
	Keypad Tone	Adjust the volume or switch off the Keypad Tone completely
°F / °C	Temperature Unit	Set (°Fahrenheit or °Celsius)
	Keypad Lock	Switch on or off (see “Selecting additional settings”)
	Eco Mode	Switch on or off (see “Selecting additional settings”)
	Self Test	The system restarts and is checked for faults or malfunctions (see “Selecting additional settings”)
	Condensation Protection	Switch on or off (see “Selecting additional settings”)
	Door Assistant	Switch on (Push2Open or Pull2Open) or switch off (see “Selecting additional settings”)
	Miele@home	Set up, deactivate, or query WiFi connection status (see “Selecting additional settings”)
	Demo Mode	Switch off * (only visible when Demo Mode, is switched on see “Selecting additional settings”)
	Factory Default	Reset to default settings (see “Selecting additional settings”)
	Vacation	Switch on or off (see “Selecting additional settings”)
	Dispenser Unit	Switch on or off (see “Making ice cubes”)

	Sabbath Mode	Switch on or off (see “Selecting additional settings”)
	Water Filter Display	Switch on or off or reset (see “Selecting additional settings”)
	Display Active Air-Clean Filter	Switch on or off or reset (see “Selecting additional settings”)

Symbols in settings mode

	Scroll in settings mode or select a setting
	Change a setting (e.g., display brightness)
	Confirm a setting
	Exit the menu level

Accessories

Accessories supplied

Appliance plug

Labels for the MasterFresh zone

Each type of food has its own characteristics which determine the specific storage conditions it requires.



Dry compartment label



Humidity-controlled compartment label

The labels for the two compartments in the MasterFresh zone help you to choose the right type of food to ensure ideal storage conditions.

Stick the labels onto the compartments in the MasterFresh zone as described under “Before first use” in “Initial commissioning”.

Water filter (Active charcoal filter)

The Active charcoal filter filters supply water for making ice cubes.

To ensure the quality of the ice cubes remains high, it is essential to change the Active charcoal filter regularly.

Active AirClean filters

The Active AirClean filters neutralize unpleasant odors in the refrigerator section and stop odors from being transferred to the food.

Insert the supplied Active AirClean filters as described under “Cleaning and care – Replacing the Active AirClean filters”.

We recommend replacing the Active AirClean filters every 6 months.

Optional accessories

A range of useful Miele accessories and care products are available for your appliance.

Active AirClean filters

See “Accessories supplied” for a description.

Water filter (Bypass filter)

The Water filter filters supply water for making ice cubes.

If an external water filter is fitted to your household water supply, use an Bypass filter in place of an Active charcoal filter.

Water filter (Active charcoal filter)

The Active charcoal filter filters supply water for making ice cubes.

Stainless steel front panel

Stainless steel front panels give your refrigeration appliance a high-quality appearance.

Handles and toe-kick panels are also available in a stainless steel look.

Side-by-side installation kit

To install two or more refrigeration appliances next to one another, you will need the side-by-side installation kit (see “Installation – Side-by-side”).

Accessories are available to order via the Miele Webstore, from Miele directly (see back cover for contact details) or from your Miele dealer.

Before first use

Before first use


Allow the appliance to stand for approx. 1 hour prior to connecting it to the power supply. This will help prevent any malfunctions.

Packaging material

- Remove all packaging material from the inside of the appliance.

Leftover tape residue. Always remove all packaging material, including adhesive tape, **before** switching on the appliance.

Opening and closing the Fridge Zone door

 Risk of damage due to incorrect handling. If the left Fridge Zone door is closed while the door pillar is open (see “Product description”), the pillar could get trapped and sustain damage. There is also a risk of damage to the cabinet front of the right Fridge Zone door. Ensure that the door pillar is always closed when closing the left Fridge Zone door.


Cleaning

Please refer to the relevant instructions in “Cleaning and care”.

- Clean the inside of the appliance and the accessories.

Choosing the right Door Assistant (Push2Open/Pull2Open)

The Door Assistant helps you to open the appliance door.

You can choose between the two Door Assistants Push2Open and Pull2Open (see “Selecting additional settings – Switching on the Door Assistant ”). The default Door Assistant is Push2Open.

- Select the Pull2Open Door Assistant if your appliance has a cabinet front with a handle.
- Select the Push2Open Door Assistant if your appliance has a handle-free cabinet front.

Adhering labels for the MasterFresh zone



- Stick on the labels as described in the following section **before** switching on the refrigeration appliance.

The labels will not stick to a cold surface. Furthermore, there should not be any dust or grease on the surface.

– Humidity-controlled compartment for fruit and vegetables



- Remove the label from the foil and stick it onto the frame of the humidity-controlled compartment (see “Product description”).

– Dry compartment for food which goes off quickly



- Remove the label from the foil and stick it onto the frame of the dry compartment (see “Product description”).

Tip: If you are not satisfied with the positioning of the labels, you can easily pull them off and stick them on again. In addition, they can be removed without leaving any residue.

Before first use

Inserting the Active AirClean filters

Your refrigeration appliance is equipped with 2 Active AirClean filters which neutralize unpleasant odors in the refrigerator section.

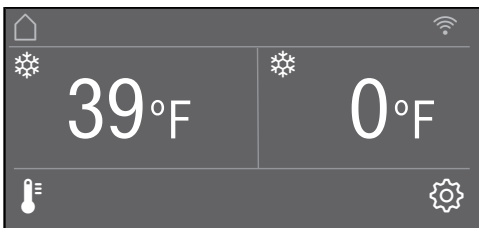
- Insert the Active AirClean filters supplied as described under “Cleaning and care – Replacing the Active AirClean filters”.

Operating the refrigeration appliance

The touch display can be scratched by pointed or sharp objects, e.g., pens.


Only touch the display with your fingers.


If your fingers are cold, the touch display may not react.




The sensor controls underneath the temperature display can be **selected** directly by touch; the symbols and text in or above the temperature display can only be **displayed**.


Settings mode

In Settings mode , you can select different refrigeration appliance functions and alter their settings to some extent (see “Selecting additional settings”).

- Touch the  sensor control to open Settings mode.
- Use the < and > sensor controls to select the function for which you wish to adjust the settings.
- Confirm your selection with *OK*.
- Adjust the settings using either the < and > sensor controls or the + and – sensor controls.
- Confirm your selection with *OK*.

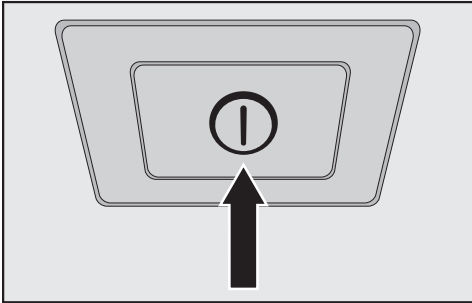
The setting with the **colored** background is always the **selected** setting; it can be confirmed directly with *OK*.

- Touch the  sensor control if you wish to switch to the previous menu level or terminate the process.

Every touch of the display is confirmed with an audible keypad tone. You can switch off this keypad tone in settings mode .

Starting up for the first time

- Open the appliance door.






- Turn the refrigeration appliance on by pressing the On/Off switch.

The On/Off switch is located below the display.

The refrigeration appliance will start to cool and the interior lighting will come on when the appliance door is opened.

Miele will appear in the refrigeration appliance display.

- When you turn the appliance on for the first time, you will be asked to configure the following settings:
 - Set the Language (if you accidentally select the wrong Language, return to Settings mode  and use the  symbol to change the language)
 - Set the Temperature Unit: °C (degrees Celsius) or °F (degrees Fahrenheit)
 - Set up Miele@home:
- Select Continue if you wish to set up Miele@home now (to do this, follow the instructions under “Selecting additional settings – Miele@home”).
- Select Skip if you would prefer to set up Miele@home later.

- Use the < and > sensor controls to select the right setting and select OK to confirm your selection.
- Touch the  sensor control if you want to return to the previous menu level.

Set-up Successful will appear on the display.

- Confirm the first use with OK.

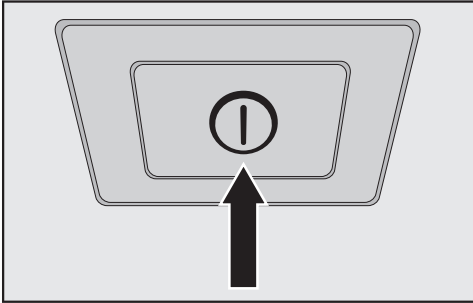
The main screen will appear on the display (see “Appliance description – Main screen”).

You cannot terminate the initial start-up process. The only way to terminate the process is to switch off the refrigeration appliance, though the process will continue when the appliance is switched back on.

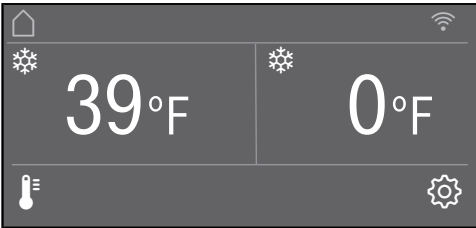
Switching on and off

Switching on the appliance

- Open the appliance door.



- Turn the appliance on by pressing the On/Off switch.



The appliance will start to cool and the interior lighting will come on when the appliance door is opened.

Miele will then appear on the main screen in the appliance display.

The message **Freezer temperature too high. Max. temperature °F** will appear in the display when the appliance is switched on for the first time and the selected freezer temperature has been reached.

An alarm tone sounds.

- Confirm the message with **OK**.

The message disappears from the display and the alarm tone stops.

However, the message may reappear on the display after a brief delay.

As soon as the selected freezer temperature has been reached, the message will disappear completely from the display and the alarm tone will stop.

To enable the temperature to get sufficiently cold inside the appliance, allow the appliance to run for a few hours before placing food in it. Do not place food in the Freezer Zone until it has reached the required coldness (at least 0°F/-18°C).

Switching off the appliance

- Turn the appliance off by pressing the On/Off switch.

The cooling and interior lighting are switched off.

Please note: The appliance is not disconnected from the power supply when the on/off switch is in the “off” position.


Turning off for longer periods of time


If the appliance is not going to be used for a longer period of time:


- turn the appliance off,
- unplug the appliance or disconnect the fuse,
- close the shut-off valve in the water supply line (approx. 3 hours before switching off the appliance to avoid the build-up of bacteria caused by stagnant water),
- empty the ice cube tray,
- clean the appliance,
- replace the water filter and
- leave the door ajar to air the appliance and avoid odors building up inside the appliance.

If, during a long absence, the appliance is switched off but not cleaned and the door is left shut, there is a danger of bacteria building up inside the appliance.

Selecting additional settings


In settings mode , certain settings can be adjusted and functions selected, allowing you to adjust the machine to suit your requirements.


The following section only describe the functions in settings mode  that require further explanation.

The door alarm and other warnings are automatically disabled when the appliance is in settings mode .

The display is unlocked briefly so you can adjust the setting as required. Closing the appliance door will reactivate the sensor lock.

Switching Keypad Lock / on or off

Switch Keypad Lock on if you wish to protect your refrigeration appliance from unwanted temperature changes or other unintentional adjustments in Settings mode .

- In Settings mode , use the < and > sensor controls to select Keypad Lock and select OK to confirm your selection.
- Use the < and > sensor controls to switch the sensor lock On or Off and select OK to confirm your selection.
- The keypad lock will not be activated until you close the appliance door.

Nothing will appear on the display to indicate that the keypad lock is switched on.

The message Press OK for 6 seconds to unlock will appear on the display if you select a sensor control while the sensor lock is switched on.

- Follow the instructions on the display.



Switching Eco Mode on or off


Eco Mode is useful when going on vacation, for example, if you do not wish to switch off the appliance completely or do not need a high degree of cooling. Energy consumption in Eco Mode is lower than in normal operation.

The Fridge Zone is thereby regulated to a temperature of 43°F (6°C), the dry compartment in the MasterFresh zone to approx. 37°F (3°C).


The Freezer Zone is regulated to a temperature of 3°F (-16°C).

Ice cube production is deactivated for as long as Eco Mode is switched on.

If the Automatic SuperCool  or SuperFrost  function is switched on, these will be automatically switched off when Eco Mode is selected.

- In settings mode , use the < and > arrow buttons to select Eco Mode and touch OK to confirm your selection.
- Use the < and > arrow keys to switch Eco Mode On or Off and confirm your selection with OK.

Only the changed temperatures in the display indicate that Eco Mode is switched on.

 Health risk caused by decomposing food.

The usability and quality of food in the Freezer Zone may deteriorate if the temperature remains above 0°F (-18°C) for an extended period.

Only ever switch on the Eco Mode function for a limited period.



When switching to Eco Mode, check that the food in the Freezer Zone is already properly frozen.

Do not freeze any new food while the Eco Mode function is switched on.

Selecting additional settings

Performing a Self Test


Perform a Self Test if you are concerned that your refrigeration appliance is not working properly and want to check if it is suffering from any problems.

- In Settings mode , use the < and > sensor controls to select Self Test and select OK to confirm your selection.
- Touch the  sensor control if you wish to terminate the process.

The Self Test starts and the appliance is checked for any faults or malfunctions.

- The message System restart will appear on the display if the Self Test does not discover any faults or malfunctions.
- If the Self Test does discover any faults or malfunctions, they are indicated as error messages on the display.

An alarm will also sound.

- If you find the alarm disruptive, you can switch it off in advance by touching the  sensor control.
- Make a note of the error message(s) displayed.
- Contact Miele Technical Service and inform them of the error message(s) on the display.
- Confirm the message with OK.

System restart will appear on the display.

The refrigeration appliance briefly switches off and then back on automatically.

Self test completed will appear on the display.

- Confirm the message with OK.



The main screen appears on the display again.

Switching Condensation Protection on and off

The door pillar of the upper left appliance door (see “Product description”) features integrated heating.

Switch the heating on if you notice condensation on the door pillar between the Fridge Zone doors or on the door seals.

Please note that energy consumption does increase slightly when the Condensation Protection is switched on.


- In settings mode , use the < and > arrow buttons to select Condensation Protection and select OK to confirm your selection.
- Touch the sensor control  if you wish to terminate the process.
- Use the < and > arrow buttons to select On or Off and touch OK to confirm your selection.

Switching on the Door Assistant

You can choose between the two Door Assistants Push2Open and Pull2Open. The default Door Assistant is Push2Open.

The Push2Open Door Assistant is suitable for cabinet fronts without handles. The door will then open automatically when you gently press against it.

The Pull2Open Door Assistant is suitable for cabinet fronts with handles. The appliance door can be opened easily with little force.



 Risk of damage if the appliance door is closed prematurely. When the Door Assistant is switched on, repeatedly closing the appliance door early can lead to damage or malfunctions. Refrain from holding onto or closing the appliance door while automatic door opening is still extended. If you have indeed closed the appliance door, leave it closed for 5 minutes. Automatic door opening resets itself.

Please note that the Door Assistant can only be used to control the **right** Fridge Zone door.

If the Push2Open function is activated in the case of a handle-free cabinet front, the right Fridge Zone door must be opened first before the left Fridge Zone door can be opened.



Selecting additional settings

Switching on Push2Open

- In Settings mode , use the < and > sensor controls to select Door Assistant and select *OK* to confirm your selection.
- Use the < and > sensor controls to select Mode and select *OK* to confirm your selection.
- Use the < and > sensor controls to select Push2Open and select *OK* to confirm your selection.
- Touch the  sensor control to return to the previous menu level.



– Adjusting the intensity

You can also adjust the intensity of the Push2Open function. The lower the set intensity, the less force required when you push against the appliance door.

- In Settings mode , use the < and > sensor controls to select Door Assistant and select *OK* to confirm your selection.
- In Settings mode , use the < and > sensor controls to select Intensity and select *OK* to confirm your selection.
- Use the < and > sensor controls to select the right intensity (Low, Medium, High) and select *OK* to confirm your selection.



– Adjusting the duration of the Auto-Close function

You can also adjust the duration for how long the appliance door will remain open until it closes automatically.

- In Settings mode , use the < and > sensor controls to select Door Assistant and select *OK* to confirm your selection.
- In Settings mode , use the < and > sensor controls to select AutoClose and select *OK* to confirm your selection.
- Use the + and – sensor controls to select the duration (5 to 30 seconds) and touch *OK* to confirm your selection.



To protect against inadvertent opening: if you do not pull the appliance door open, it will close again by itself after a duration defined by you.

Switching on Pull2Open



- In Settings mode , use the < and > sensor controls to select Door Assistant and select *OK* to confirm your selection.
- Use the < and > sensor controls to select Mode and select *OK* to confirm your selection.
- Use the < and > sensor controls to select Pull2Open and select *OK* to confirm your selection.
- Touch the  sensor control to return to the previous menu level.

– Adjusting the intensity

You can also adjust the intensity of the Pull2Open function. The lower the set intensity, the less force required when you pull the appliance door.

- In Settings mode , use the < and > sensor controls to select Door Assistant and select OK to confirm your selection.
- In Settings mode , use the < and > sensor controls to select Intensity and select OK to confirm your selection.
- Use the < and > sensor controls to select the right intensity (Low, Medium, High) and select OK to confirm your selection.

Switching off the Door Assistant

- In Settings mode , use the < and > sensor controls to select Door Assistant and select OK to confirm your selection.
- Use the < and > sensor controls to select Mode and select OK to confirm your selection.
- Use the < and > sensor controls to select Off and select OK to confirm your selection.
- Touch the  sensor control to return to the previous menu level.

Miele@home

Your refrigeration appliance is equipped with an integrated WiFi module.

Networking is deactivated at the factory.

To use this feature, you will need:

- A WiFi network.
- The Miele@mobile app.
- A Miele user account. The user account can be created via the Miele@mobile app.

The Miele@mobile app will guide you as you connect your appliance to your home WiFi network.

Once the refrigeration appliance is connected to your WiFi network, you can use the app to carry out the following activities, for example:

- Call up information on the operating status of your refrigeration appliance.
- Change the settings on your refrigeration appliance.

Connecting your refrigeration appliance to your WiFi network will increase energy consumption, even when the appliance is switched off.

Make sure that the signal of your WiFi network is sufficiently strong in the place where you want to set up your refrigeration appliance.

Selecting additional settings

Availability of the WiFi connection

The WiFi connection shares a frequency range with other appliances (including microwave ovens and remote control toys). This can cause sporadic or even complete connection failures. Therefore, the availability of featured functions cannot be guaranteed.

Miele@home availability

The ability to use the Miele@mobile app depends on the availability of the Miele@home service in your country.

The Miele@home service is not available in every country.

For information about availability, please visit www.miele.com.

Miele@mobile App

The Miele@mobile App is available to download free of charge from the Apple App Store® or from the Google Play Store™.



Connecting your appliance via the Miele@mobile app

You will also require the following to log in:

- the password to your WLAN network
- your refrigeration appliance's password

Your refrigeration appliance's password is its serial number, which can be found on the data plate.

The data plate can be found in the interior cabinet of the refrigeration appliance.

Miele Miele, Inc. 9 Independence Way, Princeton, NJ 08540, USA
Miele Limited, 161 Pang Valley Drive, VAUGHAN, ON L4K 4V8, CDN
Miele SA de CV, Arquimedes 43, Col. Polanco, Chapultepec, 11560, Cd. de México, México
www.miele.com / www.miele.ca / www.miele.com.mx

E-Nr.: MB30LI0305 / 01 FD: 9803 05 **78000001** Z-Nr.: 100001

Type KI KBM30USM KF: 2811 Vi 22803020C298000013

BOTTOM FREEZER / CONGELATEUR EN BAS / REFRIGERADOR-CONGELADOR
Refrigeration load / Réfrigération charge / Carga de refrigeración 4,00 A
Defrost heater load / Dégivrer chauffage charge / Deshielo 3,50 A / 350 W

Ice maker load / Distributeur de glaçons charge / Carga fabrica de hielo 0,40 A
Max inlet water pressure / la pression maximale de l'eau à l'entrée / Presión máxima de entrada de agua 0,8 Mpa / 8 bar / 116 psi
Min inlet water pressure / la pression minimale de l'eau à l'entrée / Presión mínima de entrada de agua 0,2 Mpa / 2 bar / 29 psi


Refrigerant / Réfrigérant / Refrigerante 134A Freezer / Congelador 3,17 oz (90 g)
Fridge / Refrigerador 6,17 oz (175 g)

110-120 V~ / ~60 Hz Mat.Nr.: 10745780 ⇐ 10,00 A

Made in Turkey
FABRIQUE EN TURQUIE
Hecho en Turquía

Para uso doméstico únicamente PROTOTYPE TESTING APPLIANCE PC

If your serial number is “78000001” for example, your password will be “78000001”.


- In Settings mode , use the < and > sensor controls to select Miele@home and select OK to confirm your selection.

Set up will appear on the display.

- Confirm your selection with OK.
- Use the < and > sensor controls to select via the App and select OK to confirm your selection.


Selecting additional settings

- Open the Miele@mobile app and follow the instructions in the app.
- As soon as your refrigeration appliance has been integrated into your WiFi network, the message *Connection successful* will appear on your refrigeration appliance's display.
- Confirm the process with *OK* again.

If the WLAN connection is active,  will appear on the display.

Connecting your refrigeration appliance via WPS

Your router must be equipped with the WPS function for this connection option.


- In Settings mode , use the < and > sensor controls to select Miele@home and select *OK* to confirm your selection.

Set up will appear on the display.

- Confirm your selection with *OK*.
- Use the < and > sensor controls to select via WPS and select *OK* to confirm your selection.
- Now follow the instructions on the display.
- Confirm the process with *OK*.


To be able to use the Miele@home functions, you also have to register your refrigeration appliance in the app.

- As soon as your refrigeration appliance has been integrated into your home network via WPS, the message *Connection successful* will appear on the display.
- Confirm the process with *OK* again.

If the WLAN connection is active,  will appear on the display.

Selecting additional settings


Deactivating Miele@home

- In Settings mode , use the < and > sensor controls to select Miele@home and select *OK* to confirm your selection.
- Use the < and > sensor controls to select *Deactivate* and select *OK* to confirm your selection.

Deactivation successful will appear on the display.


- Confirm the message with *OK*.

Your refrigeration appliance is now disconnected from your WLAN network.

The  symbol will go out on the display.

Activating Miele@home

If you have already activated Miele@home and then disconnected the connection, you will need to reactivate the connection.


- In Settings mode , use the < and > sensor controls to select Miele@home and select *OK* to confirm your selection.
- Use the < and > sensor controls to select *Activate* and select *OK* to confirm your selection.

Activation successful will appear on the display.





- Confirm the message with *OK*.

If the WLAN connection is active,  will appear on the display.

Checking the WLAN connection status


- In Settings mode , use the < and > sensor controls to select Miele@home and select *OK* to confirm your selection.
- Use the < and > sensor controls to select *Connection status* and select *OK* to confirm your selection.

Information about the WLAN connection status will then appear on the display:

-  connected: there is a strong connection
-  connected: there is an average connection
-  connected: there is a weak connection
-  disconnected

Setting up Miele@home again

If you have changed your WiFi network, you can set up Miele@home again for your appliance.

- In Settings mode , use the < and > sensor controls to select Miele@home and select *OK* to confirm your selection.
- Use the < and > sensor controls to select *Set up again* and select *OK* to confirm your selection.


Reset configuration? will appear on the display.

- Use the < and > sensor controls to select *Yes* or *No* and select *OK* to confirm your selection.

Selecting additional settings


Resetting the network configuration


Reset the refrigeration appliance's settings to the default settings when disposing of your refrigeration appliance, selling it, or putting a used refrigeration appliance into operation. This will reset the network configuration so that all personal data is deleted from the refrigeration appliance. This will also ensure that a previous owner is no longer able to access the refrigeration appliance.

- Reset the settings of the refrigeration appliance as described under “Resetting the settings to their default settings ”.

Switching off Demo Mode



Demo mode allows the appliance to be presented in the showroom **without the cooling system being switched on**. Do not activate this setting for domestic use.


If Demo mode has been switched on as a default setting,  will show on the display.

- In Settings mode , use the < and > sensor controls to select Demo Mode and select **OK** to confirm your selection.

Press **OK** for 4 seconds to deactivate  will appear on the display.

- Follow the instructions on the display.

The countdown  Demo Mode will deactivate in seconds.  appears on the display.

Demo Mode deactivated. The appliance will cool down.  will appear on the display.

- Confirm the message with **OK**.


The main screen appears on the display again.

Selecting additional settings

Resetting the settings to their default settings

You can reset the refrigeration appliance's settings to their default settings.

Reset the refrigeration appliance's settings to the default settings when disposing of your refrigeration appliance, selling it, or putting a used refrigeration appliance into operation. This will reset the network configuration so that all personal data is deleted from the refrigeration appliance. This will also ensure that a previous owner is no longer able to access the refrigeration appliance.

- In Settings mode , use the < and > sensor controls to select **Factory Default** and select **OK** to confirm your selection.
- Use the < and > sensor controls to select **Reset** and select **OK** to confirm your selection.

After a brief delay, **Settings reset** appears on the display.

- Confirm the message with **OK**.




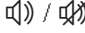







The initial commissioning process restarts (see “Before first use – Starting up for the first time”).

The refrigeration appliance's settings will be reset to the following values:





Selecting additional settings

Function

Default settings

	Language	English
	Display Brightness	Average value (4 of 7 segments)
	Color Scheme	Dark
	Buzzer Tones	Average value (4 of 7 segments)
	Keypad Tone	Average value (4 of 7 segments)
°F / °C	Temperature Unit	°Fahrenheit
	Keypad Lock	Switched off
	Eco Mode	Switched off
∞	Condensation Protection	Switched off
	Door Assistant	Push2open
@	Miele@home	Switched off
	Vacation	Switched off
	Ice Maker	Switched on
	Sabbath Mode	Switched off

Selecting additional settings

	Water Filter Display	Switched on
	Display Active AirClean Filter	Switched on
	Temperature in the Fridge Zone	37°F (4°C)
	Temperature in the dry compartment	32°F (0°C)
	Temperature in the Freezer Zone	0°F (-18°C)


Switching Vacation mode on or off

Tip: Vacation is useful when going on vacation, for example, if you do not wish to switch off the Fridge Zone completely or do not need a high degree of cooling.


Food which does not go off quickly can be stored in the appliance for some time at this moderate Fridge Zone temperature and energy consumption is lower than in normal operation.

This also prevents the build-up of odors and mold which can occur if the Fridge Zone is switched off and the door is closed.

The Fridge Zone is thereby regulated to a temperature of 57°F (14°C), remaining in operation whilst also saving energy.

The Freezer Zone remains switched on at the previously set temperature, and the SuperFrost  function can still be selected.

Ice production is deactivated for as long as Vacation mode is switched on.

 Health risk caused by decomposing food.


The usability and quality of food in the Fridge Zone may deteriorate if the temperature remains above 37°F (4°C) for an extended period.

Only ever switch on the Vacation function for a limited period.

Do not store any temperature-sensitive food which goes off easily such as fruit, vegetables, fish, meat, and dairy products during this time.

Selecting additional settings


Turning on Vacation mode

- In Settings mode  use the < and > arrow buttons to select Vacation and touch OK to confirm your selection.
- Use the < and > arrow buttons to select On and touch OK to confirm your selection.

57°F (14°C) is now displayed in the temperature display for the Fridge Zone.

The temperature in the Fridge Zone can only be adjusted again once Vacation mode has been turned off.

Turning off Vacation mode

- In Settings mode  use the < and > arrow buttons to select Vacation and touch OK to confirm your selection.
- Use the < and > arrow buttons to select Off and touch OK to confirm your selection.


The temperature you had set previously is now displayed in the temperature display for the Fridge Zone.


Switching Sabbath Mode on or off


The refrigeration appliance has a Sabbath Mode to support the observance of religious customs.

When Sabbath Mode is switched on, you cannot make any settings on your refrigeration appliance.

Ensure that the appliance door is properly closed, as visual and audible alarms are switched off in Sabbath Mode.

- In Settings mode  use the < and > sensor controls to select Sabbath Mode and select OK to confirm your selection.
- Use the < and > sensor controls to select On or Off and select OK to confirm your selection.

When Sabbath Mode is switched on,  will appear on the display and the display brightness will be reduced (the display does not change when the appliance door is closed).


When Sabbath Mode  is switched on, the following functions are switched off:

- Door Assistant
(for cabinet fronts without handles, the appliance door will have to be pulled from the bottom or side)
- Lighting
- All audible and visual signals,
- Temperature display
- The Automatic SuperCool function (if previously switched on)

Selecting additional settings

- SuperFrost function
(if previously switched on)
- Ice Maker
(if previously switched on)

You can still select:

- the sensor control for Settings mode  so that Sabbath Mode can be switched off

The Sabbath Mode function will switch itself off automatically after approx. 125 hours.




Danger of food poisoning!

Any power failure during Sabbath Mode will not be shown on the display. After a power failure, the appliance will restart in Sabbath Mode. When power is restored, no notification of the power failure will appear on the display.

If there is a power failure during Sabbath mode, check the quality of the food.


Switching on, switching off or resetting Water Filter Display

Depending on the quantity of ice cubes produced, the Water Filter Display  will remind you approximately every 6 months that the water filter has to be replaced (see “Water filter”, section “Changing the water filter”).

New water filters are available from Miele, from your dealer, or via the internet.

Selecting additional settings

Switching on Water Filter Display

- In settings mode , use the < and > arrow buttons to select **Water Filter Display** and select **OK** to confirm your selection.
- Use the < and > arrow buttons to select **On** and touch **OK** to confirm your selection.

The Water Filter Display has been switched on.


Switching off Water Filter Display

If you have replaced the Active charcoal filter with a Bypass filter, you can switch off the Water Filter Display.

Danger to health!

Do not switch off the Water Filter Display if you have installed an Active charcoal filter in the appliance. This is installed in the appliance prior to delivery.


Only switch off the Water Filter Display if an external water filter has been fitted to your household water supply in place of the Active charcoal filter. In this case, you should also use a Bypass filter in place of the Active charcoal filter (see “Optional accessories”).

- In settings mode , use the < and > arrow buttons to select **Water Filter Display** and select **OK** to confirm your selection.
- Use the < and > arrow buttons to select **Off** and touch **OK** to confirm your selection.

The Water Filter Display has been switched off.

Resetting Water Filter Display

After replacing the water filter (see “Water filter”, section “Changing the water filter”), you will have to reset the Water Filter Display.

- In settings mode , use the < and > arrow buttons to select **Water Filter Display** and select **OK** to confirm your selection.
- Use the < and > arrow buttons to select **Reset** and touch **OK** to confirm your selection.

The message **Replace the water filter** disappears from the display.

The reminder function for the next water filter change is activated.

Switching on, switching off, or resetting the Display Active AirClean Filter


The Display Active AirClean Filter will remind you approx. every 6 months that the Active AirClean filters have to be replaced. Change Active AirClean Filter will appear on the display.

See “Cleaning and care – Replacing the Active AirClean filters” for instructions on how to replace the Active AirClean filters.

The first time the Active AirClean filters need to be replaced, the display will remind you automatically; the reminder does not need to be switched on separately.

Switching on the Display Active AirClean Filter


If the Display Active AirClean Filter has been switched off once, it must be switched on again if required.

- In Settings mode , use the < and > sensor controls to select the Display Active AirClean Filter and select *OK* to confirm your selection.
- Use the < and > sensor controls to select *On* and select *OK* to confirm your selection.

The Display Active AirClean Filter has been switched on.

Switching off the Display Active AirClean Filter

If you do not require the Display Active AirClean Filter, you can switch it off.

- In Settings mode , use the < and > sensor controls to select the Display Active AirClean Filter and select *OK* to confirm your selection.
- Use the < and > sensor controls to select *Off* and select *OK* to confirm your selection.


The Display Active AirClean Filter has been switched off.

Selecting additional settings

Resetting the Display Active AirClean Filter

After you have replaced the Active AirClean filters, you must reset the Display Active AirClean Filter so that it can be displayed again after 6 months.

If you do not reset the display, it appears again and again.

- In Settings mode , use the < and > sensor controls to select the Display Active AirClean Filter and select *OK* to confirm your selection.
- Use the < and > sensor controls to select *Reset* and select *OK* to confirm your selection.

The Change Active AirClean Filter message disappears from the display.

The Display Active AirClean Filter to replace the Active AirClean filters has been activated.

The correct temperature

It is very important to set the correct temperature for storing food in the appliance. Bacteria will cause food which is not stored at the correct temperature to deteriorate rapidly. Temperature influences the growth rate of these bacteria. Reducing the temperature reduces their growth rate.

The temperature in the appliance will rise:

- the more often the appliance door is opened and the longer it is kept open
- the more food that is stored in it
- the warmer the food is that is being put into it
- the higher the ambient temperature surrounding the refrigeration appliance is. The appliance is designed for use within specific ambient temperatures (climate range). Do not use in ambient temperatures for which it is not designed

... in the Fridge Zone and in the MasterFresh zone

We recommend a refrigerator temperature of 37°F (4°C) in the Fridge Zone.

The temperature in the dry compartment of the MasterFresh zone is regulated automatically and maintained just above 32°F (0°C).

Automatic cold air circulation (DynaCool)


The fan automatically turns on when the cooling system for the refrigerator section turns on. It distributes the temperature in the refrigerator section to all areas evenly so that all the food inside will be chilled to about the same degree.

... in the Freezer Zone

To freeze fresh food and to store frozen food for a long time, a temperature of **0°F (-18°C)** is required. At this temperature the growth of bacteria is generally halted. As soon as the temperature rises above 14°F (-10°C), the bacteria become active in the food again so it cannot be kept as long. For this reason, partially defrosted or defrosted food must not be re-frozen. Food may be re-frozen once it has been cooked (boiled or roasted), as the high temperatures achieved when cooking destroy most bacteria.

The correct temperature

Setting the temperature

- Touch the  symbol for setting the temperature.

The previously set temperatures of the Fridge and Freezer Zones are displayed.

- Use the < and > arrow buttons to select the temperature zone for which you want to adjust the temperature and touch OK to confirm your selection.
- Set the temperature you want with the + and – sensor controls. Keeping your finger on the sensor control changes the temperature continuously.
- Confirm the temperature setting with OK or wait approx. 8 seconds after the last touch of the sensor. This temperature will be automatically adopted.

Tip: The newly set temperature can also be confirmed and adopted by closing the appliance door.

The temperature display always shows the **required** temperature.

If you have adjusted the temperature, **wait for approximately 6 hours if the appliance is not very full and for approximately 24 hours if the appliance is full** before checking the temperature display. It will take this long for an accurate reading to be given.

- If, after this time, the temperature is still too high or too low, adjust it again.

Temperature range

The temperature can be adjusted:

- From 36°F (2°C) to 46°F (8°C) in the Fridge Zone
- From 7°F (-14°C) to -11°F (-24°C) in the Freezer Zone

The temperature in the dry compartment of the MasterFresh zone is regulated automatically and is maintained just above 0°C (32°F) at a Fridge Zone temperature of 4°C (37°F).

Please note that if the temperature in the Fridge Zone is any warmer, the temperature in the dry compartment of the MasterFresh zone will rise as well.

The ambient temperature in the room and the installation location can affect the time it takes for the appliance to reach the lowest temperature.

If the ambient temperature is too high, the appliance may not reach the lowest temperature.

Using Automatic SuperCool and SuperFreeze

Automatic SuperCool function ❄️

The Automatic SuperCool function can be used to rapidly reduce the temperature in the refrigerator section to its lowest setting (depending on the room temperature).

Automatic SuperCool is particularly recommended for the rapid chilling of large amounts of fresh food or drink.

Switching on Automatic SuperCool

- Touch the 🌡️ sensor control to set the temperature.
- Touch the ❄️ sensor control to switch the Automatic SuperCool function on.

The ❄️ symbol is highlighted in color and the newly set temperature value of 36°F (2°C) appears on the display.

- Confirm the setting with *OK* or wait approx. 8 seconds after the last press of the button. The setting will be automatically adopted.

The ❄️ symbol is now illuminated on the display.

The appliance will now run at maximum power.

Switching off Automatic SuperCool

- Touch the 🌡️ sensor control to set the temperature.

The ❄️ symbol is highlighted in color and the temperature value of 36°F (2°C) is shown on the display.

- Touch the ❄️ sensor control to switch the Automatic SuperCool function off.

The ❄️ symbol is no longer highlighted in color and the previous temperature setting appears again on the display.

- Confirm the setting with *OK* or wait approx. 8 seconds after the last press of the button. The setting will be automatically adopted.

The ❄️ symbol disappears from the temperature display.

The refrigeration appliance will continue running at normal power.

If you do not turn off the Automatic SuperCool function, it will turn itself off automatically after approx. 6 hours. The appliance will then run at normal power again.

Tip: To save energy, the Automatic SuperCool function can be turned off once food and drinks are sufficiently chilled.

Using Automatic SuperCool and SuperFreeze

SuperFrost function

For best results, turn on the SuperFrost function before putting fresh food into the freezer.



Fresh food will be frozen quickly, so that the nutritional value, vitamin content, appearance, and taste are maintained.


Exceptions:

- Placing food in the freezer that is already frozen.
- When freezing up to 4.4 lb (2 kg) kg fresh food daily.


Turning on SuperFrost

SuperFrost should be turned on **4–6 hours before placing food in the freezer**. When freezing the **maximum amount of food**, the SuperFrost function should be switched on **24 hours beforehand**.

- Touch the  symbol for setting the temperature.
- Then touch the  symbol for turning on the SuperFrost function.


The  symbol is highlighted in color and the newly set temperature value of -22°F (-30°C) appears in the display.


- Confirm the setting with *OK* or wait approx. 8 seconds after the last press of the button. The setting will be automatically adopted.


The  symbol is now illuminated in the display.


The appliance will now run at maximum power.

Turning off SuperFrost


- Touch the  symbol for setting the temperature.

The  symbol is highlighted in color and the temperature value of -22°F (-30°C) is shown in the display.

- Touch the  symbol for turning off the SuperFrost function.

The  symbol is no longer highlighted in color and the previous temperature setting appears again in the display.

- Confirm the setting with *OK* or wait approx. 8 seconds after the last press of the button. The setting will be automatically adopted.

The  symbol disappears from the temperature display.

The appliance will then continue running at normal power.

If you do not turn off the SuperFrost function, it will turn itself off automatically after approx. 54 hours. The quantity of fresh food placed in the freezer will determine the duration before the SuperFrost function turns off.

The appliance will then run at normal power again.

Tip: To save energy, you can manually switch off the SuperFrost function once the freezer reaches a **constant** temperature of 0°F (-18°C) or colder. Monitor the temperature in the freezer.

Your appliance is equipped with a warning system to ensure that temperature increases in the freezer section do not go unnoticed and also prevents energy from being wasted when a door is left open.

Temperature alarm

The Freezer temperature too high. Max. temperature °C message appears in the display if the temperature in the Freezer Zone becomes too warm. An alarm will also sound.

The temperature display will show the highest temperature that was reached during the time the temperature rose.

The audio and visual signals are triggered, for example:

- When the appliance is switched on and the temperature in the appliance differs greatly from the set temperature
- If a lot of warm room air enters the freezer when food is being loaded, rearranged, or taken out
- When freezing large amounts of food at once
- When freezing fresh food which is still warm
- After an extended power failure

The alarm will be silenced and the fault message in the display will go out as soon as the reason for the alarm has been resolved.

If the temperature remains above 0°F (-18°C) for a long time, check that the frozen food has not started to defrost. If it has, use the food as soon as possible or cook it before freezing it again.

Turning the temperature alarm off early

If the alarm disturbs you, it can be turned off early.

- Touch the OK sensor button in the display.

The alarm stops and the message disappears from the display.

Temperature and door alarm

Door alarm

An alarm will sound if the appliance doors have been left open for longer than 2 minutes.

The *Close the door* message also appears in the display.

As soon as the doors are closed, the alarm will stop and the message in the display will go out.

Turning the door alarm off early

If the alarm disturbs you, it can be turned off early.

- Touch the *OK* sensor control in the display.

The alarm stops and the message disappears from the display.

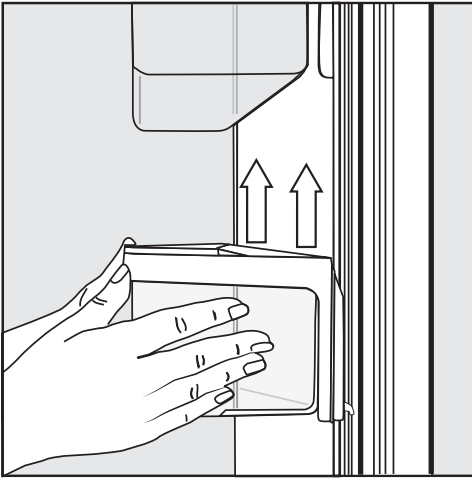
After a certain time, the alarm will sound again and the message will reappear in the display until the appliance doors have been closed.

Adjusting the interior fittings

Moving the shelves in the appliance door

Danger of injury!
Only move the shelves in the door when they are empty.

The shelves can be moved when loading and unloading and for cleaning or they can be removed completely:

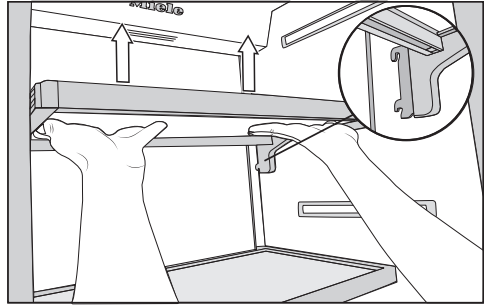


- Hold the shelf on the frame with both hands and lift it slightly so that it can be lifted with the catches on both sides over the guide.
- Remove the shelf or place it in the required position at the back with the catches in the guides at the same height.
- Make sure that the shelf is straight.

Tip: For the purposes of loading and unloading or cleaning, the clip-in containers in the shelves can be removed from their holders completely.

Moving the adjustable shelves

If necessary, the adjustable shelves can be removed or their height can be adjusted:



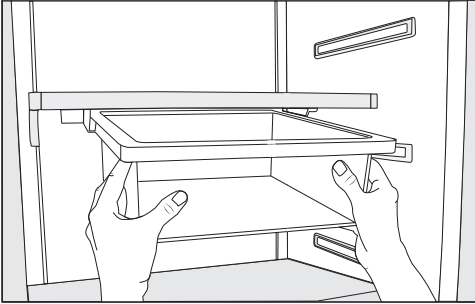
- Hold the shelf on both sides and raise it slightly so that it can be lifted with the catches over the guide at the back.
- Pull the shelf forwards.
- Remove the shelf or place it in the required position, with the catches engaged at the back.
- Make sure that the shelf is straight.

Adjusting the interior fittings

Removing the hanging drawer

The hanging drawer can be moved to the left or right if required.

To clean the hanging drawer, remove it as follows:



- Pull the hanging drawer straight out to lift it over the pull-out stops on both sides.
- To reinsert the hanging drawer, push it straight into the guide.

Moving the hanging drawer

The hanging drawer can be fixed under any shelf in the refrigerator section.

- Pull the hanging drawer out.
- To remove the holder for the hanging drawer, press against the retainers on both sides of the holder from the rear and pull the holder downwards diagonally from the frame.
- To replace the holder, press against the retainers on both sides of the holder from the rear and clamp it into the gap on the frame from below.
- Put the hanging drawer back in.

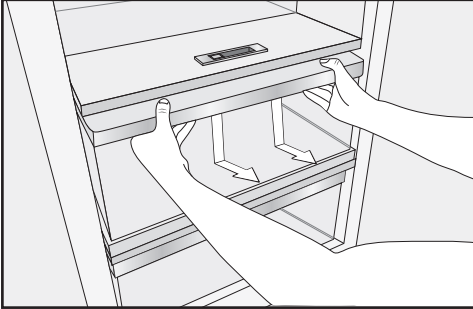
Tip: Alternatively, you can move the shelf together with the hanging drawer.

Adjusting the interior fittings

Removing compartments from the Fridge Zone

The compartments in the Fridge Zone are on telescopic runners, and can be removed for filling, emptying, or cleaning purposes:

- Pull the compartment out a little bit.



- Using both hands, grasp the compartment frame from below and push the compartment downwards so that the rear end disengages and lifts upwards.
- Pull the compartment forwards to remove it.

Push the runners back in again to avoid damaging them!

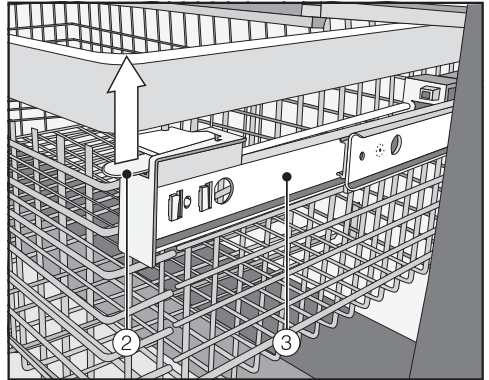
Be careful not to wash away the special lubricant in the telescopic runners during cleaning. Wipe the telescopic runners with a damp cloth to clean them.

- To reinsert the compartment, position it on the telescopic runners so that it clicks into place.

Removing the freezer baskets

The freezer baskets can also be removed if necessary (e.g., for cleaning).

- Open the lower appliance door as wide as possible.
- Pull the freezer basket out as far as it will go.



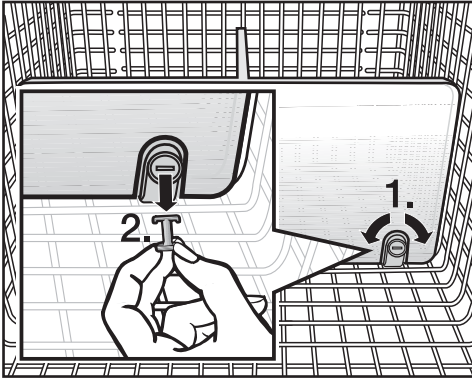
- Raise the snap fastening ② on both sides, unclip, and carefully lift the basket out.
- To replace it, pull the telescopic runners ③ out as far as they will go.
- Place the freezer basket back in again.
- Slide the basket all the way back in again until it engages in the snap fastening.

Adjusting the interior fittings

Removing the dividing panel (depending on the model)

The dividing panel in the freezer basket can be removed for cleaning:

The dividing panel is secured to the freezer basket with brackets.



- Pull the freezer basket out as far as it will go.
- To release the brackets, use a suitable object to turn the slots in the pegs to a horizontal position (1.).
- Remove the pegs from the brackets (2.).
- Pull the dividing panel upwards to remove it.
- To reinsert the partition wall, place the brackets in an upright position, and position the dividing panel into the brackets so that you hear it click into place.
- Insert the pegs into the brackets, and use a suitable object to turn the slots in the pegs into a vertical position.
- Push the freezer basket all the way back in.

Removing the ice cube tray

The ice cube tray can be removed for cleaning:


- Open the lower appliance door as wide as possible.
- Tilt the ice cube tray forwards and pull it up and out to remove it.

Ice cube production does not stop when the ice cube tray has been removed. Ice cubes can fall into the freezer basket underneath.


Only remove the ice cube tray for the shortest time possible or switch off the Ice Maker beforehand (see “Switching off the Ice Maker” in “Making ice cubes”).

Storing food in the refrigerator section


Always observe USDA food safety guidelines.

 Risk of fire from electrical appliances.

Operating electrical devices in the appliance can cause sparks to form. Do not operate any electrical devices inside the appliance.

 Risk of explosion due to flammable mixes of gases.

Electrical components can cause flammable mixes of gases to ignite. Do not store any explosive materials or products containing flammable propellants (e.g., spray cans) in the appliance. The spray cans in question can be identified by the contents printed on the can or by a flame symbol. Electrical components can cause escaping gases to ignite.

 Risk of damage due to greasy or oily foods.

If storing food which contains a lot of fat or oil in the appliance or the door, make sure that it does not come into contact with plastic components as this could cause stress cracks or break the plastic.

Make sure that no fat or oil leaks onto the plastic parts of the appliance.

Different storage zones

Due to natural air circulation, there are different temperature zones in the refrigerator section.

Cold, heavy air sinks to the lowest section of the refrigeration section. Make use of the different zones when placing food in the appliance.

Tip: To allow air to circulate efficiently, do not pack food too closely together in the refrigerator.

If there is insufficient air circulation, the cooling performance will decrease and energy consumption will increase.

Do not cover the fan in the rear wall of the appliance.

Tip: Do not store food in such a way that it touches the rear wall of the refrigerator section as it may freeze to the rear wall.

This appliance has DynamicCooling, which helps to keep an even temperature when the fan is running. When DynamicCooling is turned on, the difference between the various zones is less pronounced.

Storing food in the refrigerator section

Warmest area

The warmest area in the refrigerator section is in the top section of the door. Use this for storing butter so that it remains spreadable and cheese so that it retains its flavor.

Coldest area

The coldest area in the refrigerator section is inside the appliance at the back. The temperature in the dry compartment of the MasterFresh zone is even colder.

Use this area in the refrigerator section and in the dry compartment of the MasterFresh zone for all delicate and highly perishable food, e.g.:

- Fish, meat, poultry
- Cold cuts, ready-made meals
- Dishes or baked goods containing eggs or cream
- Fresh dough, cake mixtures, pizza dough, or pie dough
- Raw milk cheese and other raw milk products
- Pre-packed vegetables and other fresh food whose best-before date requires storage at a temperature of at least 39°F (4°C).

Food which is not suitable for storage in the refrigerator section

Not all food is suitable for refrigeration at temperatures below 41°F (5°C) because it is sensitive to cold. Depending on the type of food, the appearance, consistency, flavor, and/or vitamin content may be altered if stored at too cold a temperature.

Foods which are sensitive to cold include:

- Pineapples, avocados, bananas, pomegranates, mangoes, melons, papayas, passion fruit, citrus fruits such as lemons, oranges, mandarins, grapefruits
- Fruit (which is not yet ripe)
- Eggplants, cucumbers, potatoes, peppers, tomatoes, zucchini
- Hard cheeses (e.g., Parmesan)

Storing food in the refrigerator section

Notes on buying food

The freshness of food when first placed in the appliance is an important factor in determining how long it stays fresh, and how long it can be kept in the appliance.

Take into account the use-by date and the correct storage temperature.

Time out of the refrigerator, e.g., transporting food in a warm car, should be kept to a minimum.

Tip: Take a cool bag when shopping, and load food in the appliance as soon as possible.

Storing food correctly

Ensure that food stored in the refrigerator section is in packaging or covered properly (some exceptions apply in the MasterFresh zone). This will prevent food smells from affecting other food, food from drying out, and also any cross-contamination of bacteria. This is particularly important when storing meat products. Make sure that foods such as raw meat and fish in particular do not come into contact with other food.

By ensuring that the temperature settings are correct and by taking appropriate hygiene measures, you can prolong the storage life of your food considerably.

Storing food in the MasterFresh zone

MastertFresh zone

The MastertFresh zone provides ideal storage conditions for fruit, vegetables, fish, meat, and dairy products. Food stays fresh considerably longer while retaining both flavor and vitamins.

The MasterFresh zone comprises a humidity-controlled and a dry compartment.

- Depending on the moisture-regulator setting, the **humidity-controlled compartment** is particularly suitable for **storing fruit and vegetables**.
- The **dry compartment** is suitable for **storing perishable foods** such as fish, meat, and dairy products. Any type of food can in fact be stored in this compartment, as long as it is packaged.

Humidity-controlled compartment with moisture regulator



The humidity level in the humidity-controlled compartment can be regulated to approximately suit the food being stored. Food retains its own moisture if stored at a higher humidity and so does not dry out as quickly. This allows it to stay crisp and fresh for longer.

The moisture released by food in storage is kept within the humidity-controlled compartment drawer. The closer the air humidity in the humidity-controlled compartment is to the humidity content of the food, the crisper and fresher the food remains over a longer period, as the water content of the food is largely retained.

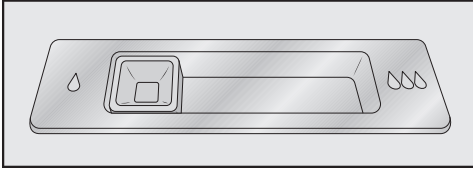
The moisture level greatly depends on the type and quantity of food being stored, if stored unwrapped.

The temperature in the humidity-controlled compartment is approximately equivalent to the temperature in the conventional refrigerator section.

Remember that the fresher the food when it is placed in the appliance, the longer it will stay fresh.

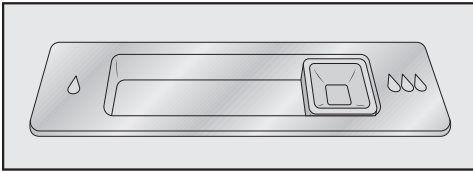
Storing food in the MasterFresh zone

The moisture regulator is used to regulate the amount of moisture in the humidity-controlled compartment with settings Δ to $\Delta\Delta\Delta$.



Position of the moisture regulator Δ = slightly increased humidity

Select this setting Δ if you store **very large quantities** of fruits and vegetables in the humidity-controlled compartment. The moisture regulator partially closes the vents in the compartment so that some of the moisture present is retained.



Position of the moisture regulator $\Delta\Delta\Delta$ = increased humidity

Select this setting $\Delta\Delta\Delta$ if you store **small to large quantities** of fruits and vegetables in the humidity-controlled compartment. The moisture regulator closes the vents in the compartment completely so that all of the moisture present is retained.

Tip: If the humidity level is too high and a lot of moisture has collected in the compartment, select the Δ setting. If the quantity of food being stored in this compartment is small, the moisture level may be too low. If you are only storing a small amount of food, wrap it in airtight packaging.

Increased moisture in the humidity-controlled compartment can, in some circumstances, cause a build-up of condensate.

Wipe off any condensate with a cloth.

Regulating the humidity level in the humidity-controlled compartment

- Slide the moisture regulator to the left Δ or right $\Delta\Delta\Delta$ depending on the setting required.

Storing food in the MasterFresh zone

Dry compartment with low temperature



The temperature in the dry compartment is maintained at 30 to 37°F (-1 to 3°C). While lower than the temperature in a standard refrigerator, this is the optimum temperature range for storing fresh food which is not sensitive to cold. The deterioration process is decelerated at this temperature range so food can be stored without loss of freshness for considerably longer than in a standard refrigerator.

The humidity level is similar to that in the conventional Fridge Zone.

The dry compartment is suitable for storing perishable foods such as:

- Fresh fish and shellfish
- Meat and poultry
- Deli salads
- Dairy products such as yogurt, cheese, cream, etc.
- Any type of food can in fact be stored in this compartment, as long as it is packaged.

Please note that foods rich in protein deteriorate faster than others. Shellfish, for example, deteriorates faster than fish, and fish deteriorates faster than meat.

For hygiene reasons, always keep these foods **covered or wrapped** in this compartment.

Take food out of the dry compartment approximately 30 to 60 minutes before using it. The aroma and taste do not fully develop until the food has reached room temperature.

	Max. load of the humidity-controlled compartment	Max. load of the dry compartment
KF 28x1 Vi /SF	23 lb (10.5 kg)	31 lb (14 kg)
KF 29x1 Vi /SF	30 lb (13.5 kg)	40 lb (18 kg)


Storing food in the MasterFresh zone

The following tips may help if you find that food you have stored does not keep well (for example, the food wilts or becomes withered after only a short storage time):

- Only place fresh food in the appliance as the initial condition of the food is crucial to maintaining freshness.
- Clean the MasterFresh zone before storing food in it.
- Very wet food should be dried off before storing it in the humidity-controlled compartment.
- Do not store food which is sensitive to cold in the dry compartment (see “Food which is not suitable for storing in the Fridge Zone”).
- Allocate the appropriate settings to food you wish to store (e.g., humid or dry storage).
- Store food loose in the humidity-controlled compartment.
A high humidity level in the humidity-controlled compartment is achieved by the moisture present in the food being stored.
If the humidity level is not high enough (e.g., too little food is being stored), it can be increased by placing a damp sponge in the drawer.
- If you think that the temperature in the dry compartment is too high or too low, adjust the temperature in the Fridge Zone (see “Setting the temperature” in “The correct temperature”). If ice crystals start to form on the floor of the dry compartment, increase the temperature as otherwise the cold temperature will damage the food.
- If too much water collects at the bottom of the humidity-controlled compartment, dry it with a cloth. If necessary, dry food before placing it in the appliance or place a rack at the bottom of the humidity-controlled compartment to allow water to drain off.

Freezing and storing food

Always observe USDA food safety guidelines.

 Risk of fire from electrical appliances.

Operating electrical devices in the appliance can cause sparks to form. Do not operate any electrical devices inside the appliance.

Maximum freezing capacity

To ensure that fresh food placed in the freezer freezes through to the core as quickly as possible, the maximum freezing capacity must not be exceeded. The maximum freezing capacity for freezing within a 24-hour period is given on the data plate: “Freezing capacitylbs/24 hrs.”

What happens when you freeze fresh food?

Fresh food should be frozen as quickly as possible so that the nutritional value of the food, its vitamin content, appearance and flavor are maintained.

Food which takes a long time to freeze will lose more water from its cells, which then shrink. During the defrosting process, only some of this water is reabsorbed by the cells. What this means in practice is that the food loses more moisture. You can see this in the large amount of water that collects around the food when it defrosts.

If food is frozen quickly, the cells have less time to lose moisture, so they shrink less. As there is not so much moisture loss, it is easier for the food to reabsorb it during the defrosting process, and very little water collects around the defrosted food.

Storing frozen food

Never re-freeze partially or fully defrosted food. Defrosted food must only be re-frozen after it has been cooked.

When buying frozen food to store in your freezer, make sure to check:

- that the packaging is not damaged
- the expiration date
- the temperature at which the frozen food is being stored in the store

The length of time food can be kept is reduced if it has been stored at a temperature warmer than 0°F (-18°C).

- Buy frozen food at the very end of your shopping trip.
- Store it in the freezer compartment as soon as possible.

Home freezing

Only freeze food that is fresh and in good condition.

Tips for home freezing

- The following types of food are **suitable for home freezing**:
fresh meat, poultry, game, fish, vegetables, herbs, fresh fruit, dairy products, baked goods, leftovers, egg yolks, egg whites, and a range of pre-cooked meals.
- The following types of food **are not suitable for freezing**:
lettuce, radishes, sour cream, mayonnaise, whole eggs in their shells, onions, whole raw apples and pears.
- To retain color, taste, aroma, and vitamin C, vegetables should be blanched before they are frozen. To do so, place them portion by portion into boiling water for 2–3 minutes. Then, remove and plunge the vegetables into ice-cold water to cool quickly. Leave the vegetables to drain.
- Lean meat freezes better than fatty meat and can be stored for considerably longer.
- Separate chops, steaks, cutlets, etc. with a sheet of plastic freezer film. to prevent them from freezing together in a block.
- Do not season raw food or blanched vegetables with herbs or salt before freezing. Cooked food should only be lightly seasoned. The flavor of some herbs intensifies when frozen.

Freezing and storing food

- Placing hot food or drink in the freezer causes food that is already frozen to partially thaw and increases energy consumption. Allow hot food and drink to cool down before placing it in the freezer.

Packaging food for freezing

- Freeze food in portions.

– Suitable packaging

- Plastic films
- Freezer bags
- Aluminum foil
- Freezer containers

– Unsuitable packaging

- Packing paper
- Parchment paper
- Cellophane
- Garbage bags
- Plastic shopping bags
- Remove as much air as possible from the packaging before sealing.
- Close the packaging tightly with
 - rubber bands,
 - bag clips,
 - string or bag ties, or
 - freezer tape.

Tip: Freezer bags and poly tubing may also be sealed using home heat sealing kits.

- Label the packaging with the contents and the date of freezing.

Before placing food in the freezer

- When freezing more than 4 lbs (2 kg) of fresh food, switch on the SuperFreeze function 24 hours before placing the food in the freezer (see “Using SuperCool and SuperFreeze - SuperFreeze function”).

This helps food which is already stored in the freezer to stay frozen.

Placing food in the Freezer Zone

Food to be frozen can be placed anywhere in the Freezer Zone.

Place large quantities of food in the large freezer basket.

- Place the food flat in the bottom of the basket so that it freezes through to the core as quickly as possible.
- When placing items in the Freezer Zone, ensure that the packaging and containers are dry to prevent them from freezing together or to the walls.
- Please follow the guidelines in the table below regarding recommended weights for the baskets:

	Upper freezer basket	Lower freezer basket
KF 28x1 Vi/SF	26 lb (12 kg)	61 lb (28 kg)
KF 29x1 Vi/SF	40 lb (18 kg)	79 lb (36 kg)

Unfrozen food should not touch frozen food, as this will cause the frozen food to begin to thaw.

Freezing and storing food

Storage time for frozen food

The storage life of food is very variable, even at a constant temperature of 0°F (-18°C). Decomposition processes also take place in frozen food, albeit at a very reduced speed. Fat can become rancid from contact with oxygen in the air, for example. This is why lean meat can be stored approx. twice as long as fatty meat.

The storage times quoted are guide values for the storage life of different food groups in the Freezer Zone.

Food group	Storage time (Months)
Ice cream	2 to 6
Bread, baked goods	2 to 6
Cheese	2 to 4
Fish, oily	1 to 2
Fish, lean	1 to 5
Sausage, ham	1 to 3
Game, pork	1 to 12
Poultry, beef	2 to 10
Vegetables, fruit	6 to 18
Herbs	6 to 10

Where the storage time given on the packaging differs, follow the advice on the packaging.

Defrosting frozen goods

Never re-freeze partially or fully defrosted food. Defrosted food may only be re-frozen after it has been cooked.

Frozen food can be defrosted in different ways:

- In a microwave
- In an oven using “Convection” or the “Defrost” setting
- At room temperature
- In the Fridge Zone (the cold given off by the frozen food helps to keep the other food cold)
- In a steam oven

Flat pieces of partially thawed meat or fish can be placed directly into a hot skillet.

Meat and poultry (e.g., hamburgers, chicken, fish) should not come into contact with other foods while defrosting. Catch the defrosting liquid and dispose of it carefully.

Fruit can be thawed at room temperature, either in the packaging or in a covered bowl.


Most vegetables can be cooked while still frozen. Just put straight into boiling water or hot grease. The cooking time is slightly less than that of fresh vegetables due to changes in the cell structure.

Cooling drinks quickly

When chilling drinks in the freezer, make sure that bottles are not left in for **more than one hour**. Otherwise they could burst.

Making ice cubes

For the automatic ice cube maker to operate, it must be connected to a water supply (see “Installation – Water supply”).

 Risk to health due to contaminated water.

Consuming polluted water can lead to illnesses.

The first 3 batches of ice cubes made after the ice cube maker is started up must not be consumed, as the water will have been used for the initial rinsing of the water supply line.

This applies to the initial commissioning as well as when using the appliance again after it has been turned off for a long while.


The Ice Maker can make up to 2.9 lb (1.3 kg) of ice cubes in 24 hours.

The amount of ice cubes made by the appliance depends on the temperature in the freezer. **The lower the temperature, the more ice cubes are produced.**

After the setting up the appliance for the first time, it can take up to 10 hours for the first ice cubes to drop out of the Ice Maker and collect in the tray.

Do not place any bottles or food into the Ice Maker to chill them quickly. The Ice Maker could become blocked and, as a result, be damaged.

Switching on Ice Maker

- Make sure that the ice cube tray is correctly located underneath the Ice Maker.
- In settings mode , use the < and > arrow buttons to select *Ice Maker* and select *OK* to confirm your selection.
- Use the < and > arrow buttons to select *On* and touch *OK* to confirm your selection.

Once the Freezer Zone has cooled down to its set temperature, the Ice Maker will fill with water.

As soon as the water is frozen, the ice cubes drop out of the Ice Maker into the ice cube tray.

Ice cube production is halted automatically as soon as the ice cube tray is full.


Empty the ice cube tray at regular intervals, or at least if you have not produced any ice for more than a week. This will ensure that you always have fresh ice and the ice cubes will not form a clump.

Ice cube production does not stop when the ice cube tray has been removed. Ice cubes can fall into the freezer basket underneath.


Only remove the ice cube tray **for the shortest possible time** or switch off the Ice Maker before removing it.

Switching off Ice Maker

The Ice Maker can be turned off independently of the Freezer Zone if you do not want to make any ice cubes.

- Close the shut-off valve in the water supply line (approx. 3 hours before switching off the appliance to avoid the build-up of bacteria caused by stagnant water).
- In settings mode , use the < and > arrow buttons to select Ice Maker and select *OK* to confirm your selection.
- Use the < and > arrow buttons to select *Off* and touch *OK* to confirm your selection.

Automatic defrosting

 **WARNING! DANGER** of injury and damage!

Do not use any mechanical or other types of aids which are not recommended by the manufacturer to accelerate the defrosting process.

Refrigerator section and MasterFresh drawer

The refrigerator section and the MasterFresh drawer defrost automatically.


Condensate and frost can build up on the back wall of the refrigerator section and the MasterFresh drawer while in use. You do not need to remove this, as it will defrost and evaporate automatically with the warmth generated by the appliance.

Freezer Zone


The appliance is equipped with a “NoFrost” system. The freezer defrosts automatically.

The moisture generated in the appliance collects on the condenser and is automatically defrosted and evaporates periodically.

This automatic defrosting system enables the freezer to remain permanently ice-free. However, the food stored in the freezer will not defrost.


 **WARNING! DANGER** of electric shock!

Unplug the appliance or trip the circuit breaker.

 **WARNING! Fire hazard!**

Do not damage the coolant pipework.

Do not let water get into the electronic or the lighting.

 **Risk of damage** due to moisture penetration.

The steam from a steam cleaner can damage plastic and electrical components.

Do not use a steam cleaner to clean the refrigeration appliance.

The data plate located inside the interior cabinet of the refrigeration appliance must not be removed. It contains information which is required in the event of a service call.

Cleaning agents

To avoid damaging the surfaces of your appliance, **do not** use:

- cleaning agents containing soda, ammonia, acids, or chloride
- cleaning agents containing lime scale remover
- abrasive cleaning agents, such as scouring powder, scouring liquid, or pumice stones
- cleaning agents containing solvents
- stainless steel cleaning agents
- dishwasher cleaner
- oven sprays
- glass cleaner
- hard, abrasive sponges and brushes, such as pot scrubbers
- eraser sponges
- sharp metal scrapers

Cleaning and conditioning agents used in the interior cabinet of the refrigeration appliance must be food safe.

We recommend using lukewarm water and a little liquid dish soap for cleaning.

Cleaning and care

Before cleaning the appliance

- Turn the appliance off completely by pressing the On/Off switch.
- Unplug the appliance or switch off the fuse.
- Take any food out of the appliance and store it in a cool place.
- Take out all other removable parts for cleaning (see “Adjusting the interior fittings”).

Interior and accessories

Clean the appliance regularly, or at least once a month.

Clean up any spills, stains, or food immediately. Do not allow them to dry and stick to the appliance.

- Clean the appliance with a solution of lukewarm water and liquid dish soap. Rinse all parts by hand. Do not wash in a dishwasher.
- After cleaning, wipe with clean water and dry with a soft cloth.
- Leave the door open to air the appliance sufficiently for a short while and to prevent odor buildup.


Aluminum frames

The frames to the shelves inside the appliance and the door shelves are partially made from aluminum.

Aluminum is a dynamic material. The reflection and appearance of aluminum changes in different lights and environments and depending on the angle you observe it from. It is also susceptible to scratching.

The aluminum frames may become discolored or damaged if soiling is left on for too long. Remove any soiling immediately.

Cleaning the door seal

 Risk of damage as a result of incorrect cleaning.

If you treat the door seal with oils or grease, it can become porous.

Do not use any oils or grease on the door seal.

- The door seals should be cleaned regularly with clean water, and then wiped dry with a soft cloth.

Cleaning the ventilation gaps

A build-up of dust will increase the energy consumption of the appliance.

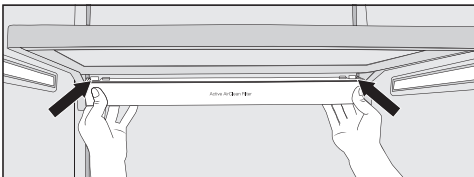
- The ventilation gaps should be cleaned on a regular basis with a brush or vacuum cleaner (you could use a Miele Vacuum Cleaner dusting brush, for example).

Replacing the Active AirClean filters

The Active AirClean filters in the refrigerator section need to be replaced approx. every 6 months.

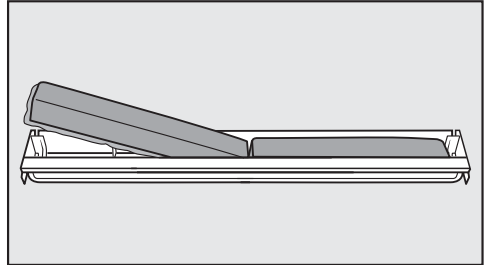
Change Active AirClean Filter will appear on the display.

- Confirm the message with *OK*.



- To remove the holder for the Active AirClean filters, press against the retainers on both sides of the holder

from the rear and pull the holder downwards diagonally from the frame.



- Remove the used Active AirClean filters and place the new Active AirClean filters with the surrounding edge pointing downwards in the holder.
- To replace the holder, press against the retainers on both sides of the holder from the rear and clamp it into the gap on the frame from below.

The holder can be fixed under any shelf in the refrigerator section.

Once the Active AirClean filters have been replaced, the Active AirClean filter display  must be reset using Settings mode  on the display (see “Selecting additional settings – Resetting the Display Active AirClean Filter ”).

New Active AirClean filters (both with and without a holder) can be obtained from Miele Technical Service, your local dealer, or via the Miele website.

After cleaning

- Replace all shelves and accessories in the Fridge Zone.
- Reconnect to the power supply and switch the appliance back on.

Cleaning and care

- Place food in the Fridge Zone and close the door.
- Switch on the SuperFrost function for a while so that the Freezer Zone can cool down quickly.
- Once the Freezer Zone has reached the required temperature, place the freezer baskets containing the food to be frozen back in the Freezer Zone.
- Switch off the SuperFrost function as soon as the temperature in the Freezer Zone is a constant 0°F (-18°C) or colder.

The appliance is supplied with a water filter (Active charcoal filter) that filters supply water for making ice cubes.

The Active charcoal filter improves the taste and smell of the ice cubes by removing chlorine and other substances from supply water.

To ensure the quality of the ice cubes remains high, it is essential to change the Active charcoal filter regularly.

Please note:

- After inserting a new water filter, dispose of all ice cubes produced in the next 24 hours following the change.
- If you have not used the appliance or the ice maker much in the last few weeks, or if the ice cubes smell unpleasant, install a new water filter.
- If an external water filter is fitted to your household water supply, use a Bypass filter in place of an Active charcoal filter.
In this case, you can switch off the Water Filter Display (see “Selecting additional settings”, section “Switching off the Water Filter Display”).


New water filters (Active charcoal filters or Bypass filters) are available from Miele Technical Service, from your dealer, or via the internet.

The reminder to change the Active charcoal filter is issued approx. every 6 months, depending on the quantity of ice cubes produced.

A reminder to change the Active charcoal filter appears in the display: Replace the water filter.

An audible signal also sounds.

- Confirm the message with **OK**.
- Change the water filter.

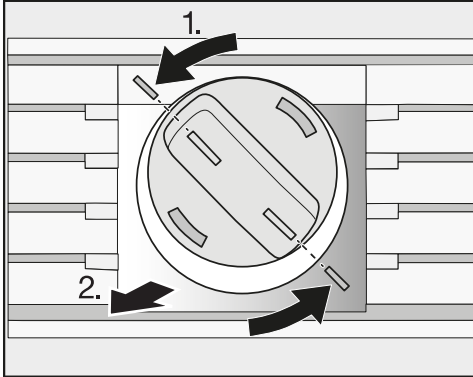
The first time the Active charcoal filter  needs to be changed, the display will remind you automatically; the reminder does not need to be switched on separately.

The reminder to change the Active charcoal filter keeps appearing until you change the Active charcoal filter and reset the Water Filter Display (see “Switching on, switching off”, or resetting the Water Filter Display” in “Selecting additional settings”).

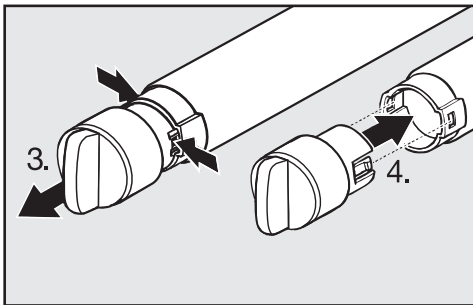
Water filter

Changing the water filter

Air in the system can cause water to gush out and the filter to spring out when it is removed. Take great care when changing the water filter.

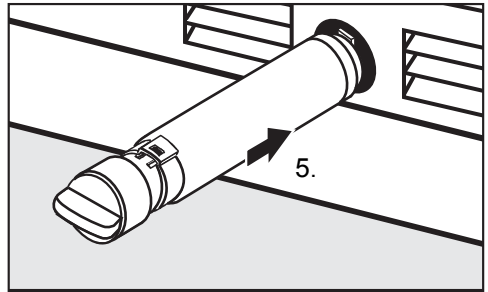


- Turn the cap of the filter cartridge **counter-clockwise** as far as the marker 1.).
- Pull the used filter cartridge out of the filter opening 2.).
- Remove the safety cap from the new filter cartridge.

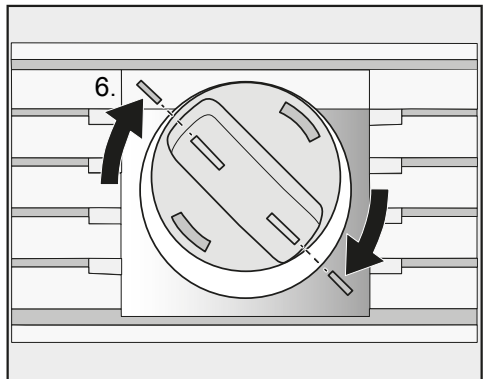


- Remove the cap from the old filter cartridge 3.) and place it onto the new filter cartridge 4.).
- Drain the water from the old filter cartridge.

Tip: The old filter cartridge can be disposed of with household trash.



- Slide the new filter cartridge as far as it will go into the filter opening 5.), making sure the cap is horizontal.





- Turn the cap of the filter cartridge **clockwise** as far as the marker 6.).


⚠ Risk of damage caused by water gushing out.

If the filter cartridge is not fitted correctly, there is a risk of water leaking out of the appliance.

When fitting the filter cartridge, be sure to turn it as far as the marker.

Once you have changed the water filter, the Water Filter Display  remains lit up.

- Now reset the Water Filter Display using Settings mode  in the display (see “Selecting additional settings”, section “Resetting Water Filter Display”).

When it is time to change the water filter again, the reminder for the Water Filter Display  will appear in the display.

After inserting a new water filter, dispose of all ice cubes produced in the next 24 hours following the change.

Using an external water filter

If an external water filter is fitted to your household water supply, use a Bypass water filter in place of an Active charcoal filter.

In this case, you can switch off the Water Filter Display (see “Selecting additional settings”, section “Switching off the Water Filter Display”).

Water filter

Performance Data Sheet

Model: Miele 07134220

Use Replacement Cartridge 07134220

The concentration of the indicated substances in water entering the system was reduced to a concentration less than or equal to the permissible limit for water leaving the system as specified in NSF/ANSI Standard 42 and Standard 53.



System tested and certified by NSF International against NSF/ANSI Standard 42 and Standard 53 for the reduction of the claims specified on the Performance Data Sheet.

Capacity 739.68 Gallons (2800 Liters)
Contaminant Reduction Determined by NSF testing.

Substance Reduction	Average Influent	NSF specified Challenge Concentration	Avg % Reduction	Average Product Water Concentration	Max Permissible Product Water Concentration	NSF Reduction Requirements	NSF Test Report
Chlorine Taste and Odor	2.1 mg/L	2.0 mg/L ± 10%	97.6%	0.05 mg/L	N/A	≥ 50%	J-00121313
Nominal Particulate Class I, ≥0.5 to < 1.0 µm	9,100,000 pts/mL	At least 10,000 particles/mL	98.8%	111,817 pts/ml	N/A	≥85%	J-00099871
Cyst*	170,000 cysts/L	Minimum 50,000 cysts/L	99.99%	0.001 cyst/L	N/A	≥99.95%	J-00109715

* Based on the use of *Cryptosporidium parvum* oocysts

FOR RESIDENTIAL USE ONLY

Application Guidelines/Water Supply Parameters

Service Flow	0.75 gpm (2.83 lpm)
Water Supply	Potable Water
Water Pressure	30 - 120 psi (207 - 827 kPa)
Water Temperature	33°F - 100°F (0.6°C - 38°C)

It is essential that the manufacturer's recommended installation, maintenance and filter replacement requirements be carried out for the product to perform as advertised. See Installation Manual for Warranty information.

Note: While the testing was performed under standard laboratory conditions, actual performance may vary.

Replacement Cartridge: 07622430

For estimated costs of replacement elements please contact your local dealer, go to www.miele-shop.com or call Tel. 0180 31 31 340 (€ 0,09/Min.).

3M is a trademark of 3M Company used under license.

NSF is a trademark of NSF International.

© 2017 3M Company. All rights reserved.

34-8721-1445-8

WARNING

Read entire manual. Failure to follow all guides and rules could cause personal injury or property damage.

- Check with your local public works department for plumbing codes. You must follow their guidelines as you install the water filtration system.
- Your water filtration system will withstand up to 120 pounds per square inch (psi) water pressure. If your water supply pressure is higher than 80 psi, install a pressure reducing valve before installing the water filtration system.

To reduce the risk associated with the ingestion of contaminants:

- DO NOT use with water that is microbiologically unsafe or of unknown quality without adequate disinfection before or after the system. Systems certified for cyst reduction may be used on disinfected water that may contain filterable cysts.

NOTICE

To reduce the risk associated with water leakage or flooding:

- Read and follow Use Instructions before installation and use of this system.
- Change the disposable filter cartridge every six months or sooner if you observe a noticeable reduction in water flow rate.
- Failure to replace the disposable filter cartridge at recommended intervals may lead to reduced filter performance and failure of the filter, causing property damage from water leakage or flooding.
- For questions or concerns, please contact Customer Service at Tel. 0180 31 31 340 (€0,09/Min.).

Manufactured by:
3M Purification Inc.
3130 Lexington Avenue South,
Eagan, MN 55121

Lead-free certificate



This product is tested and certified by WQA against NSF/ANSI 372 for “lead free” compliance.

Miele & Cie. KG
Carl-Miele-Strasse 29
D-33332 Gütersloh

Frequently Asked Questions

With the help of the following guide minor faults in the performance of the machine, some of which may result from incorrect operation, can be remedied without contacting the Service Department.

This guide may help you to find the reason for the fault, and how to correct it.





To prevent cold from escaping, open the appliance doors as little as possible until the fault has been corrected.

Problem	Possible cause and solution
If you are concerned that your appliance is not working properly, you can perform a Self Test. Your appliance will be checked for any faults or malfunctions.	Any errors identified during the Self Test are shown on the display. <ul style="list-style-type: none">■ Perform a Self Test (see “Additional settings”, section “Performing a Self Test <input checked="" type="checkbox"/>”).■ Contact Technical Service and inform them of the error message(s) on the display.
The appliance is not getting cold and the interior lighting does not come on when the appliance door is opened.	The appliance has not been turned on. <ul style="list-style-type: none">■ Turn the appliance on. The temperature appears in the display.
	The plug is not properly plugged into the electrical outlet. <ul style="list-style-type: none">■ Insert the plug into the outlet.
	The fuse has tripped. There could be a fault with the appliance, the household electrical wiring, or another appliance. <ul style="list-style-type: none">■ Contact a technician or the Technical Service department.


Frequently Asked Questions

Problem	Possible cause and solution
<p>The compressor is switching on more frequently and for longer periods of time, so the temperature in the appliance is dropping.</p>	<p>The ventilation slits in the cabinetry have been covered or become too dusty.</p> <ul style="list-style-type: none"> ■ Do not block the ventilation slits. ■ Clean the ventilation slits on a regular basis.
	<p>The doors have been opened too frequently, or a large amount of fresh food has been put in at once for storage or freezing.</p> <ul style="list-style-type: none"> ■ Only open the doors when necessary and for as short a time as possible. <p>After a while the temperature will return to normal by itself.</p>
	<p>The doors are not properly closed. A thick layer of ice may have formed in the freezer.</p> <ul style="list-style-type: none"> ■ Close the appliance doors. <p>After a while the temperature will return to normal by itself.</p> <p>If a thick layer of ice has formed, it will decrease the cooling capacity and increase the energy consumption.</p> <ul style="list-style-type: none"> ■ Defrost the appliance and clean it.
	<p>The room is too warm. The higher the room temperature, the longer the compressor has to run.</p> <ul style="list-style-type: none"> ■ See “Installation location”.
	<p>The appliance was not properly installed in the niche.</p> <ul style="list-style-type: none"> ■ See “Installation - Building in the appliance”.
	<p>The compressor is switching on more frequently and for longer periods of time, so the temperature in the appliance is dropping.</p>
<p>A large amount of food is being frozen at once.</p> <ul style="list-style-type: none"> ■ See “Freezing and storing food”. 	
<p>The SuperCool function is still switched on.</p> <ul style="list-style-type: none"> ■ To save energy, you can turn SuperCool off yourself. 	
<p>The SuperFreeze function is still switched on.</p> <ul style="list-style-type: none"> ■ You can turn off the Automatic SuperCool function earlier to save energy. 	

Frequently Asked Questions

Problem	Possible cause and solution
<p>The compressor comes on less and less often and for shorter periods of time. The temperature in the appliance rises.</p>	<p>This is not a fault. The temperature setting is too high.</p> <ul style="list-style-type: none"> ■ Correct the temperature setting. ■ Check the temperature again after 24 hours. <p>The food begins to thaw. The ambient temperature is too low for this appliance. If the ambient temperature is too low, the compressor will run less frequently. This may cause the freezer to become too warm.</p> <ul style="list-style-type: none"> ■ See the information in the section on “Installation – Installation location”. ■ Increase the ambient temperature.
<p>The compressor runs continuously.</p>	<p>Not a fault. To save energy, the compressor runs at a lower speed when less cooling is required. This increases the compressor run time.</p>
<p>Food has frozen together or to the wall.</p>	<p>The food packaging was not dry when loaded in the freezer.</p> <ul style="list-style-type: none"> ■ Use a blunt instrument (such as a spoon handle) to carefully pry them apart.
<p>An alarm sounds.</p>	<p>The appliance doors have been open for longer than approx. 2 minutes.</p> <ul style="list-style-type: none"> ■ Close the appliance doors.
<p>No alarm sounds despite the appliance door being open.</p>	<p>You have switched off the audible signal.</p> <ul style="list-style-type: none"> ■ Switch the audible signal back on using Settings mode . <p>The Sabbath Mode  function is switched on: the temperature display is dark and the  symbol is shown on the display.</p> <ul style="list-style-type: none"> ■ You can switch off Sabbath mode at any time (see “Selecting additional settings – Switching Sabbath Mode  on or off”).
<p>The appliance door cannot be opened.</p>	<p>The Pull2Open Door Assistant is switched on but the appliance has a handle-free cabinet front.</p> <ul style="list-style-type: none"> ■ For handle-free cabinet fronts, switch on the Push2Open Door Assistant (see “Switching on the Door Assistant” in “Selecting additional settings”).




Frequently Asked Questions

Problem	Possible cause and solution
<p>The appliance door cannot be opened.</p>	<p>The Pull2Open Door Assistant is switched on but the appliance has a handle-free cabinet front.</p> <ul style="list-style-type: none"> ■ For handle-free cabinet fronts, switch on the Push2Open Door Assistant (see “Switching on the Door Assistant” in “Selecting additional settings”).
<p>The appliance door cannot be opened when Sabbath Mode  is switched on.</p>	<p>The Push2Open Door Assistant is switched on at the same time as Sabbath Mode.</p> <ul style="list-style-type: none"> ■ When Sabbath Mode is switched on, the Door Assistant is deactivated. ■ Pull the appliance door open from below or from the side.
<p>The left Fridge Zone door will not open.</p>	<p>The Push2Open Door Assistant is switched on but only the right Fridge Zone door can be controlled with the Door Assistant.</p> <ul style="list-style-type: none"> ■ Not a fault. If the Push2Open function is activated in the case of a handle-free cabinet front, the right Fridge Zone door must be opened first before the left Fridge Zone door can be opened.
<p>The storage life of the food stored in the dry compartment of the MasterFresh zone is reduced.</p>	<p>The temperature in the dry compartment of the MasterFresh zone is possibly too high. The temperature in the dry compartment is controlled by the set temperature in the Fridge Zone.</p> <ul style="list-style-type: none"> ■ Lower the temperature in the Fridge Zone (see “Setting the temperature” in “The correct temperature”).
<p>There is condensation on the door pillar between the Fridge Zone doors or on the door seals.</p>	<p>The combination of high air humidity and low ambient temperature can result in condensation forming on the door pillar between the Fridge Zone doors or on the door seals.</p> <ul style="list-style-type: none"> ■ Ensure lower humidity or a higher temperature in the room. ■ Switch the Condensation Protection on (see “Switching Condensation Protection on or off” in “Selecting additional settings”).






Frequently Asked Questions

Problem	Possible cause and solution
The left Fridge Zone door and the door pill feel warm.	<p>Not a fault. The left-hand appliance door features integrated heating. Switching the heating on prevents condensation on the door pillar and on the door seals.</p> <ul style="list-style-type: none">■ If required, you can switch off the heating (see “Switching Condensation Protection on and off” in “Selecting additional settings”).

Messages in the display

Message	Possible cause and solution
<p>The warning sounds and the message Freezer temperature too high. Max. temperature °F appears in the display.</p>	<p>The temperature in the appliance has risen significantly.</p> <p>This could be due to, for example:</p> <ul style="list-style-type: none"> – the appliance door being opened too often, or being left open, – a large amount of food being frozen at once, – an extended power failure <p>■ If you find the alarm disruptive, you can switch it off in advance by touching the sensor control OK.</p> <p>The alarm will stop.</p> <p>■ Rectify the cause of the alarm.</p> <p>The alarm stops and the error message disappears from the display.</p> <p>The temperature display will show the highest temperature that was reached during the time the temperature in the Freezer Zone rose.</p> <ul style="list-style-type: none"> ■ Depending on the temperature displayed, you should check whether food in the freezer has started to thaw or has defrosted. If it has, cook it before freezing it again. ■ In the event of a power failure, check whether there are any ice cubes in the ice cube tray and dispose of these. Otherwise, the ice cubes will freeze together and can damage the ice cube container when they expand.
<p>The warning sounds and the message Close the door appears on the display.</p>	<p>The appliance door is open.</p> <ul style="list-style-type: none"> ■ Close the appliance door. ■ If you wish to turn the alarm off early, touch the sensor control OK on the display. <p>The alarm will stop.</p>
<p>The temperature display is dark and the  symbol is shown on the display.</p>	<p>The Sabbath Mode  function is switched on. The interior lighting is switched off and the refrigeration appliance is cooling down.</p> <ul style="list-style-type: none"> ■ You can switch off Sabbath mode at any time (see “Selecting additional Sabb settings – Switching Sabbath Mode  on or off”).

Frequently Asked Questions

Message	Possible cause and solution
<p>“F Please contact Miele Technical Service.” appears in the display and an alarm sounds.</p>	<p>There is a fault.</p> <ul style="list-style-type: none"> ■ Make a note of the fault message if necessary. ■ Contact Technical Service. ■ To turn the alarm off, touch the  symbol. <p>The error message does not disappear from the display until the error has been rectified.</p>
<p>■ is shown in the display. The machine does not get cold, but the machine controls are working.</p>	<p>The voltage level is too high/low.</p> <ul style="list-style-type: none"> ■ Observe the connection data under “Electrical connections”. ■ Contact Technical Service if necessary. ■ To turn the alarm off, touch the  symbol. <p>The error message does not disappear from the display until the error has been rectified.</p>
	<p>Demo Mode  is switched on. Demo mode allows the appliance to be presented in the showroom without the cooling system being turned on. Do not activate this setting for domestic use.</p> <ul style="list-style-type: none"> ■ Switch off Demo mode  (see “Selecting additional settings”, section “Switching off Demo Mode ”).

Frequently Asked Questions





Problems with the ice cube maker

Problem	Possible cause and solution
The Ice Maker is not producing any ice cubes.	<p>The appliance and/or the Ice Maker is not turned on.</p> <ul style="list-style-type: none">■ Turn on the appliance and/or the Ice Maker.■ Check whether the water filter has been inserted correctly (see “Water filter”, section “Changing the water filter”).
	<p>The plumbed water connection was not installed.</p> <ul style="list-style-type: none">■ Make sure that the plumbed water connection was installed correctly.
	<p>The water intake is not open or has not been vented.</p> <ul style="list-style-type: none">■ Open the water intake.■ Check that the water supply has been vented.
	<p>There is a kink in the water hose.</p> <ul style="list-style-type: none">■ Check the water hose and replace it, if necessary.
	<p>The temperature in the Freezer Zone is too high.</p> <ul style="list-style-type: none">■ Select a lower temperature.
	<p>The appliance door has been opened too frequently, causing the compressor to turn on more often and the Ice Maker has iced up.</p> <ul style="list-style-type: none">■ Only open the door when necessary and for as short a time as possible.
	<p>The water pressure is too low.</p> <ul style="list-style-type: none">■ Check that the water pressure is between 29 and 116 psi (2 and 8 bar).■ Check if an incorrect valve has been installed, making the pressure too low. <p>Remember that it can take up to 10 hours for the production of ice cubes to commence.</p>
The ice cube maker is only producing small ice cubes.	<p>The size of the ice cubes depends on the quantity of water supplied. You are able to set this quantity as required.</p> <ul style="list-style-type: none">■ To make larger ice cubes, increase the amount of water supplied to the ice cube maker.

Frequently Asked Questions

Problem	Possible cause and solution
<p>The ice cubes have an unpleasant odor or flavor.</p>	<p>The ice cube maker is in constant use and needs to be cleaned regularly.</p> <ul style="list-style-type: none"> ■ Rinse the ice cube maker and water supply line regularly (see “Cleaning and care - Rinsing the ice cube maker”).
	<p>The ice cube maker is seldom used. If you do not use it very often, ice cubes that are stored for a long period can absorb the taste and smell of other items.</p> <ul style="list-style-type: none"> ■ Empty the ice cube drawer if you are not going to use the ice cube maker for a long time. ■ Rinse the ice cube maker and water supply line regularly (see “Cleaning and care - Rinsing the ice cube maker”).
	<p>There is unpackaged/unwrapped food in the freezer section. Ice can absorb the taste and smell of unwrapped food.</p> <ul style="list-style-type: none"> ■ All food in the freezer section must be wrapped.
	<p>The ice cube drawer is dirty.</p> <ul style="list-style-type: none"> ■ If necessary, clean the ice cube drawer.
<p>Water is flowing out of the appliance.</p>	<p>The water intake is faulty.</p> <ul style="list-style-type: none"> ■ Close the water shut-off valve immediately! ■ Check the water line for damage. ■ Contact Miele Technical Service. ■ Check whether the water pressure is too high
	<p>Too high water pressure can cause leakages.</p> <ul style="list-style-type: none"> ■ Check that the water pressure is between 29 and 116 psi (2 and 8 bar). ■ Check if an incorrect valve has been installed.

The interior lighting is not working.

Problem	Possible cause and solution
<p>The interior lighting is not working.</p>	<p>The refrigeration appliance has not been turned on.</p> <ul style="list-style-type: none"> ■ Turn the refrigeration appliance on.
	<p>The Sabbath Mode function is switched on: the temperature display is dark and the  symbol is shown on the display.</p> <ul style="list-style-type: none"> ■ You can switch off Sabbath Mode at any time via the Settings mode .
	<p>There is a fault.</p> <div style="border: 1px solid gray; padding: 5px;"> <p> Risk of electric shock due to exposed, live electrical components.</p> <p>When removing the lighting cover, there is a risk of coming into contact with live electrical components.</p> <p>Do not remove the lighting cover. The LED lighting may only be repaired or replaced by Technical Service.</p> </div>
	<div style="border: 1px solid gray; padding: 5px;"> <p> Risk of injury from LED lighting.</p> <p>This lighting corresponds to risk group RG 2. If the cover is defective, there is a risk of eye injury.</p> <p>If the lighting cover is defective, do not look from a close range directly into the lighting with optical instruments (e.g., magnifying glass or similar).</p> </div> <ul style="list-style-type: none"> ■ Contact Technical Service.

Causes of noises

Normal noises	Cause
Brrrrr...	A humming noise is made by the motor (compressor). This noise can get louder for brief periods when the motor switches on.
Blub, blub...	A gurgling noise can be heard when the coolant circulates through the pipes.
Click...	Clicking sounds occur whenever the thermostat switches the motor on or off.
Sssrrrrr...	You can sometimes just hear the sound of the fan inside the appliance.
Crack...	A cracking sound can be heard when materials expand inside the appliance.
Please bear in mind that a certain amount of noise is unavoidable (from the compressor and the coolant circulating through the system).	

Noises	Cause and solution
Rattling, clinking	The appliance is uneven. Realign the appliance using a level, by raising or lowering the adjustable feet underneath the appliance or placing something underneath it.
	The appliance is touching another machine or piece of furniture. Move it away.
	Drawers, baskets or shelves are jiggling or are stuck. Check all removable parts and refit them correctly if required.
	Bottles or containers are touching each other. Separate them a little.

Contact in the event of a fault

In the event of a fault which you cannot remedy yourself, please contact your Miele dealer or Miele Customer Service.

You can book a Miele Customer Service call-out online at www.miele.com/service.

Contact information for Miele Customer Service can be found at the end of this document.

Please quote the model identifier and serial number of your appliance (SN) when contacting Miele Customer Service. Both pieces of information can be found on the data plate.

You will find the data plate inside your appliance.

Appliance warranty and product registration

You can register your product and/or view the manufacturer's warranty terms and conditions for Miele appliances and vacuum cleaners at www.mieleusa.com.

Declaration of conformity

Frequency band	2,412 GHz – 2,462 GHz
----------------	--------------------------

Maximum transmitting power	< 100 mW
----------------------------	----------

Copyrights and licenses

Miele uses their own and third party software which is not subject to any so-called open source license for the operation and control of the device/appliance. This software/these software components are protected by copyright. The copyright powers of Miele and third parties have to be respected.

Furthermore, this device/appliance contains software components which are distributed under open source license conditions. Please refer to the document “Open Source Information and Licenses” for the Open Source components contained therein, together with the corresponding copyright notices, copies of the licensing conditions valid at the time, and any further information. The liability and warranty provisions of the open source licensing conditions as stated therein apply only in relation to the respective rights holders.

In particular, the device/appliance contains software components licensed by the copyright holders under the GNU General Public License, Version 2, or the GNU Lesser General Public License, Version 2.1. For a period of at least 3 years from the date of purchase or delivery of the device/appliance respectively, Miele offers to provide you or third parties with a machine-readable copy of the source code of the Open Source components contained in the device/appliance and licensed under the terms of the GNU General Public License, Version 2, or the GNU Lesser General Public License, Version 2.1, on a data carrier (CD-ROM, DVD or USB stick). Please contact us via e-mail (info@miele.com) or the below postal address and state the product name, the serial number and the date of purchase to obtain this source code.

Miele & Cie. KG
Open Source
GTZ/TIM
Carl-Miele-Straße 29
33332 Gütersloh

Please note the limited warranty in favor of the rights holders under the terms of the GNU General Public License, Version 2, and the GNU Lesser General Public License, Version 2.1:

This program is distributed in the hope that it will be useful, but WITHOUT ANY WARRANTY, without even the implied warranty of MERCHANTABILITY of FITNESS FOR A PARTICULAR PURPOSE. See the GNU General Public License and GNU Lesser General Public License for more details.

**Please have the model and serial number
of your appliance available when
contacting Customer Service.**

The Miele logo consists of the word "Miele" in a bold, white, serif font, set against a solid black rectangular background.

U.S.A.

Miele, Inc.

National Headquarters

9 Independence Way
Princeton, NJ 08540
Phone: 800-843-7231
Fax: 609-419-4298
www.mieleusa.com

Customer Service & Support

Phone: 888-99-MIELE(64353)
Fax: 888-586-8056
service@mieleusa.com

International Headquarters

Miele & Cie. KG
Carl-Miele-Straße 29
33332 Gütersloh
Germany

Canada

**Importer
Miele Limited**

Headquarters and Miele Centre

161 Four Valley Drive
Vaughan, ON L4K 4V8
www.miele.ca

Customer Care Centre

Phone: 800-565-6435
905-532-2272
customercare@miele.ca

KF 2981 Vi

en-US, CA

M.-Nr. 10 785 190 / 04