

N 50, Built-in oven, 60 x 60 cm, Graphite-Grey
B6ACM7AG0A



COOKING PASSION SINCE 1877



Built-in oven with Hide® - the fully retracting oven door

- ✓ CircoTherm® – The smart hot-air function lets you bake on up to three levels at once and achieve even cooking results.
- ✓ Hide® – The unique fully disappearing oven door.
- ✓ Singlepoint Meatprobe - keeps one eye constantly on the oven temperature
- ✓ Pyrolytic Self-Cleaning with Easy Clean - the duo for optimal cleaning: pyrolytic after heavy use and Easy Clean for in between
- ✓ Home Connect – rediscover your kitchen with our connected home appliances, from wherever you are

Features

Technical Data

Gross weight : 40.4 kg
 Color / Material Front : Graphite
 Built-in / Free-standing : Built-in
 Cleaning : Pyrolytic+Hydrolytic
 Min. required niche size for installation (HxWxD) : 585-595 x 560-568 x 550 mm
 Dimensions (HxWxD) : 595 x 594 x 548 mm
 Dimensions of the packed product (HxWxD) : 660 x 690 x 650 mm
 Control Panel Material : Glass
 Door Material : Glass
 Net weight : 37.8 kg
 Usable volume of cavity : 71 l
 Heating functions : Bottom heat, Bread Baking Setting, Conventional heat, Full width grill, Hot Air, Hot air gentle, Hot air grilling, Pizza setting
 First cavity material : Other
 Number of interior lights : 1
 Length electrical supply cord : 120 cm
 Interior Lights - cavity 1 : 1
 Telescopic Racking System : Accessory
 Clock function : Alarm, Off, On
 Included accessories : 1 x combination grid, 1 x universal pan
 Broil Element Wattages cavity 1 : 2800 W
 Convection Element Wattages cavity 1 : 2300 W
 Energy efficiency rating : A
 Energy consumption per cycle conventional (2010/30/EC) : 1.04 kWh/cycle
 Energy consumption per cycle forced air convection (2010/30/EC) : 0.81 kWh/cycle
 Energy efficiency index (2010/30/EC) : 95.3 %
 Connection Rating : 3600 W
 Fuse protection : 16 A
 Voltage : 220-240 V
 Frequency : 50; 60 Hz
 Plug type : no plug
 Color / Material Front : Graphite
 Energy input : Electric
 Required cutout/niche size for installation (in) : x x
 Dimensions of the packed product : 25.98 x 25.59 x 27.16
 Net weight : 83.000 lbs
 Gross weight : 89.000 lbs
 Length electrical supply cord : 120 cm
 Net weight : 37.8 kg
 Included accessories : 1 x combination grid, 1 x universal pan

Optional accessories

Z11AB15A0 : , Z11AU15A0 : , Z11CB10E0 : , Z11CL15E0 : ,
 Z11CN15E0 : , Z11CR10X0 : , Z11CU10E0 : , Z11GT10X3 : ,
 Z11GU20X0 : , Z11TE25X0 : , Z11TF25X0 : , Z11TF36X0 : 3 level
 telescopic rails, full ext , Z11TI15X0 : , Z11TJ25X0 : , Z11TJ35X0 : ,
 Z12CL10A0 : , Z12CN10A0 : , Z12CQ10A0 : , Z1352X0 : ,
 Z13CR10X0 : , Z13CV05S0 : , Z1913X0 : Baking Stone , Z19DD10X0 :



N 50, Built-in oven, 60 x 60 cm, Graphite-Grey
B6ACM7AG0A



COOKING PASSION SINCE 1877

Features

Heating Functions

- Oven with 8 heating methods:
Hotair gentle
CircoTherm® Top/bottom heating Bottom heating Bread Baking
Full surface grill CircoTherm® Intensive Circo-roasting
- Temperature range 30 °C - 275 °C
- Cavity volume: 71 net usable litres

Hook-in racks / rails

- Number of shelf levels: 4 PC
- Large capacity oven with shelf supports, Telescopic shelf rails available as optional accessory

Design

- Graphite-Grey Edition
- Rotary Control, Retractable control knobs
- Enamelled cavity (grey) with 4 shelf positions

Cleaning

- Pyrolytic self cleaning
- EasyClean® Cleaning aid program
- Full glass inner door - safer touch door

Convenience

- White LCD display
- Electronic clock with start / stop function
- Automatic temperature proposal, automatic start, Actual temperature display, Optical temperature control, Meat probe function
- Hide®, the fully retracting oven door
- Bar handle
- Single-point meat probe
- Rapid heat
- Halogen lighting
- Cooling fan
- Stainless-steel fan
- Info button
- HomeConnect

Accessories

- 1 x combination grid, 1 x universal pan

Safety and Environment

- Maximum door temperature 30° C
- Automatic door lock during pyrolysis, Individual adjustable child lock, Safety switch off, Residual heat indicator, Door contact switch

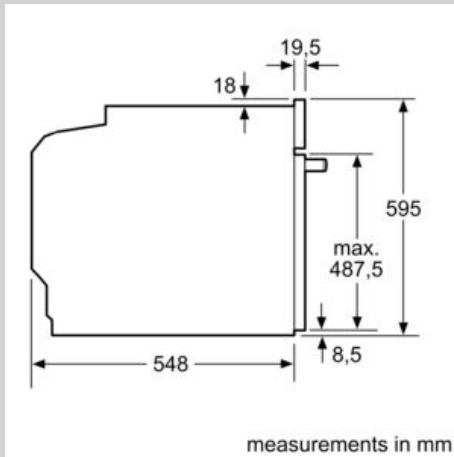
Technical Info

- Length of mains cable: 120 cm
- Nominal voltage: 220 - 240 V
- Total connected load electric: 3.6 KW

Dimensions

- Appliance dimensions (HxWxD): 595 mm x 594 mm x 548 mm
- Installation dimensions (HxWxD): 585 mm - 595 mm x 560 mm - 568 mm x 550 mm
- Please reference the built-in dimensions provided in the installation drawing

Dimensioned drawings



If the appliance will be installed underneath a hob, the following worktop thicknesses (including substructure if necessary) must be taken into account.

Hob type	min. worktop thickness	
	fitted	flush
Induction hob	37 mm	38 mm
Full surface Induction hob	47 mm	48 mm
Gas hob	30 mm	38 mm
Electric hob	27 mm	30 mm

