

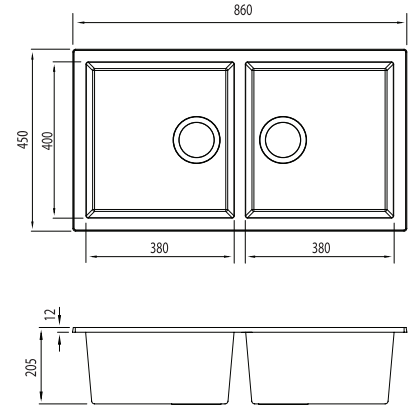
Santorini

Italian made

All dimensions in mm

ST-BL1563U

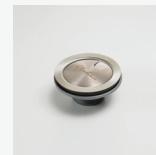
Black Double Bowl Undermount Sink



Specifications /

| | |
|--|---|
| Sink size | 860W x 450H mm |
| Bowl size | Standard Bowl 1 380W x 400H x 210D / 32L Standard Bowl 1 380W x 400H x 210D / 32L |
| Construction | Moulded granite |
| Material | 80% granite and quartz particles and 20% acrylic |
| Installation | Undermount |
| Fixings | Available on request |
| Min cabinet size | 900 mm |
| Tap holes | N/A |
| Waste fittings | 2 x 90 mm basket wastes included |
| Overflow | Not available |
| Carton size | 960 x 580 x 310 mm |
| Weight | 16 kg |
| Warranty | Lifetime manufacturer's warranty (refer to oliveri.com.au) |
| Maintenance and care instructions | Clean the sink regularly with warm water, a liquid detergent and a soft cloth. Do not use abrasive powders or creams and avoid chemically aggressive detergents. Generic stains should be removed immediately with very hot water and a cleaning product. For organic stains which are especially difficult to remove, it is recommended that you fill the sink with a highly diluted organic cleaner such as bleach and let stand overnight. The next morning, rinse with warm water and a soft cloth. |

Included accessories /



AC28
Basket Waste



AC28
Basket Waste