

REMINGTON®

EST. NEW YORK 1937

HYDRALUXE PRO STRAIGHTENER

USE & CARE
MANUAL

PLEASE READ
PRIOR TO USE



To register your product go to
www.remington-products.com.au
www.remington.co.nz

5 YEAR WARRANTY

S9001AU

IMPORTANT SAFEGUARDS

Warning: When the appliance is used in a bathroom, unplug it after use since the proximity of water presents a hazard even when the appliance is switched off.

When using electrical appliances, especially when children are present, basic safety precautions should always be followed, including the following:

READ ALL INSTRUCTIONS BEFORE USING

KEEP AWAY FROM WATER

DANGER – As with most electrical appliances, electrical parts are electrically live even when the switch is off.

To reduce the risk of death by electric shock:

- Always unplug it immediately after using.
- Do not place or store an appliance where it can fall or be pulled into a bath or sink.

WARNING: Do not use this appliance near bathtubs, showers, basins or other vessels containing water.

- Do not place or drop into water or other liquid.
- If an appliance falls into water, “unplug it” immediately. Do not reach into the water.

For additional protection, the installation of a residual current device (RCD) with a rated residual operating current not exceeding 30mA is advisable in the electrical circuit supplying the bathroom. Ask your electrical contractor for advice.

WARNING – TO REDUCE THE RISK OF BURNS, ELECTROCUTION, AND FIRE, OR INJURY TO PERSONS.

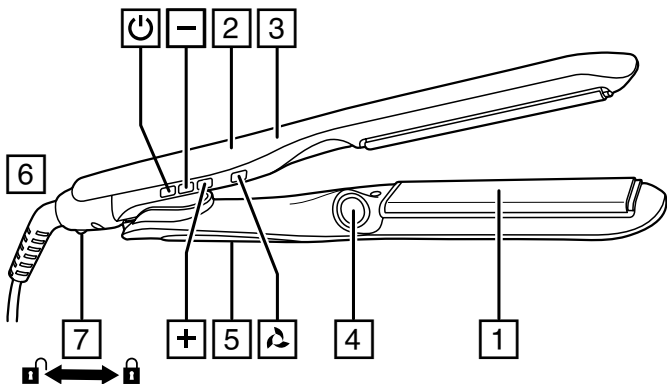
- Your appliance must never be left unattended when plugged in to a power outlet.
- Burn Hazard. Keep the appliance out of reach of young children, particularly during use and cool down.

- This appliance is not intended for use by persons (including children) with reduced physical, sensory or mental capabilities, or lack of experience and knowledge, unless they have been given supervision or instruction concerning use of the appliance by a person responsible for their safety.
- Keep the appliance and the power cord away from the edge of table or countertops and out of reach of children and persons with reduced physical, sensory or mental capabilities.
- This appliance is not a toy. Children shall be supervised to ensure they do not play with the appliance.
- Use this appliance only for its intended use as described in this manual. Do not use attachments not recommended by Remington.
- If the supply cord is damaged, it must be replaced by the manufacturer, its service agents or similarly qualified persons in order to avoid a hazard.
- Do not use on people who are asleep.
- Never drop or insert any object into any opening of this appliance.
- Do not use outdoors or where aerosol (spray) products are being used or where oxygen is being administered.
- Do not let bare skin touch heated surfaces.
- Never place the appliance on any soft surface such as a bed, carpet or a towel. Place only on a hard, flat, heat resistant surface.
- Do not use on wet hair

SAVE THESE INSTRUCTIONS

S9001AU HYDRALUXE PRO STRAIGHTENER USE AND CARE INSTRUCTION MANUAL

Thank you for purchasing your Remington® Hydraluxe Pro Straightener. The Hydracare Mist offers complete protection against heat damage*.



KEY PARTS

1. Advanced ceramic coated plates
2. Digital temperature display
3. Hydracare ON icon
4. Hydracare mist outlet
5. Water reservoir
6. Swivel cord
7. Hinge lock

Controls:

- ⏻ On/off button
- +/- Temperature functions
- ↻ Hydracare on/off button

Accessories (not shown):

- Pipette
- Protective silicone sleeve

*no added damage Vs. unstyled hair when straightening at 170°C with the Hydracare Mist switched on.

BASIC HAIR CARE INSTRUCTIONS

The Hydraluxe Pro Straightener with Hydracare Mist Technology is designed to add moisture to your hair before styling, relaxing each strand so less heat is needed to achieve salon smooth results.

- For optimal results, shampoo and condition your hair prior to styling, then dry your hair thoroughly and make sure that it is tangle free.
- For extra protection use a heat protection spray.
- Hairsprays contain flammable material - do not use while using this product.

Note: The Hydraluxe Pro Straightener is not suitable for use on synthetic wigs or hair extensions.

MOISTURE LOCK CERAMIC COATING

Transfers micro-conditioners to help preserve the perfect balance of moisture.

PRECISE HEATING SYSTEM

Built-in sensors ensure an even temperature is maintained across the plates for one pass results.

BEFORE USE

- Section the hair prior to styling. Style the lower layers first.
- Your straightener can also be used without activating the Hydracare function.
- Before operating the Hydracare function, the reservoir must be filled with water.
- DO NOT operate Hydracare function if the reservoir is empty.

FILLING THE RESERVOIR

Unplug your straightener before filling the reservoir.

Caution: Beware of the the hot plates if your straightener has been in use.

1. Lift the front end of the reservoir upwards slightly.
2. Slide the reservoir forwards and lift out.
3. Gently open the plug using the tab and fill with water using the pipette provided
4. Replace the plug securely and dry off any excess water on your hands and the outside of the reservoir.
5. Replace the reservoir into the body of the straightener and press it downwards until it clicks into place.

Note: To prolong the life of the product we recommend using filtered or distilled water ONLY.

HOW TO USE YOUR HYDRALUXE PRO STRAIGHTENER

1. Plug the product into the mains power supply.
2. Press and hold the on/off (⏻) button to switch on.

To use the Hydracare function see Using the Hydracare Function below.

3. Select the appropriate temperature for your hair type using the +/- controls on the side of the product. Start styling at on lower temperatures first. There are 5 settings up to 230°C.
4. The '+' button will increase the temperature and the '-' button will decrease the temperature.

Recommended temperatures when the Hydracare function is turned off

Temperature	Hair type
150°C - 170°C	Thin / fine, damaged or bleached hair
170°C - 190°C	Normal, healthy hair
210°C - 230°C	Thick, very curly and difficult to style hair

Caution: the hottest temperatures should only be used by experienced stylists

5. The temperature on the display will stop flashing when the product is ready to use.
6. Working on one section at a time, run the straightener through the entire length of the hair without stopping.
7. After use, press and hold the on/off (⏻) button for two seconds to turn off then unplug the appliance.

USING THE HYDRACARE FUNCTION

Before operating the Hydracare function, the reservoir must be filled with water.

1. Press and hold the Hydracare on/off switch (⚡) for 2 seconds to activate.
2. The Hydracare icon (⚡) will illuminate during styling.

The recommended optimum temperature of 170°C is automatically selected. If required this can be overridden using the +/- controls on the side of the product.

3. The temperature on the digital display will stop flashing when the product is ready to use.

IMPORTANT: In use, always ensure the Hydracare mist outlet is facing downwards towards the end of the hair. If the outlet is facing upwards towards the roots of your hair, your hair will be left damp and the performance of the straightener will be restricted.

4. When the plates are closed onto the hair, moisture in the form of a light mist is emitted from the outlet.
5. Working on one section at a time run the straightener through the entire length of the hair without stopping.

TEMPERATURE BOOST FUNCTION

- This function is designed for quick touch ups of stubborn, hard to style sections.
- This function boosts the temperature to 230°C.
- Hold the '+' button for 2 seconds to operate.
- **Caution:** The highest temperature is not suitable for every hair type. If you plan to use this straightener on the boost setting of 230°C please test on a small section of your hair first.

TEMPERATURE LOCK FUNCTION

- Set the desired temperature by pressing +/- buttons and lock the temperature controls by pressing the '-' button for 2 seconds. A symbol will appear next to the temperature.
- To unlock the temperature controls, press and hold the '-' button again for 2 second.

ADDITIONAL FEATURES

- Safety shut-off: automatically switches off after 60 minutes.
- Ultra fast heat-up: ready to use in 15 seconds.
- 3m salon length swivel cord for styling freedom.
- Integrated water tank: styles up to 48m of hair without re-filling.
- This product is 'multi-voltage', for use at home and abroad, and is designed to operate on voltages from 120V~ to 240V~. At 120V~, the times and temperatures stated in this booklet may vary.

STORAGE, CLEANING AND MAINTENANCE

Let the appliance cool down before cleaning and storing away

- Wipe away any condensation/steam residue with a damp cloth.
- Don't use harsh or abrasive cleaning agents or solvents.
- Ensure the water reservoir is emptied after every use.

The plates can be locked together for easy storage:

To lock, push the hinge lock to the locked position.

To unlock, pull the hinge lock to the unlocked position

Note: Do not heat the unit in the locked position.

DISPOSAL/RECYCLING

Legislation in some localities mandates that e-waste (anything with a plug, battery or cord) is disposed of through controlled recycling facilities and must not be disposed of in general household waste. For more information about recycling of electrical and battery operated appliances, please contact your local council or your local household waste disposal service.



WARNING: Do not use this appliance near bathtubs, showers, basins or other vessels containing water.

As with all electrical appliances, the power cord must be regularly checked for wear and tear. Immediately cease using this product if the power cord shows any signs of damage.

This product conforms to radio frequency interference requirements.

Any product purchased and used commercially carries a limited 90 Day Warranty.

We suggest you use local waste management centres to recycle this product at end of life.

Spectrum Brands Australia Pty Ltd and Spectrum Brands New Zealand Limited
WARRANTY AGAINST DEFECTS

In this warranty:

Australian Consumer Law means the Australian consumer law set out in Schedule 2 to the Competition and Consumer Act 2010;

CGA means the New Zealand Consumer Guarantees Act 1993;

Goods means the product or equipment which was accompanied by this warranty and purchased in Australia or New Zealand, as the case may be;

Manufacturer, We or us means:

1. for Goods purchased in Australia, Spectrum Brands Australia Pty Ltd ACN, 007 070 573; or
2. for Goods purchased in New Zealand, Spectrum Brands New Zealand Limited, as the case may be, contact details as set out at the end of this warranty;

Supplier means the authorised distributor or retailer of the Goods that sold you the Goods in Australia or in New Zealand; and

You means you, the original end-user purchaser of the Goods.

1. Our goods come with guarantees that cannot be excluded under the Australian Consumer Law, or the CGA. You are entitled to a replacement or refund for a major failure and compensation for any other reasonably foreseeable loss or damage. You are also entitled to have the goods repaired or replaced if the goods fail to be of acceptable quality and the failure does not amount to a major failure.
2. The benefits provided by this Warranty are in addition to all other rights and remedies in respect of the Goods which the consumer has under either the Australian Consumer Law or the CGA. The original purchaser of the Goods is provided with the following Warranty subject to the Warranty Conditions:
3. We warrant the Goods for all parts defective in workmanship or materials for the period of five (5) years from the date of purchase (**Warranty Period**). If the Goods prove defective within the Warranty Period by reason of improper workmanship or material, we may, at our own discretion, repair or replace the Goods without charge.

Warranty Conditions

4. The Goods must be used in accordance with the manufacturer's instructions. This Warranty does not apply should the defect in or failure of the Goods be attributable to misuse, abuse, accident or non-observance of manufacturer's instructions on the part of the user. As far as the law permits, the manufacturer does not accept liability for any direct or consequential loss, damage or other expense caused by or arising out of any failure to use the Goods in accordance with the manufacturer's instructions.
5. Consumable parts (such as shaver heads, cutters and foils) of the Goods are included under this Warranty only where there is a defect in workmanship or materials used.
6. The warranty granted under clause 3 is limited to repair or replacement only.
7. Any parts of the Goods replaced during repairs or any product replaced remain the property of the manufacturer. In the event of the Goods being replaced during the Warranty Period, the warranty on the replacement Goods will expire on the same date as for the Warranty Period on the original Goods which are replaced.

8. In order to claim under the warranty granted under clause 3 you must:
 - (a) Retain this warranty with your receipt/proof of purchase; and
 - (b) Return the Goods to us at the relevant address below or to the Supplier by prepaid freight within the Warranty Period accompanied with (i) the legible and unmodified original proof of purchase, which clearly indicates the name and address of the Supplier, the date and place of purchase, the product name or other product serial number and (ii) this warranty.
9. This warranty is immediately void if:
 - (a) Any serial number or appliance plate is removed or defaced;
 - (b) The Goods have been serviced or otherwise repaired by a person not authorised to do so by us or where non approved replaced parts are used.
10. The Goods are designed for domestic use only. A limited 90-day Warranty applies to any industrial or commercial use of the Goods. The Goods must be connected to the electrical voltage requirements as specified in the ratings label located on the Goods.
11. This warranty does not cover the cost of claiming under the warranty or transport of the Goods to and from the Supplier or us.
12. This warranty is only valid and enforceable in Australia against Spectrum Brands Australia Pty Ltd and in New Zealand against Spectrum Brands New Zealand Limited.

Contact us or the Supplier for further details.

Spectrum Brands Australia Pty Ltd

Locked Bag 3004

Braeside, VIC 3195

AUSTRALIA

Customer service in Australia: 1800 623 118

E-mail: consumer.enquiry@remington-products.com.au

Website: www.remington-products.com.au

Spectrum Brands New Zealand Limited

PO Box 9817

Newmarket, Auckland 1149

NEW ZEALAND

Customer service in New Zealand: 0800 736 776

E-mail: info@remington.co.nz

Website: www.remington.co.nz

REMINGTON[®]
EST. NEW YORK 1937

REMINGTON SERVICE HOTLINE

① Australia 1800 623 118 (toll free)

① New Zealand 0800 736 776 (toll free)

AUTHORISED REPAIR CENTRES

Visit www.remington-products.com.au for Authorised repair centre details.

® Registered Trade Mark of Spectrum Brands Inc., (SBI) or one of its subsidiaries

©2020 Spectrum Brands Inc.

Rev. 08/20

Part No. T22-0005668

Type: S18A

