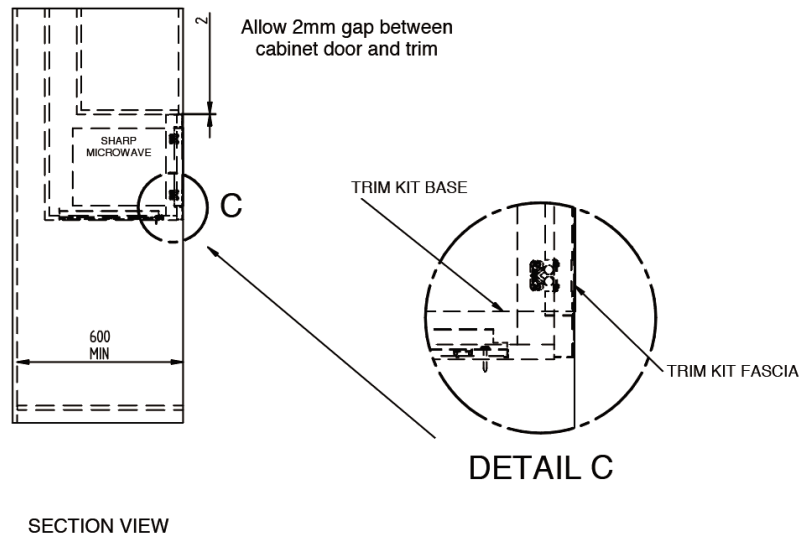
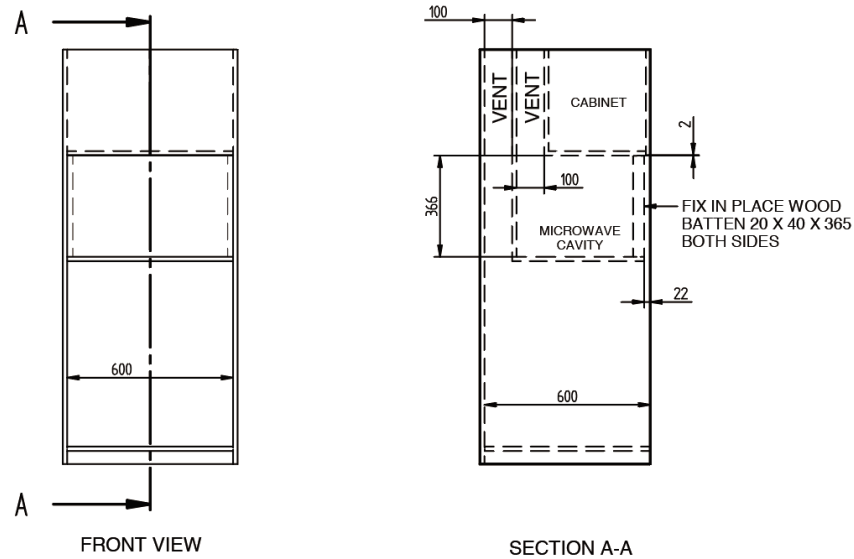


SHARP MICROWAVE TRIM KIT

CABINET SPECIFICATIONS

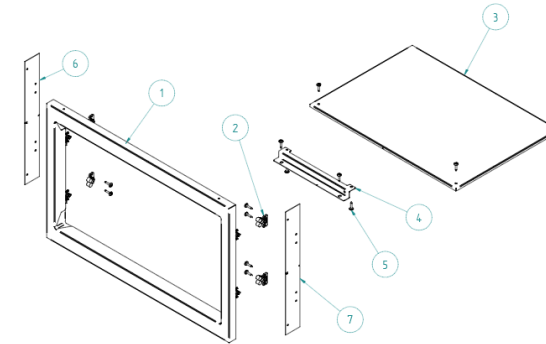


SHARP MICROWAVE TRIM KIT

MODEL NO. M/N EBR 39ST

To suit Sharp Microwave Oven Models:
R-395E (ST) R-395E (ST) R-350E(W), R-395E(ST), R-395E(BS),
R-333F(W), R-333F(S), R-342F(W), R-342F(S) R-341F(S)

PART IDENTIFICATION SHEET



1. FASCIA ASSEMBLY
2. 4x FEMALE PLASTIC CLIP
3. BASE ASSEMBLY
4. MICROWAVE STOP BRACKET
5. 14 x 6 GAUGE SCREWS
6. LH DRILL TEMPLATE
7. RH DRILL TEMPLATE

CAUTION

1. Read and follow all of the instructions completely.
2. The Sharp Built-in Trim Kit must be installed in accordance with the full set of instructions listed and meet the regulations laid down by electrical authorities, building regulations and the requirements of state and local government authorities.
3. The microwave oven must be unplugged before installation of the Sharp Built-in Kit.
4. For safe use of the microwave oven, DO NOT modify or alter any part of this kit.
5. The kitchen cabinetry that houses the microwave oven must be constructed to allow the microwave oven to operate to Australian Standards 3350.1-2002, 60335.1, 3350.2.25-2001 and 60335.2.25.

CARE AND CLEANING

Use a mild stainless steel cleaner applied with a soft damp cloth. Wipe in the stainless steel grain direction. DO NOT USE CAUSTIC CLEANERS, ABRASIVE OR HARSH CLEANERS OR SCOURING PADS.

TRIM KIT SPECIFICATIONS

Cavity Dimensions		Overall Kit Dimensions;	
Internal Width	600mm	Width	596mm
External Front Height	381mm	Height	380mm
Depth	500mm (minimum)	Depth	22mm (Fascia)

Cabinetry Ventilation

An opening on the upper cavity panel must be cut for air circulation. This opening should be placed at the rear- minimum 600mm x 100mm.

Installation Procedure 1



Measure the centre of the cabinet base (part 3) and mark a line with a straight edge towards the rear approx. 30mm. Also mark the downward edge of the cabinet base approx. 5mm.

Installation Procedure 2



Sit the Base (part 3) on the cabinet bottom with the centre notch at the front. Place it in 20mm from the front edge. Align the centre notch and the centre line marked to locate the base. Ensure the base front edge is parallel with the front.

Installation Procedure 3



Screw the Base (part 3) to the cabinet bottom panel using 2 x 6 gauge screws via two screw holes in the front corners. Do not screw too tight.

Note, the cabinet bottom panel front edge must be in 22mm from the cabinet front, trim kit fascia and microwave oven front surface. See section A-A diagram on the Cabinet Specifications page.

Installation Procedure 4



Place one of the two Templates (part 6 & 7) on the left side. Ensure the edge with "F" is at the front. Rest the bottom edge on the cabinet bottom. Align with the front edge of the timber batten and ensure it is parallel with the front batten edge. Use two 6 x gauge screws to screw the template to the cabinet battens using the two outer Template screw holes.

Repeat this for the right side of the cabinet.

Installation Procedure 5



For both sides, align the top and bottom female clips (part 2) with the template screw holes and fix the female clips into place with the Gauge screws.

Installation Procedure 6



Remove from Microwave oven all internal accessories including the glass turntable plate.

Place the Microwave Oven on it's side or it's top. Make sure the Microwave is resting on a soft surface (towel/carpet).

Screw the Microwave Stop Bracket (part 4) to the bottom of the microwave oven using two 6 gauge screws.

Installation Procedure 7



Feed the microwave oven power cord and plug into the back cavity and through to the adjoining cabinet where the approved 240 volt 10amp power-point is and plug in. Do not turn on until the installation is complete. Rotate the Microwave Oven and place it into the cabinet cavity. Open the door of the microwave oven. Ensure the front of the Microwave Stop Bracket (part 4) is flush with the front edge of the cabinet bottom panel front edge. Align the centre mark with the bracket locating notch and screw into place using two 6 gauge screws.

Installation Procedure 8



Remove the plastic protective coating from the stainless steel trim kit fascia. Align and push the fascia squarely into place until all four clips engage.

Fit the plastic plate coupler if necessary.

Fit turntable roller ring and turntable glass plate.

Clean with a mild stainless steel cleaner. (See cleaning tips). Turn on the approved 240 volt 10 amp power-point.