

# AUTOMATIC WASHING MACHINE - INSTALLATION INSTRUCTIONS

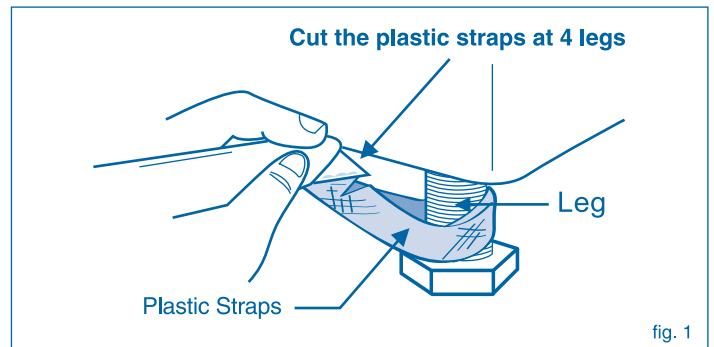
Thank you for buying this Washing Machine. It has been made for self installation by the customer.  
Your dealer, Authorised Service centres or service technician can install it if you wish,  
BUT YOU WILL HAVE TO PAY A FEE.

**FAILURE TO FOLLOW THESE INSTRUCTIONS COULD RESULT IN DAMAGE  
TO THE WASHING MACHINE WHICH MAY NOT BE COVERED BY WARRANTY.**

## ATTENTION !

MAKE SURE PLASTIC STRAPS ARE REMOVED BEFORE  
USE.

Cut the plastic straps at 4 legs under the washing machine as shown on picture (see fig. 1) and remove by pulling them out.



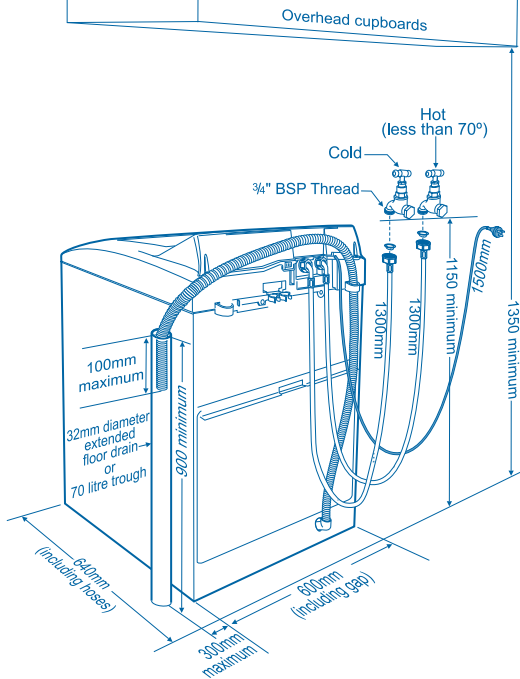
## INSTALLATION REQUIREMENTS

- 1. Electrical:** A properly earthed three pin power point not more than 1500mm from the washing machine.  
**It is not recommended that an extension cord be used.**  
If you need to use an extension cord or portable outlet, make sure that it is not subject to splashing or ingress of moisture.
- 2. Water:** Cold and hot water taps with 3/4" BSP threads less than 800mm from the back of the washing machine and at least 1150mm from the floor. Longer inlet hoses can be purchased from Electrolux Home Products Pty. Ltd. Spare Parts Centres or Authorised Service Centres if the taps are further away.  
**If the HOT water temperature exceeds 70°C then a tempering valve must be fitted.**  
Your local Plumber can advise you on this.  
Water pressures between minimum 50kpa and maximum 800kpa are acceptable.
- 3. Floor Drain:** The Washing Machine should be installed where a floor drain or hole (depending on plumbing laws) is located. A floor drain is required to drain away any water which may overflow from the washing machine due to a hose leak or malfunction.
- 4. Area:** For the Medium washing machine a floor area of 600mm wide by 640mm deep is required and for the large washing machine a floor area 700mm wide by 730mm deep is required. The floor should be firm and have a slope of less than 20mm in 600mm. If you have cupboards above the washing machine then refer to the diagrams below for clearance dimensions. A 30mm gap is required underneath the washing machine when installed on a carpeted floor.
- 5. Drain:** A drain, either in the trough or as an extended floor drain at least 900mm high and 32mm diameter which can take a flow of 30 litres per minute of water and is less than 300mm from the side of the machine. Longer drain hoses can be purchased from your dealer, Authorised Service Centres or Spare Parts Centres if the drain or trough is further away.  
A storage trough that will hold 104 litres (LARGE machine) or 70 litres (MEDIUM machine) is required if you are going to save all the wash water.

## MEDIUM WASHING MACHINE

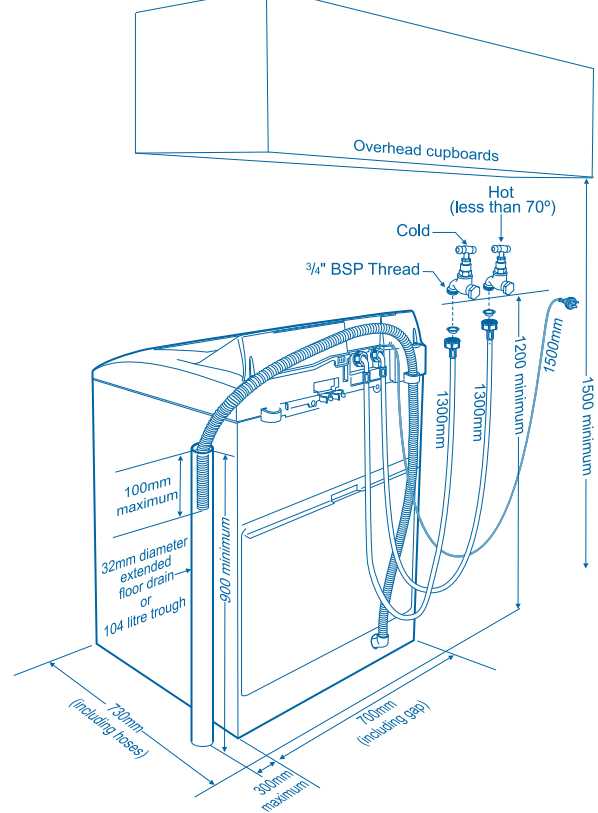
### IMPORTANT:

When moving the washing machine into its final position, make sure the inlet and drain hoses do not kink and cause a blockage.



These appliances incorporate backflow protection complying with AS3500.1. No further backflow protection is required for connection to the water supply.

## LARGE WASHING MACHINE



## INSTALLING DRAIN HOSE

### 1. Fitting hose former.

Obtain hose former from inside the washbowl and fit it to the drain hose (see fig. 2)  
If your drain hose is factory fitted you will need to pull the drain hose from the hose transport retainer before fitting the hose former (see fig. 3).

### 2. Positioning of drain hose.

Adjust the free length of hose to suit your installation.

**NOTE: It is important that the top of the drain hose is above the join between the washing machine cabinet and the top panel (see fig. 3)**

Position the drain hose to empty the water to a trough, down a trough bypass or down an extended floor drain. See Drain Hose Installation Options on next page.

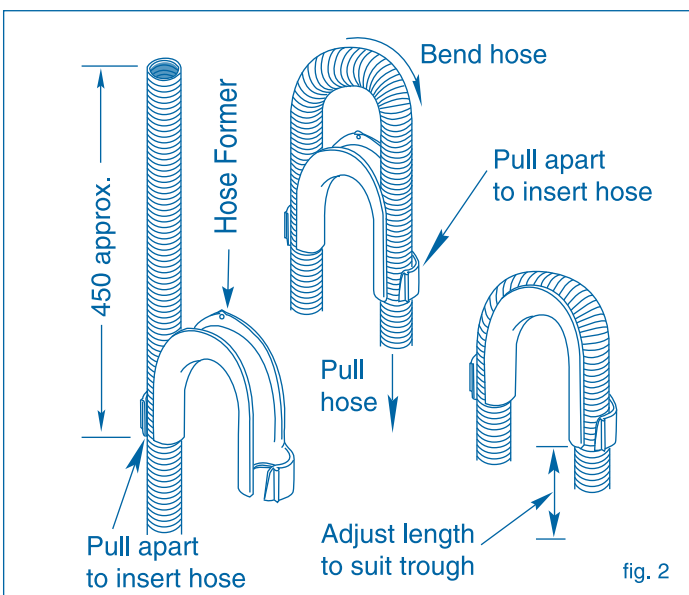


fig. 2

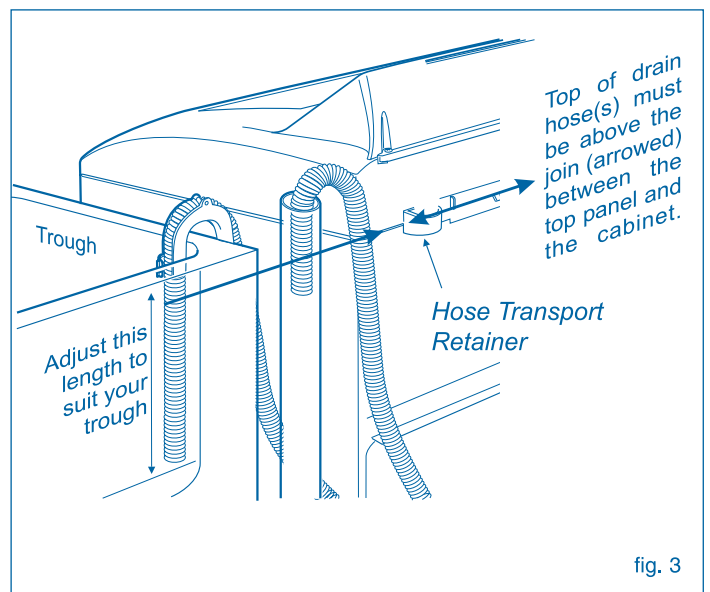
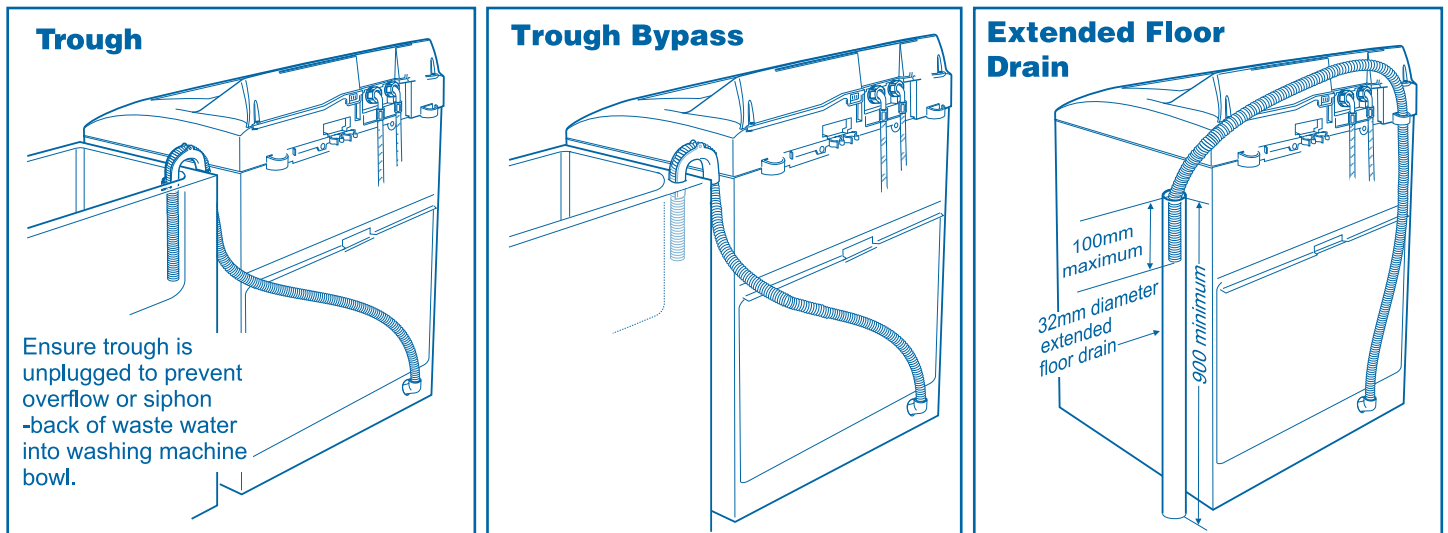


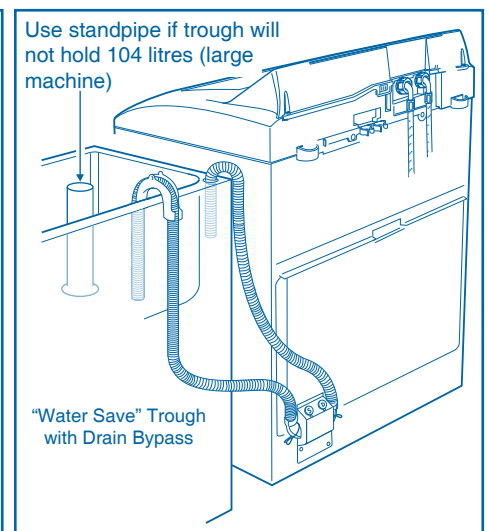
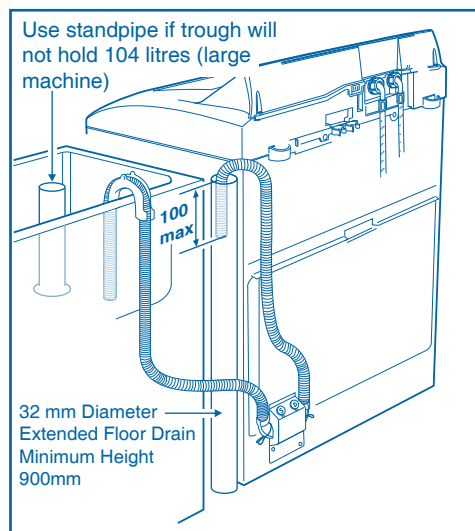
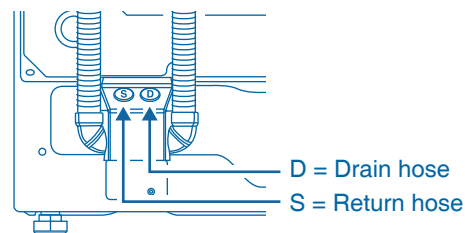
fig. 3

## SINGLE DRAIN HOSE INSTALLATION OPTIONS



## TWO HOSE (WATER SAVE) INSTALLATION OPTIONS

The hose connected to the washing machine outlet marked 'S' is the water save hose and is placed in the trough. The end of this hose should just touch the bottom of the trough. The other hose from the outlet marked 'D' is the drain hose and is placed in the trough bypass or extended floor drain.



## INSTALLING INLET WATER HOSES

- When installing this washing machine, use the hoses supplied. **DO NOT USE OLD HOSES.**

The inlet hoses have the sealing washer fitted.

- Take the inlet hose with the RED coloured end and connect to the hot water tap (see fig. 4). Similarly connect the hose with the blue end to the cold water tap.

**MAKE SURE THE CONNECTIONS ARE TIGHT.**

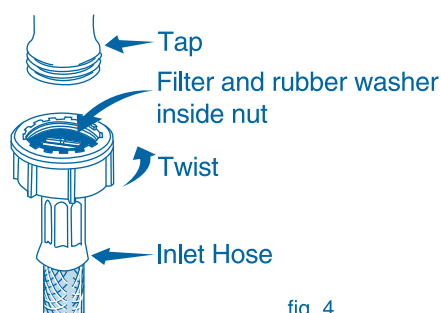


fig. 4

- Turn the taps on and check that there are no leaks from the connections.

- If you only have a cold water tap, you must remove the inlet hose with the RED ends from the washing machine and fit a blank cap with a sealing washer to the HOT water inlet valve, otherwise water will leak out of the valve (see fig. 5).

**NOTE: With cold water tap only, you must only select cold water temperatures.**

A blank cap is available from Electrolux Home Products Pty. Ltd. Spare Parts Centres or Authorised Service Centres.

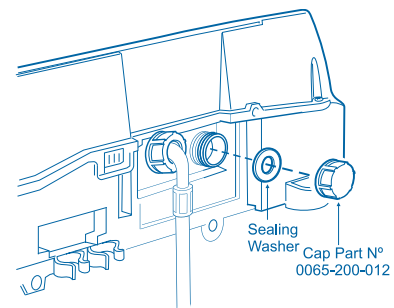


fig. 5

- Turn off the water taps and move the washing machine into its final position.

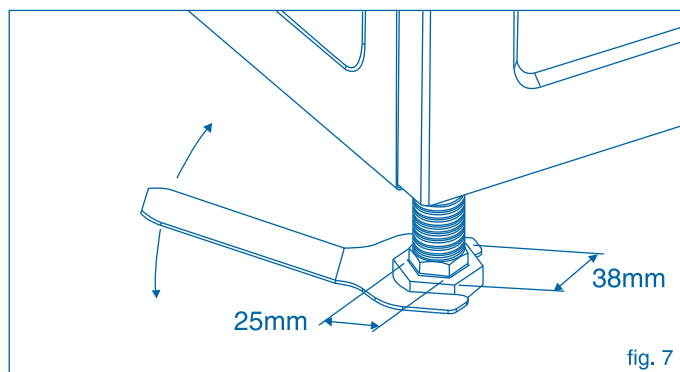
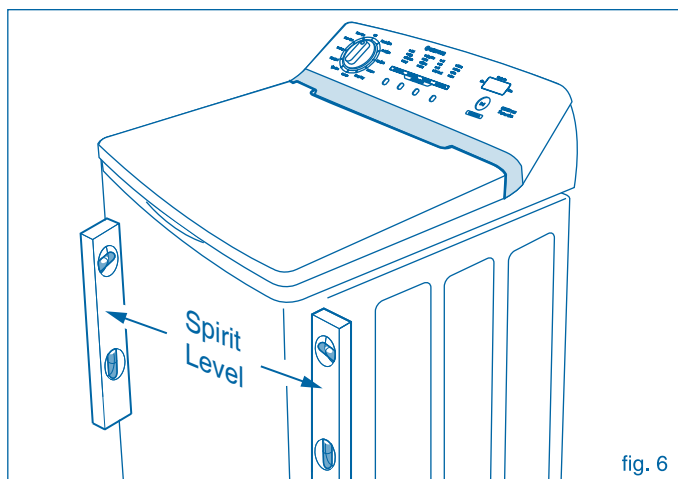
**MAKE SURE THAT THE INLET AND DRAIN HOSES DO NOT KINK**

## LEVELLING OF MACHINE

**It is important that your washing machine stands firm and level on the floor to ensure correct operation.**

1. Use a spirit level on the front and side panels of the washing machine to check the levels (see fig. 6). The spirit level should be used close to the corners of the washing machine for accuracy. By hand, or using a spanner if necessary, adjust the back legs first then the front.

Adjust the four legs up or down as required. Your machine may have adjustable legs with a stepped base. If so, you can use either a 38mm or 25mm spanner to adjust them (see fig.7).



2. If you do not have a spirit level, as a guide use the edge of a door frame, cupboard or bench to check that the washing machine is level.
3. When the washing machine is level, try to rock it from corner to corner. If it does rock, adjust the legs again until it is level and does not rock.

---

## OPERATION

1. Turn on the water taps and check for any leaks at the connections.
  2. Connect the plug to a power-point and switch on power.
  3. Your automatic machine is now ready for operation. Please refer to your Owner's Manual to understand the many features of your new washing machine and for the operating instructions.
-