

10kg EZI Set top load washing machine with ActiveBoost detergent pre-mixing technology, 4 Energy Star rating, Inverter motor, Time Adjust function, everyday fast wash programs and durable glass lid with soft closing.

RRP AUS \$1,399.00



Product Details

FEATURES

ActiveBoost

Save your favourite program

Inverter motor

Auto water level sensing

A control panel that is easy to use

Quick 20 minutes program for small loads

Soft closing lid

Agitator wash action

Delay end option to plan when your wash finishes

Time remaining display

No mess detergent drawer

BENEFITS

Our best washing results in cold water

With ActiveBoost technology, detergent and water is premixed in a separate chamber before spraying onto your clothes, meaning less detergent residue at the end and an even, cleaner result than ever before.

Effortlessly organise your busy life

Let us help you stay organised. With Time Adjust, you can increase or reduce the total wash times to fit into your life. Plus, when used with the clever Delay End function, you can even decide when you want it to end. Now that's convenient!

Save time with fast wash programs

Sometimes you just need to get a few things clean fast and that's where the super Quick 20 minute program comes in handy. The Daily 45 minute program is ideal of your regular loads.

Simply save and use your favourite program with one touch

Save time and make life a little easier by saving your favourite wash program. This easy to use feature allows you to save your most used cycle and then use it at the touch of a button.

Durable and easy to clean premium lid

The toughened glass lid is not only stylish but durable. Its scratch resistant flat surface can be used as an additional work space in your laundry room and best of all its easy to wipe clean.

An inverter motor that really lasts

Enjoy better care for your clothes with our super efficient inverter motor. It's not only durable, but also saves on energy too. So reliable, it has a 10 year parts & labour warranty on the inverter motor.

Agitator wash action

With a gentle and effective agitator wash action, all of your clothes are in safe hands. Our proven top load washer agitator system ensures your entire load is washed evenly and gently. The agitator helps to prevent tangling during the wash and spin cycles.

Specifications

PRODUCT PROFILE

Domestic warranty details (yrs)	2
Capacity (Kg)	10

ENERGY

Energy Star Rating New	4
Energy consumption cold water (kWhr/yr)	127
Energy Consumption Warm (KWhr/yr)	354
Water efficiency star rating	3.5
Water consumption (litres)	122

DIMENSIONS

Total height (mm)	1076
Total width (mm)	670
Total depth (mm)	680
Height with lid open (mm)	1490
Depth with hoses (mm)	730

WASH PROGRAMS

Number of Programs	11
Toploader Wash programs	delicates,hand wash,rinse and spin,heavy duty,Regular wash,Cold wash,Bedding,drain and spin,Daily 45,Quick 20,Favourite
Wash options	wash temperatures,variable water level,Rinse option,spin selection
weight (kg)	10
Dispenser	bleach dispenser,Softener dispenser,Powder or liquid detergent dispenser

CONTROLS

Type of controls	rotary,Touch button
Control panel colour	white
Functions available	time remaining,fault diagnostic display,favourite program,Save Favourite,delay end,Time Adjust,Child lock on control
Type of display	LED
Dirt level selection	No

BOWL

Spin tub material	stainless steel
-------------------	-----------------

CABINET

WASH PROGRAMS

On screen stain guide	No
-----------------------	----

BUTTON FUNCTION

Button Functions	power/on/off,rinse option,water temp,water level,start/pause,spin speed,favourite,Delay end,Time adjust
------------------	---

LID

Lid Removal	no
Lid Type	Child safe lid lock,Soft closing lid,glass insert
Lid Colour	Pearl white

TECHNICAL

CABINET

Cabinet Colour	white
Cabinet Type	curved front
Cabinet material	painted galvanized steel

TECHNICAL

Water pressure requirements min	50
Water pressure requirements max	800
Water supply	hot and cold
Inlet hose length	130
Drain hose length	175
Service cord length	180
Toploader Wash system	Agitator wash action,Active Boost
Rinsing system	deep rinse,eco rinse,extra rinse,Fast rinse
Maximum spin speed	850
Variable spin speed	Yes
Number of spin speeds	3
Levelling legs, adjustable	4
Toploader Lint removal	filter in agitator
Buzzer	end of cycle,out of balance
Clothes level indicator on agitator	No

SHIPPING

Shipping Volume (m3)	0.613
Shipping Weight (Kg)	52
Pack Dimensions Height (mm)	1130
Pack Dimension Width (mm)	710
Pack Dimension Depth (mm)	764

STUFFING QUANTITIES

40ft HC	90
---------	----

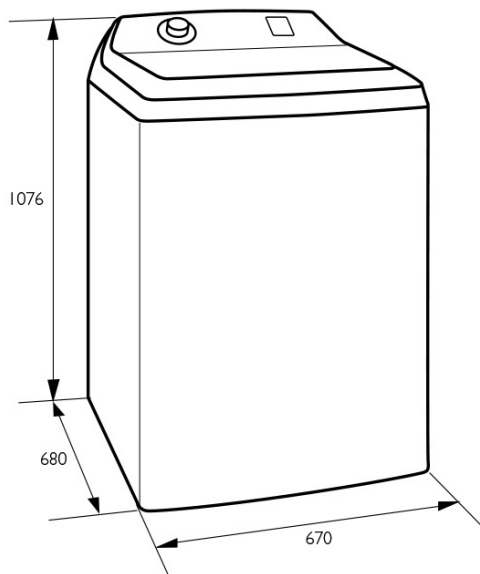
Dimensions

Dimensions

SWT1043

10KG TOP LOAD WASHING MACHINE

product (H x W x D) mm **1076 x 670 x 680**
Height with lid up is 1490mm
Depth including hoses is 730mm



For more information on Simpson top load washers, please visit your retailer, call our customer care team, or visit our website:

Australia 1300 363 640 simpson.com.au

New Zealand 0800 436 245 simpson.co.nz

Simpson. We are part of the Electrolux Family. To add a touch of professional inspiration to your home, visit electrolux.com.au or electrolux.co.nz

SDIM_SWT1043_Oct17

Quality kept simple

Terms and Conditions

IMPORTANT

This is a guide of product dimensions only. For complete installation instructions, refer to the manual provided with product.

PRODUCT INFORMATION

The descriptors and illustrations in this publication apply to the specific products and models described as at the date of issue. Under our policy of continuous product development, product specifications may change without notice. Prospective purchasers should therefore check with their retailer to ensure this publication correctly describes the products that are being offered for sale. All information supplied is to be used for general reference purposes only and is on the understanding that Electrolux Home Products Pty Ltd (Australia) and Electrolux (NZ) Ltd (New Zealand) will not be liable for any loss, liability or damage of whatever kind arising as a result of reliance on such information. Colours of products illustrated are as close as printing limitations allow. Electrolux will at all times comply with its obligations pursuant to law including Trade Practices (Australian Consumer Law) Act and Regulations.

WARRANTY

This warranty only applies to Appliances purchased and used in Australia or New Zealand and used in normal domestic applications and is in addition to (and does not exclude, restrict, or modify in any way) any non-excludable statutory warranties in Australia or New Zealand. All warranties are subject to the conditions set out in the warranty card accompanying the product when purchased.

ELECTROLUX HOME PRODUCTS AUSTRALIA

telephone: 1300 363 640

fax: 1800 350 067

email: customercare@electrolux.com.au

web: www.electrolux.com.au

ELECTROLUX HOME PRODUCTS NEW ZEALAND

telephone: 09 573 2230

fax: 09 573 2221

email: customercare@electrolux.co.nz

web: www.electrolux.co.nz