

## TRA90BL2NPF SMEG 90CM FREESTANDING COOKER



EAN 9345025007001

Dimensions	900mmW x 895-910mmH x 600mmD (Height excludes 135mm splashback)
Finish	Black enamelled metal
Installation	Freestanding
Display	5 button LED programmer
<b>Main oven</b>	
Capacity	126L
Total functions	9
Door glass	Triple glazed
Cooking levels	5
Thermostat	50-260°C
Programmability	Fully programmable
Cleaning	Vapour Clean
Lighting	2 x 40W halogen
Safety	Thermal overload protection
Supplied accessories	2 x 40mm deep baking tray 2 x Chrome wire shelf 1 x Chrome wire rack
Optional accessories	GTP - Partial telescopic guides GTT - Total telescopic guides
Power	220-240V, 50/60Hz 3200W 14A
Warranty	Two years parts and labour



### THERMOSEAL

The seal of Smeg's quality, technical excellence and taste: succulent roasts, crisp pastry and impressive baking is achieved in Smeg's unique, perfectly controlled cooking environment. Thermo Seal maintains the perfect atmospheric balance in the cavity for optimum cooking conditions.



### EVER CLEAN ENAMEL

The superior quality of Smeg's patented Ever Clean enamel, which is highly durable and easy to clean, is the result of nearly 70 years of enameling expertise; ensuring long-life performance of every Smeg oven.



### VAPOUR CLEAN

Smeg's Ever Clean enamel's tough surface has a glassy finish, so a simple spray of water and detergent around the cavity in conjunction with the Vapour Clean option will generate heat and steam to soften any grease for a wipe-clean result.



### SOFT CLOSE DOOR

The new soft-close mechanism on Smeg's oven doors ensures a two-stage soft and quiet close. Smeg's quality hinges also ensure the door will not drop on opening, an intrinsic safety feature.

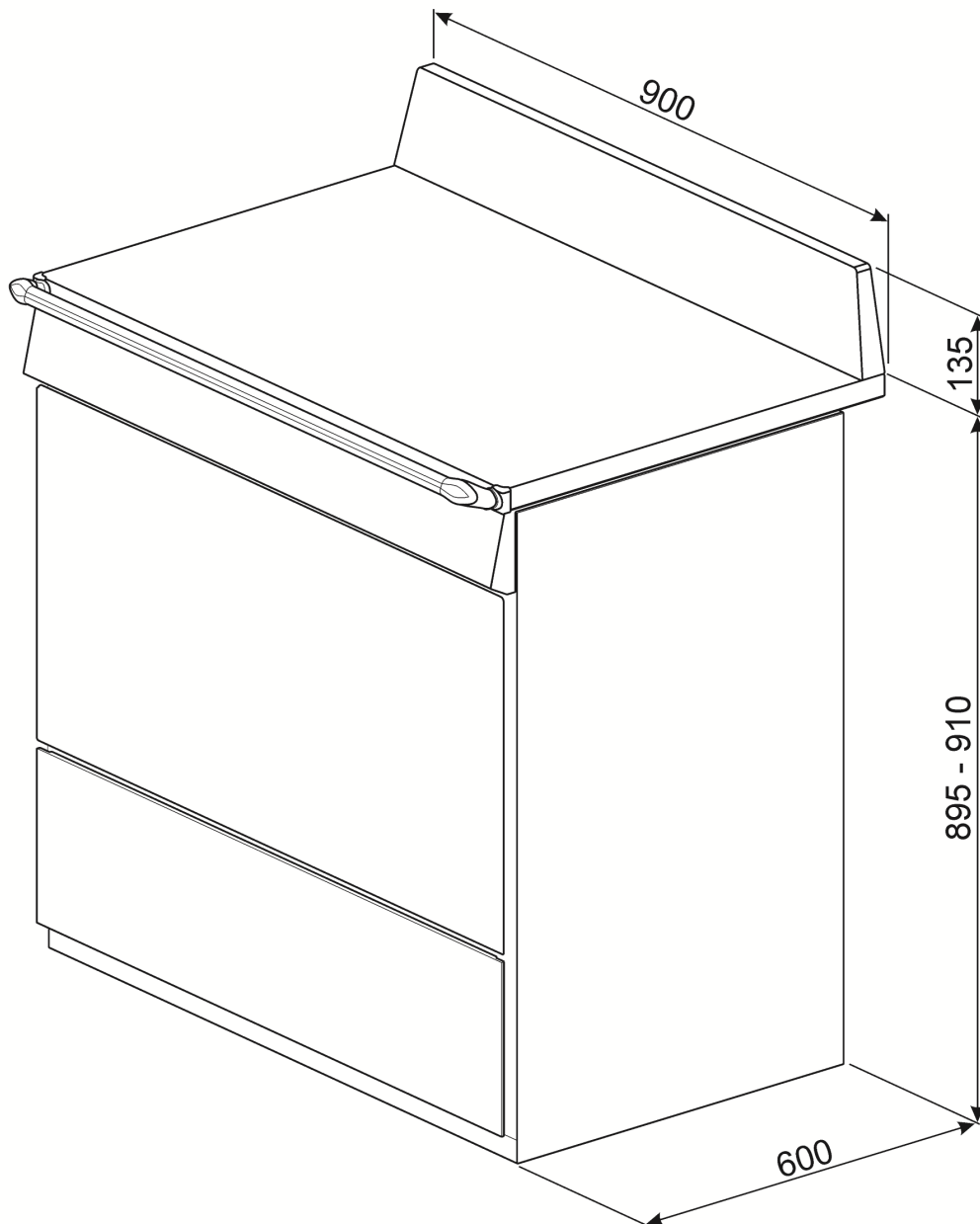
#### Gas hob

Capacity	5 burners Centre (wok) 18 mj/hr Front left 12.0 mj/hr Rear left 7.5 mj/hr Front right 3.9 mj/hr Rear right 7.5 mj/hr
Gas input	Set for natural gas, regulator supplied, adapt for ULPG, no regulator required
Safety	Flame failure device fitted to each burner
Supplied accessories	1 x Cast-iron wok stand

# TRA90BL2NPF

## SMEG 90CM FREESTANDING COOKER

### Functions



PLEASE NOTE: drawings are not to scale. They are to assist only.

WARNING: technical specifications and product sizes can be varied by the manufacturer without notice.

Cutouts for appliances should only be by physical product measurements. The above information is indicative only.