

# SR601X

## SIDE BY SIDE REFRIGERATOR



EAN 9345025001856

Finish	Stainless steel
Dimensions	912mmW x 1770mmH x 735mmD (including handle)
Gross Capacity	Refrigerator: 380L Freezer: 242L Total: 622L

### REFRIGERATOR

No. Shelves	4 x spill proof safety glass shelves
No. Drawers	2 x storage compartments
No. Door Shelves	5 x door shelves
Lighting	LED
Accessories	Wine bottle holder

### FREEZER

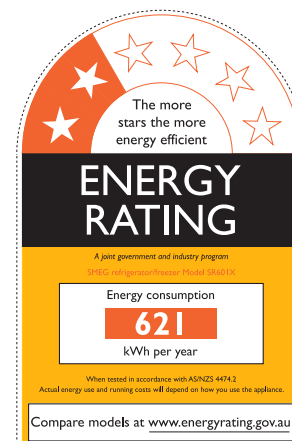
No. Shelves	3 x spill proof safety glass shelves
No. Drawers	2 x storage compartments
Freezer door	5 x shelves
Defrost	Frost Free

### FEATURES

LED touch display  
turbo-x cooling  
Power off and temperature alarm  
Wine bottle holder  
Low noise  
No frost  
Child lock control panel  
2 x ice trays

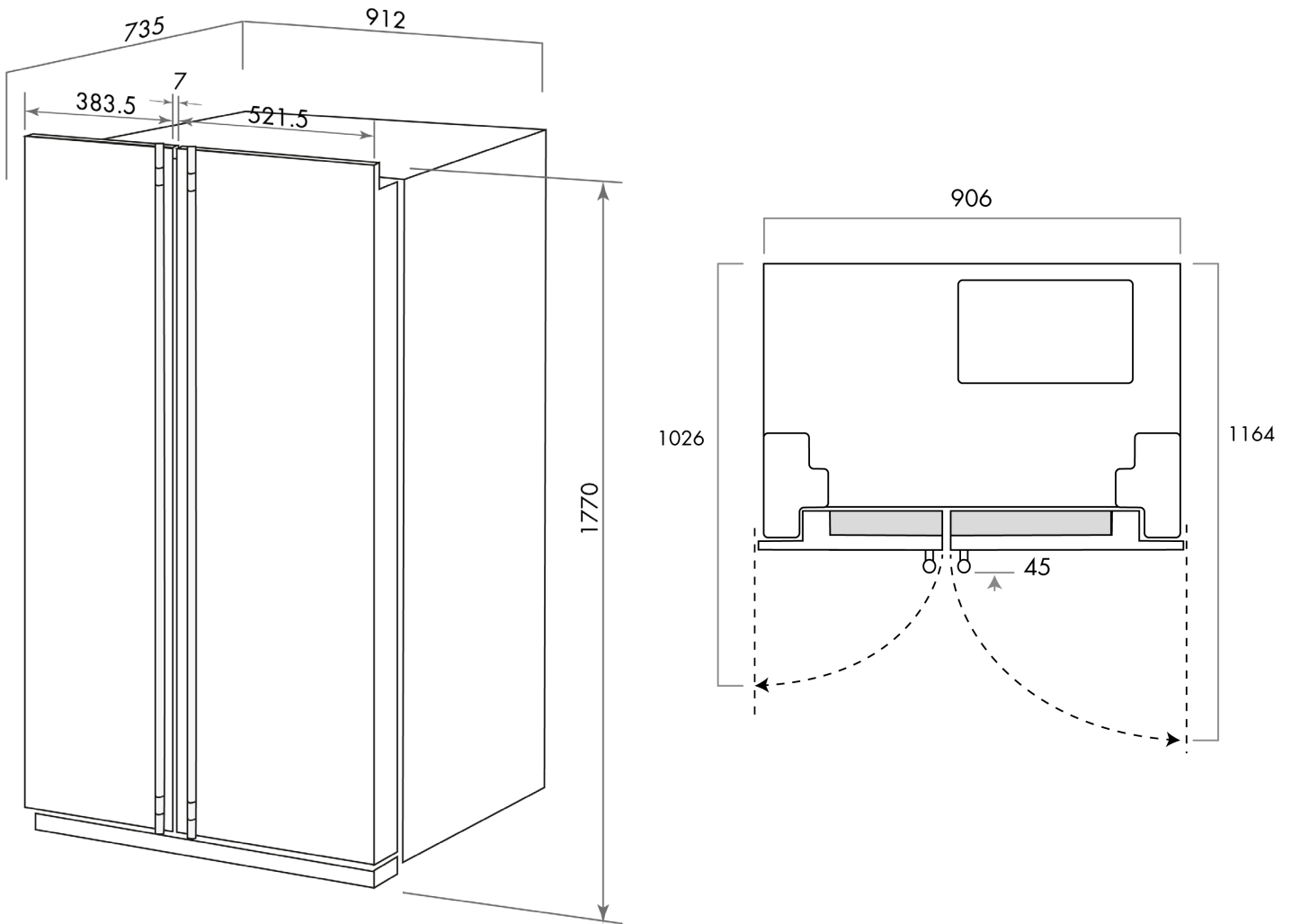
### PERFORMANCE

Energy Consumption	621 kWh/year
Star Rating	2 Star
Power	220-240V, 50Hz 10A (3-pin plug)
Warranty	2 years parts and labour
Weight	98kg



ID190228

**SR601X**  
SIDE BY SIDE REFRIGERATOR



PLEASE NOTE: drawings are not to scale. They are to assist only.  
 WARNING: technical specifications and product sizes can be varied by the manufacturer without notice.  
 Cutouts for appliances should only be by physical product measurements. The above information is indicative only.