

TRA90BL9 SMEG 90CM FREESTANDING COOKER



EAN 8017709236977

Dimensions	900mmW x 895-910mmH x 600mmD (Height excludes 135mm splashback)
Finish	Black enamelled metal
Installation	Freestanding
Display	5 button LED programmer
Main oven	
Capacity	126L
Total functions	10
Door glass	Triple glazed
Cooking levels	5
Thermostat	50-260°C
Programmability	Fully programmable
Cleaning	Vapour Clean
Lighting	2 x 40W halogen
Safety	Thermal overload protection
Supplied accessories	2 x 40mm deep baking tray 2 x Chrome wire shelf 1 x Chrome wire rack 1 x Rotisserie kit
Optional accessories	GT1P-2 - Partial telescopic guides GT1T-2 - Total telescopic guides
Power	220-240V, 50/60Hz 3200W 14A
Warranty	Two years parts and labour



THERMOSEAL

The seal of Smeg's quality, technical excellence and taste: succulent roasts, crisp pastry and impressive baking is achieved in Smeg's unique, perfectly controlled cooking environment. Thermo Seal maintains the perfect atmospheric balance in the cavity for optimum cooking conditions.



EVER CLEAN ENAMEL

The superior quality of Smeg's patented Ever Clean enamel, which is highly durable and easy to clean, is the result of nearly 70 years of enameling expertise; ensuring long-life performance of every Smeg oven.



VAPOUR CLEAN

Smeg's Ever Clean enamel's tough surface has a glassy finish, so a simple spray of water and detergent around the cavity in conjunction with the Vapour Clean option will generate heat and steam to soften any grease for a wipe-clean result.



SOFT CLOSE DOOR

The new soft-close mechanism on Smeg's oven doors ensures a two-stage soft and quiet close. Smeg's quality hinges also ensure the door will not drop on opening, an intrinsic safety feature.

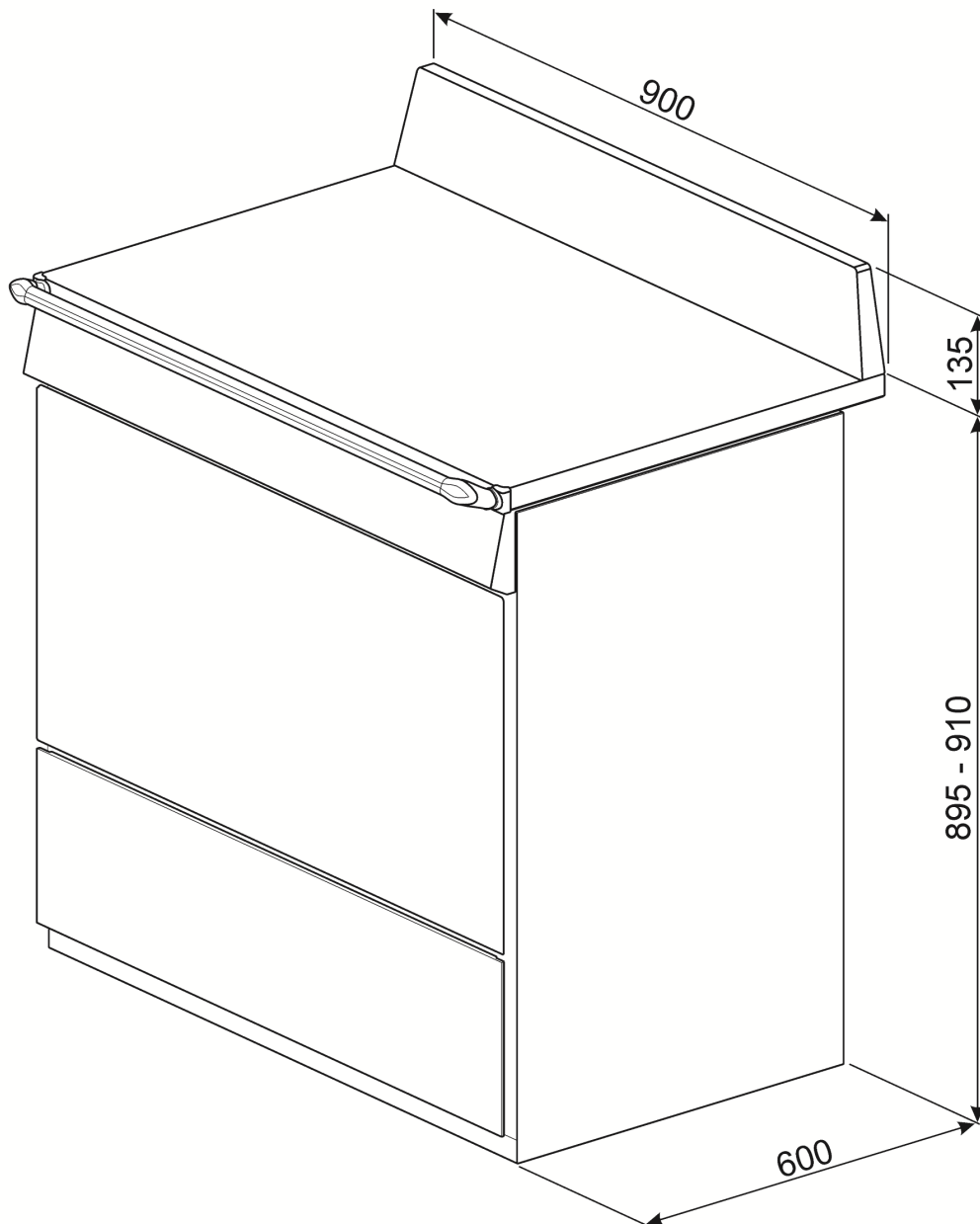
Gas hob

Capacity	5 burners Centre (wok) 18 mj/hr Front left 12.0 mj/hr Rear left 7.5 mj/hr Front right 3.9 mj/hr Rear right 7.5 mj/hr
Gas input	Set for natural gas, regulator supplied, adapt for ULPG, no regulator required
Safety	Flame failure device fitted to each burner
Supplied accessories	1 x Cast-iron wok stand 1 x Cast-iron moka stand

TRA90BL9

SMEG 90CM FREESTANDING COOKER

Functions



PLEASE NOTE: drawings are not to scale. They are to assist only.

WARNING: technical specifications and product sizes can be varied by the manufacturer without notice.

Cutouts for appliances should only be by physical product measurements. The above information is indicative only.