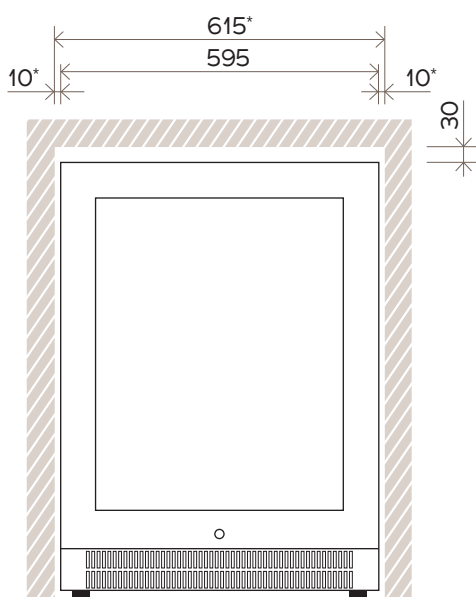
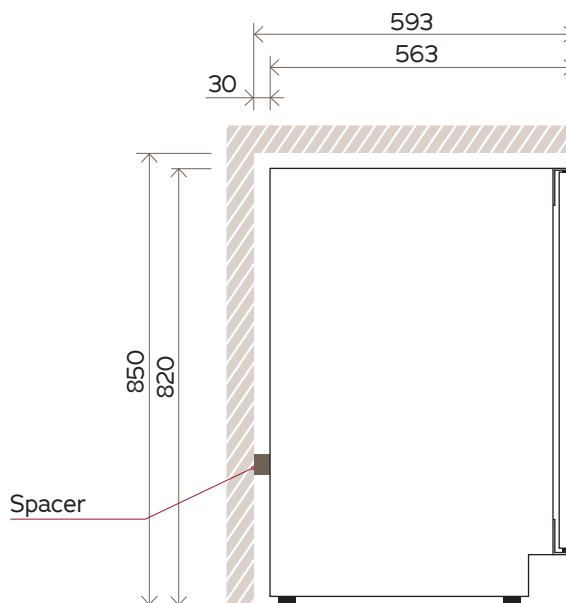


VWS05OSSA (V40SGES3)
VWS05OSBA (V40SGEBK)
VWDO5OSBA (V40SG2EBK)

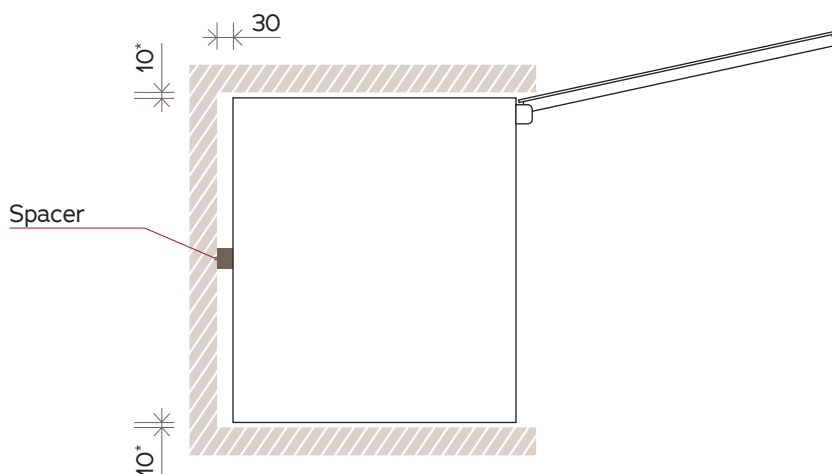
VWDO5OSSA (V40SG2ES3)
VBS05OSSA (V40BVCS3)
VBS05OSBA (V40BVCBK)



FRONT VIEW



SIDE VIEW



TOP VIEW

NOTE: Illustrations not to scale.
All dimensions in millimetres.

* Minimum 10mm required whether proud-fit or flush-fit, however 30mm is recommended on the opening edge for easy finger grip access when installed flush-fit.

For complete installation instructions, please refer to the user manual for this product.