

WFE9515SD

90cm dual fuel freestanding oven with 5 burner gas cooktop, multi-function 8 oven with Twin Fan, and 125L gross capacity.

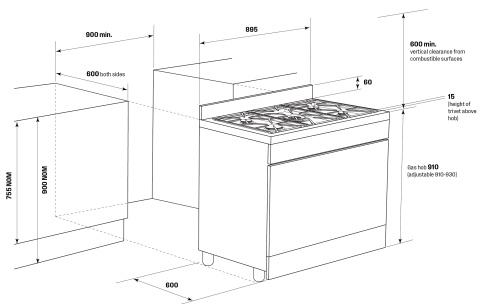
Features

- Fast Heat Up
- Twin Fan System
- Telescopic runners
- Cooler touch door
- Programmable timer
- Large 125L gross oven capacity
- High powered 14.4 MJ/h wok burner
- Cast iron trivets
- Triple glazed oven door glass
- Handy storage compartment
- Fingerprint resistant stainless steel
- Clip-on plinth included
- LP Conversion Kit



90cm freestanding cooker

WFE9515SD,
WFE9516SD,
WFE9717DD



IMPORTANT
These dimensions are a guide only. All measurements are in millimetres (mm).
For complete installation instructions, refer to the manual provided with product.

Product Dimension

Total height (mm) - 910, Total width (mm) - 895, Total depth (mm) - 600

Flush fit cut out

Flush fit cut out height (mm) - 900, Flush fit cut out width (mm) - 900, Flush fit cut out depth (mm) - 600