

90cm electric freestanding oven with 5 zone ceramic cooktop, multi-function 8 oven, AirFry, 125L gross capacity, and Hob2Hood.

RRP AUS \$3,799.00



Product Details

FEATURES

AirFry	Fast Heat Up	Twin Fan System	Telescopic runners
Large 125L gross oven capacity	2.3kW powerful zone	Triple Zone	Hob2Hood
Dual Zone	Cooler touch door For added safety and confidence in the kitchen, our cooler touch door is beautifully designed with a large window, so you can keep a close eye on your cooking.	Programmable timer	Hot surface indicator
Triple glazed oven door glass	Handy storage compartment Extra storage always comes in handy, so with a clever storage compartment you can easily stow away any extra pots and pans.	Fingerprint resistant stainless steel	Clip-on plinth included

BENEFITS

AirFry for that perfect, crunch
When a food craving hits, make healthier and delicious food right in your oven with minimal oil. Deliver all the flavour and none of the guilt. AirFry allows you to make healthier, tasty meals for the entire family right in your oven.

Fast heat up time
Every moment counts, so while your oven heats up super-fast you can save time and get on with cooking the dishes you and your family love.

Twin fan system for even cooking

Cook each dish to perfection with the Twin Fan System. Fans rotate in opposite directions, distributing heat evenly throughout the oven, so you enjoy great results every time.

Designed for ease and safety

Telescopic runners are another piece of thoughtful design that makes it easy to draw racks out and safely check on your dishes during cooking.

All the room for all your family favourites

If you are serious about creating delicious family feasts and you love entertaining, you'll be right at home with our 90cm oven with a generous 125L gross capacity. That's plenty of room for the biggest Christmas turkey or a weekend roast for all the family. The extra width makes getting things in and out super easy.

Triple zone, for pots of different sizes

Whether you're using your smallest pan or your larger pot there's an extra large cooking zone to handle them all. With the ability to adjust its diameter into three sizes, this unrivalled flexibility gives you the freedom to create your best meals yet.

Clear the air with Hob2Hood

With Hob2Hood technology, compatible rangehoods work seamlessly with your Freestanding cooker to clear your kitchen of cooking smells and steam. As you start cooking, the rangehood will automatically turn on then intuitively adjust the fan speed and airflow to match your cooking. How's that for hands-free convenience?

Built in Australia

Westinghouse, has been the heart of the home for generations and the kitchen appliance brand we have always known and trusted to build reliable products. This oven is built in a local factory in Adelaide.

Specifications

PRODUCT PROFILE

Domestic warranty details (yrs)	2
---------------------------------	---

Oven fuel	electric
-----------	----------

Materials/Colour	mark resistant stainless steel
------------------	--------------------------------

Controls of Oven	control knob,3 button touch control LED
------------------	---

Cooling fan	Yes
-------------	-----

Plinth colour (kickboard)	stainless steel
---------------------------	-----------------

Anti tilt plate	Yes
-----------------	-----

Front/rear controls	front
---------------------	-------

FLUSH FIT CUT OUT

Flush fit cut out height (mm)	900
-------------------------------	-----

Flush fit cut out width (mm)	900
------------------------------	-----

Flush fit cut out depth (mm)	600
------------------------------	-----

DIMENSIONS

PRODUCT DIMENSION

Total height (mm)	906
-------------------	-----

Total width (mm)	895
------------------	-----

Total depth (mm)	600
------------------	-----

MAIN OVEN

Gross capacity litres	125
-----------------------	-----

Useable capacity litres	116
-------------------------	-----

Oven function	multifunction
---------------	---------------

MAIN OVEN

Number of functions	8
Oven liner	pyrolux high temperature enamel
Timer functions	duration,end,minute minder,oven start,Countdown
Lights	2
Light wattage	25
Light position	top
Light activation by door	Yes
Layers of glass in door	3
Telescopic runners	one
Shelf support	Easy glide side racks
Number of shelves	2
Number of shelf positions	5
Safety features	cool door
Closed door grilling	Yes

ELECTRICAL CONNECTION

Connected load KW	12.8
-------------------	------

Maximum current rating (amps)	53.3
-------------------------------	------

Type of connection	hardwired
--------------------	-----------

STUFFING QUANTITIES

20ft	32
------	----

40ft	64
------	----

40ft HC	90
---------	----

ELEMENTS/BURNERS

Cooking zones	5
---------------	---

SHIPPING

Shipping Volume (m3)	0.675
----------------------	-------

Shipping Weight (Kg)	85
----------------------	----

Pack Dimensions Height (mm)	900
-----------------------------	-----

Pack Dimension Width (mm)	1000
---------------------------	------

Pack Dimension Depth (mm)	750
---------------------------	-----

COOKTOP (IF APPLICABLE)

PRODUCT PROFILE

Cook top type	ceramic
---------------	---------

Materials/Colour	black ceramic glass
------------------	---------------------

Removable trim (for cleaning)	No
-------------------------------	----

Wok included designed to fit cooktop	No
--------------------------------------	----

LEFT FRONT ZONE

Left front Watts	1200
------------------	------

Left front number of cooking zones 1

LEFT REAR ZONE

Left rear zone ceramic triple

Left rear watts 800

Left rear number of cooking zones 1

CENTRE FRONT ZONE

Centre front Watts 1400

Centre front number of cooking zones 1

RIGHT FRONT ZONE

Right front Watts 1800

Right front number of cooking zones 1

RIGHT REAR ZONE

Right rear watts 1200

Right rear number of cooking zones 1

CONTROLS

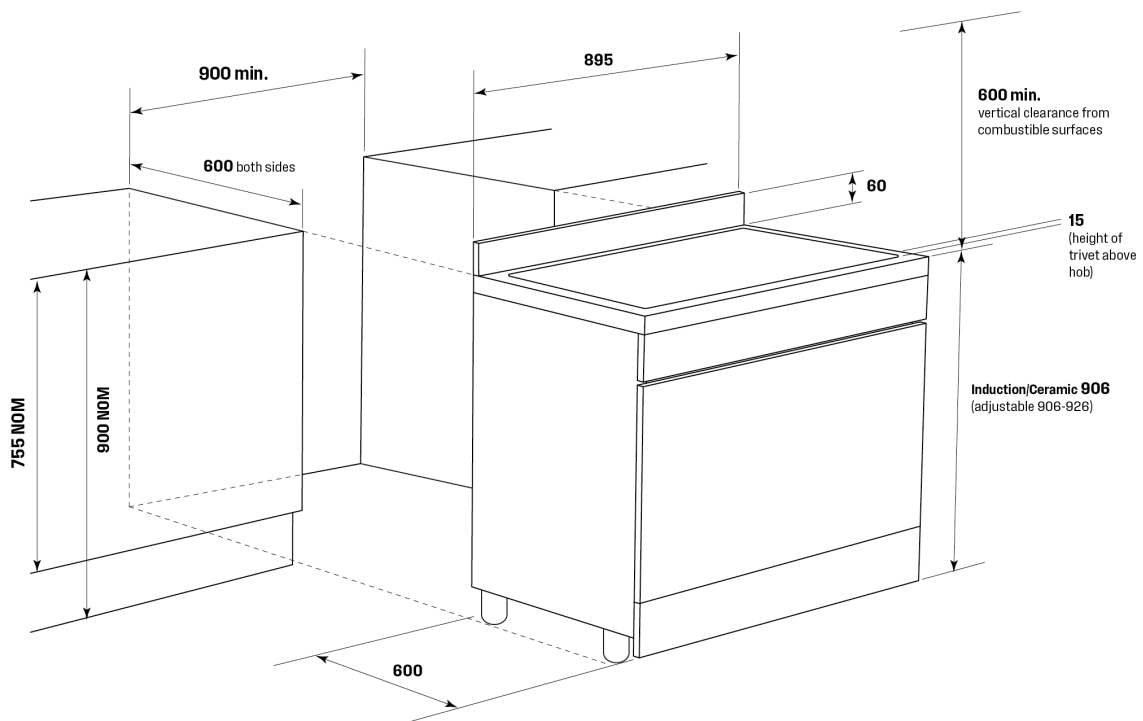
Position of controls front

Functions of Cooktops acoustic signal,pause,Hob2Hood

Dimensions

90cm freestanding cooker

WFE9546SD,
WFEP9757DD



IMPORTANT

These dimensions are a guide only. All measurements are in millimetres (mm).
For complete installation instructions, refer to the manual provided with product.

Terms and Conditions

IMPORTANT

This is a guide of product dimensions only. For complete installation instructions, refer to the manual provided with product.

PRODUCT INFORMATION

The descriptors and illustrations in this publication apply to the specific products and models described as at the date of issue. Under our policy of continuous product development, product specifications may change without notice. Prospective purchasers should therefore check with their retailer to ensure this publication correctly describes the products that are being offered for sale. All information supplied is to be used for general reference purposes only and is on the understanding that Electrolux Home Products Pty Ltd (Australia) and Electrolux (NZ) Ltd (New Zealand) will not be liable for any loss, liability or damage of whatever kind arising as a result of reliance on such information. Colours of products illustrated are as close as printing limitations allow. Electrolux will at all times comply with its obligations pursuant to law including Trade Practices (Australian Consumer Law) Act and Regulations.

WARRANTY

This warranty only applies to Appliances purchased and used in Australia or New Zealand and used in normal domestic applications and is in addition to (and does not exclude, restrict, or modify in any way) any non-excludable statutory warranties in Australia or New Zealand. All warranties are subject to the conditions set out in the warranty card accompanying the product when purchased.

ELECTROLUX HOME PRODUCTS AUSTRALIA

telephone: 1300 363 640

fax: 1800 350 067

email: customercare@electrolux.com.au

web: www.electrolux.com.au

ELECTROLUX HOME PRODUCTS NEW ZEALAND

telephone: 09 573 2230

fax: 09 573 2221

email: customercare@electrolux.co.nz

web: www.electrolux.co.nz