

WMF2905GA

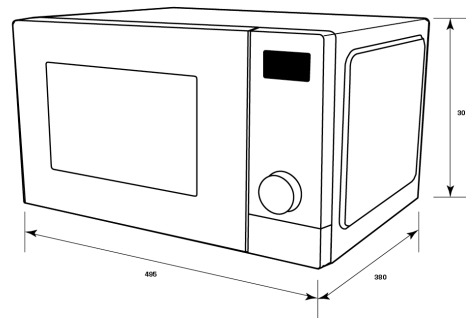
29L dark grey countertop microwave oven, Inverter, 900W power, touch and dial control, and auto-return turntable.

Features

- Inverter technology
- Quick and easy-to-use dial control
- One touch Quick start
- Auto-return turntable
- 900 watts power
- 9 auto menus
- 10 power levels



Microwave
WMF2905GA



Product WxHxD (mm)	495 x 302 x 380
--------------------	-----------------

IMPORTANT
These dimensions are a guide only. All measurements are in millimetres (mm).
For complete installation instructions, refer to the manual provided with product.

© 2023 Electronics Home Products Pty Ltd ABN 61-004 762 241. WMS_DMS_AupH_Pha_WM2905GA_Apr23

Product

Total height (mm) - 302, Total width (mm) - 495, Total depth (mm) - 380

Internal

Turntable diameter (mm) - 288