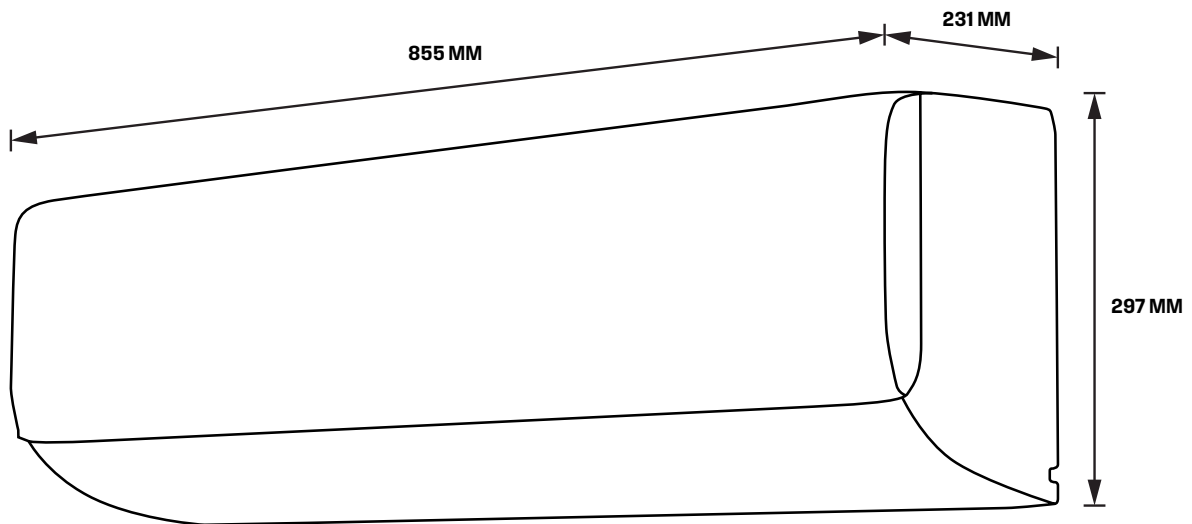
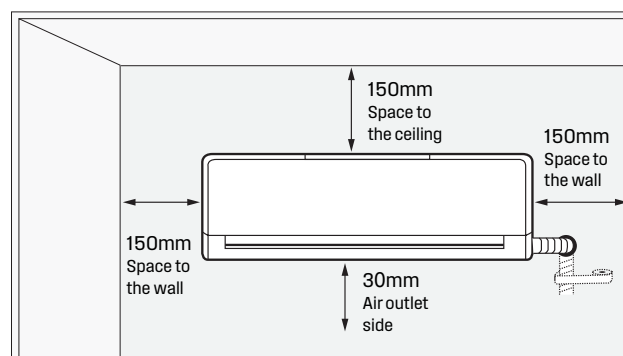


Split System Air conditioners

WSD27HWA



Minimum clearance for installation



WSD27HWA	Total width (W)	Total depth (D)	Max height (H)
Internal unit dimensions	855	231	297
Outdoor unit dimensions	805	330	554

IMPORTANT

These dimensions are a guide only. All measurements are in millimetres (mm).
For complete installation instructions, refer to the manual provided with product.