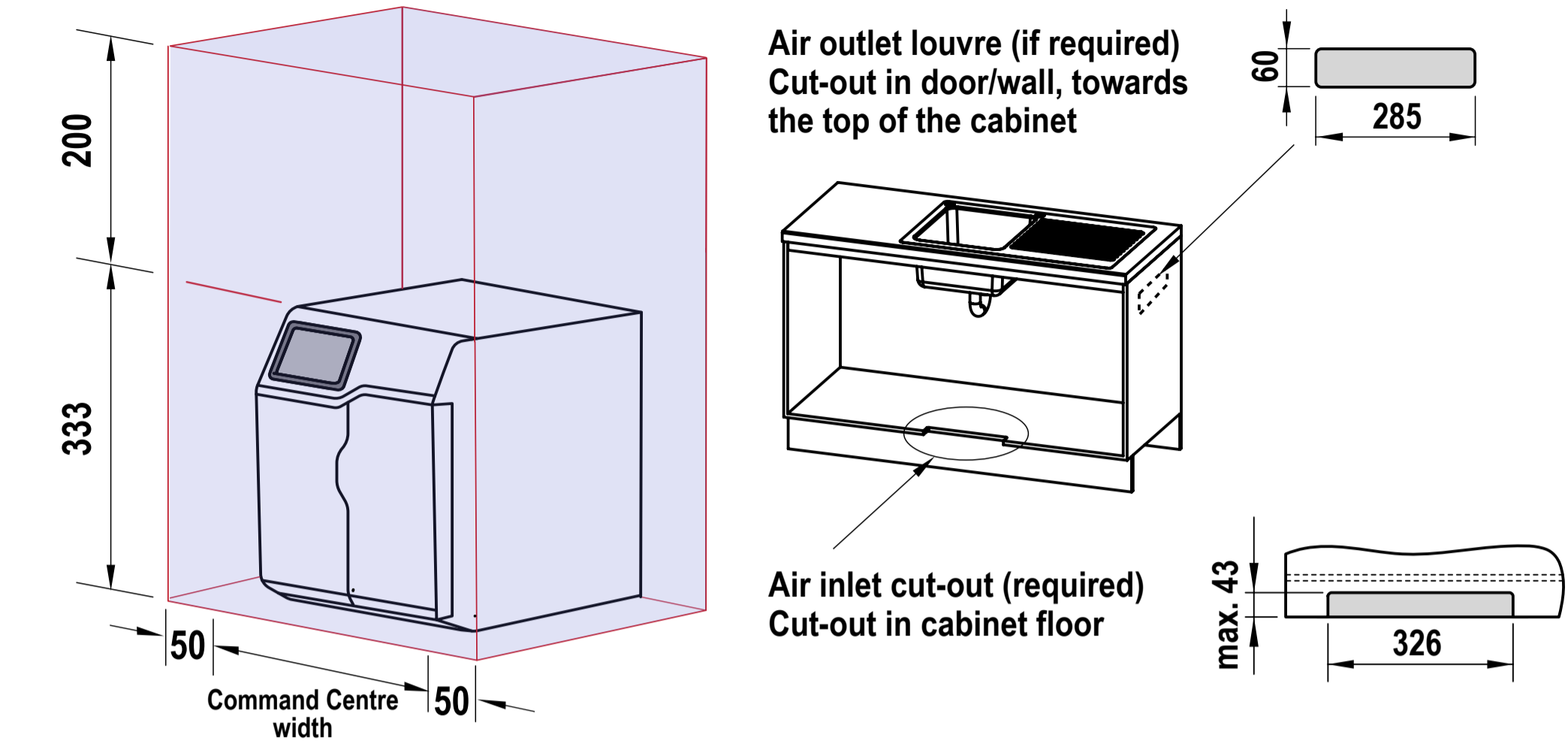


Ventilation requirements Contact your local service provider if ventilation is not suitable

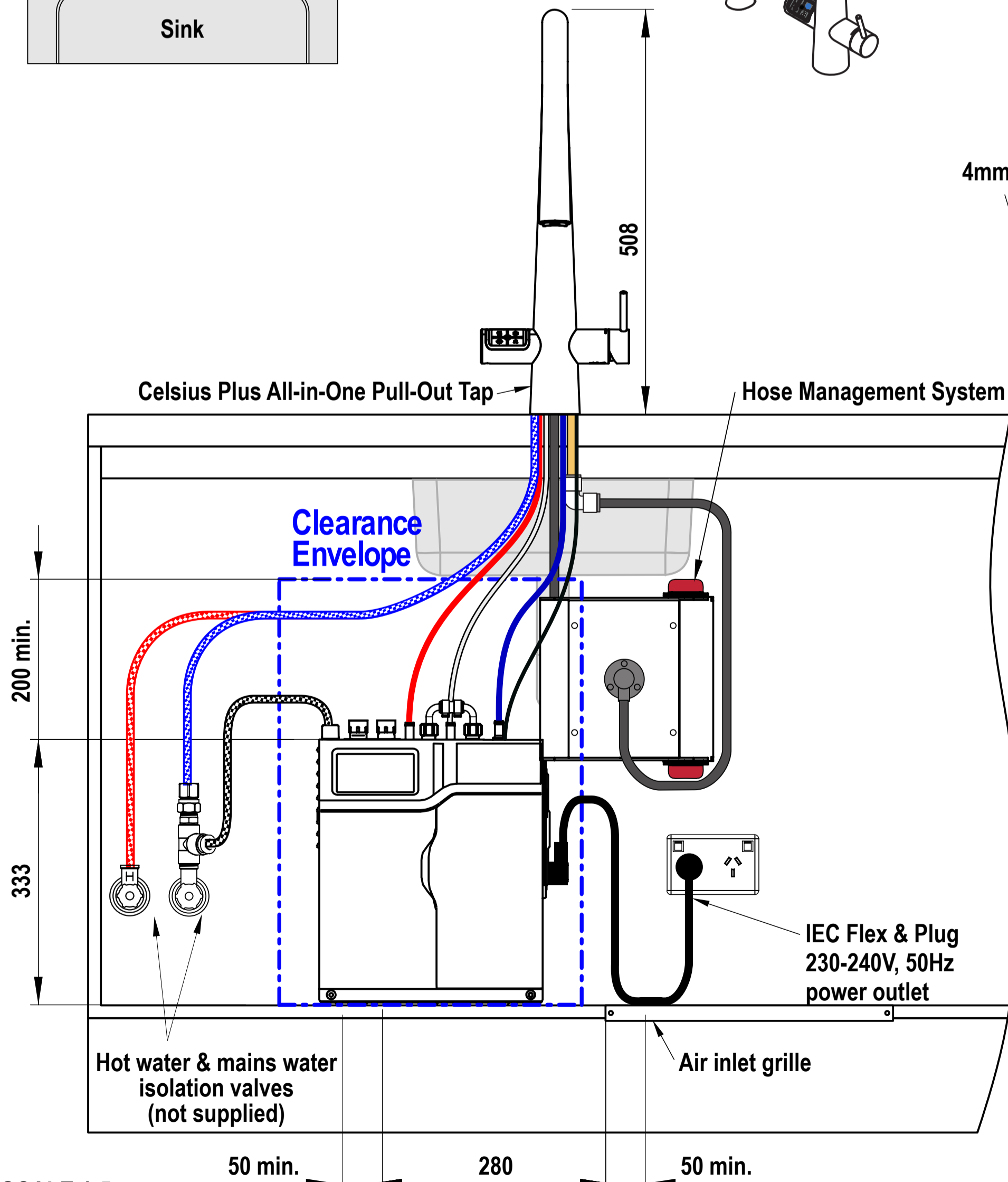
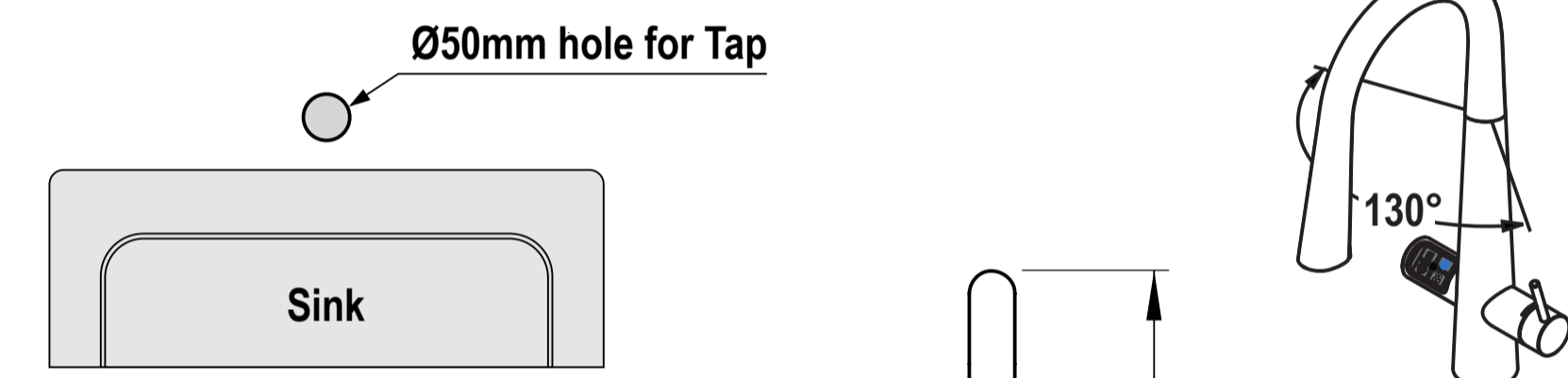
Clearance envelope

Position the Tap and the Command Centre as close together as possible.



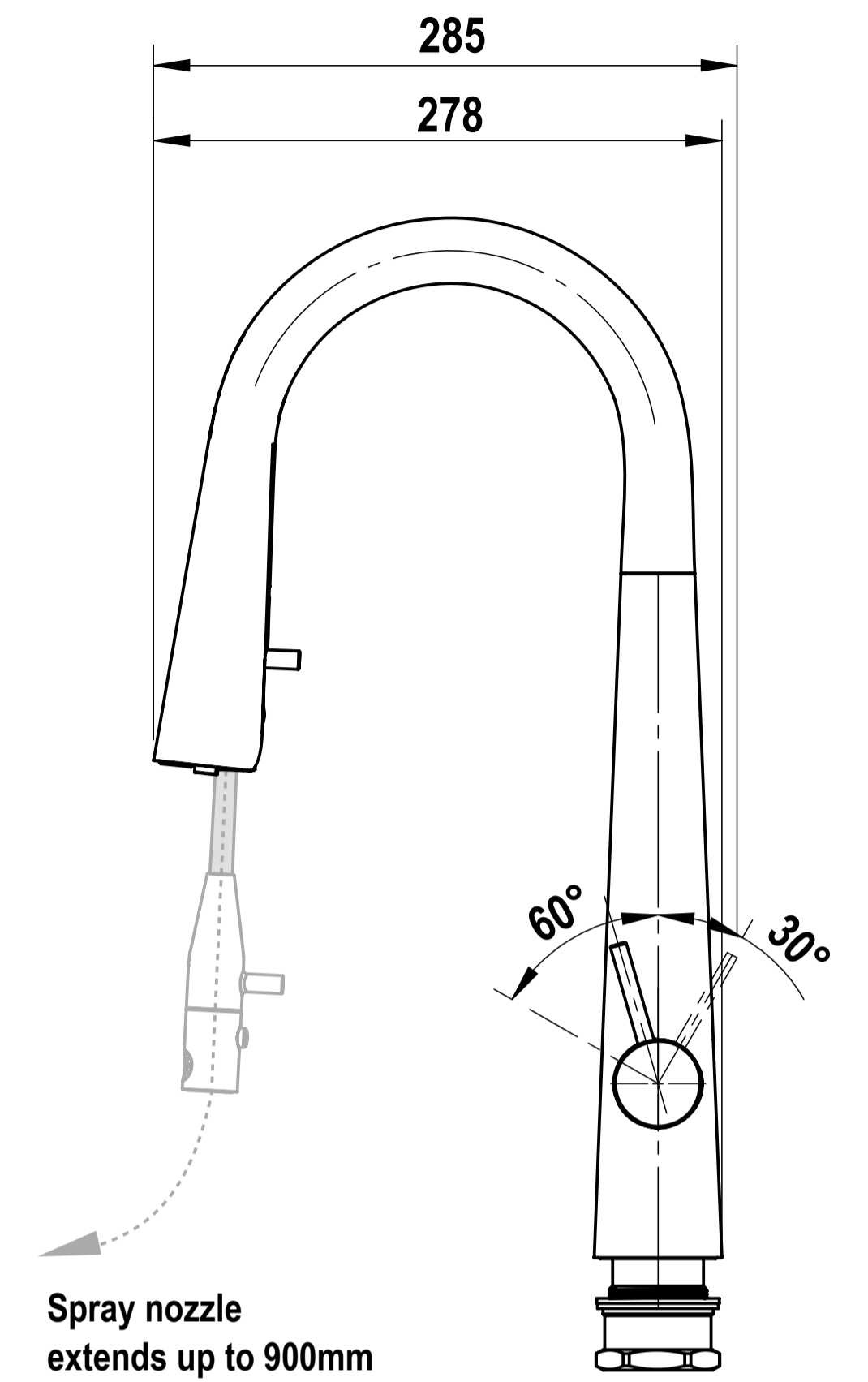
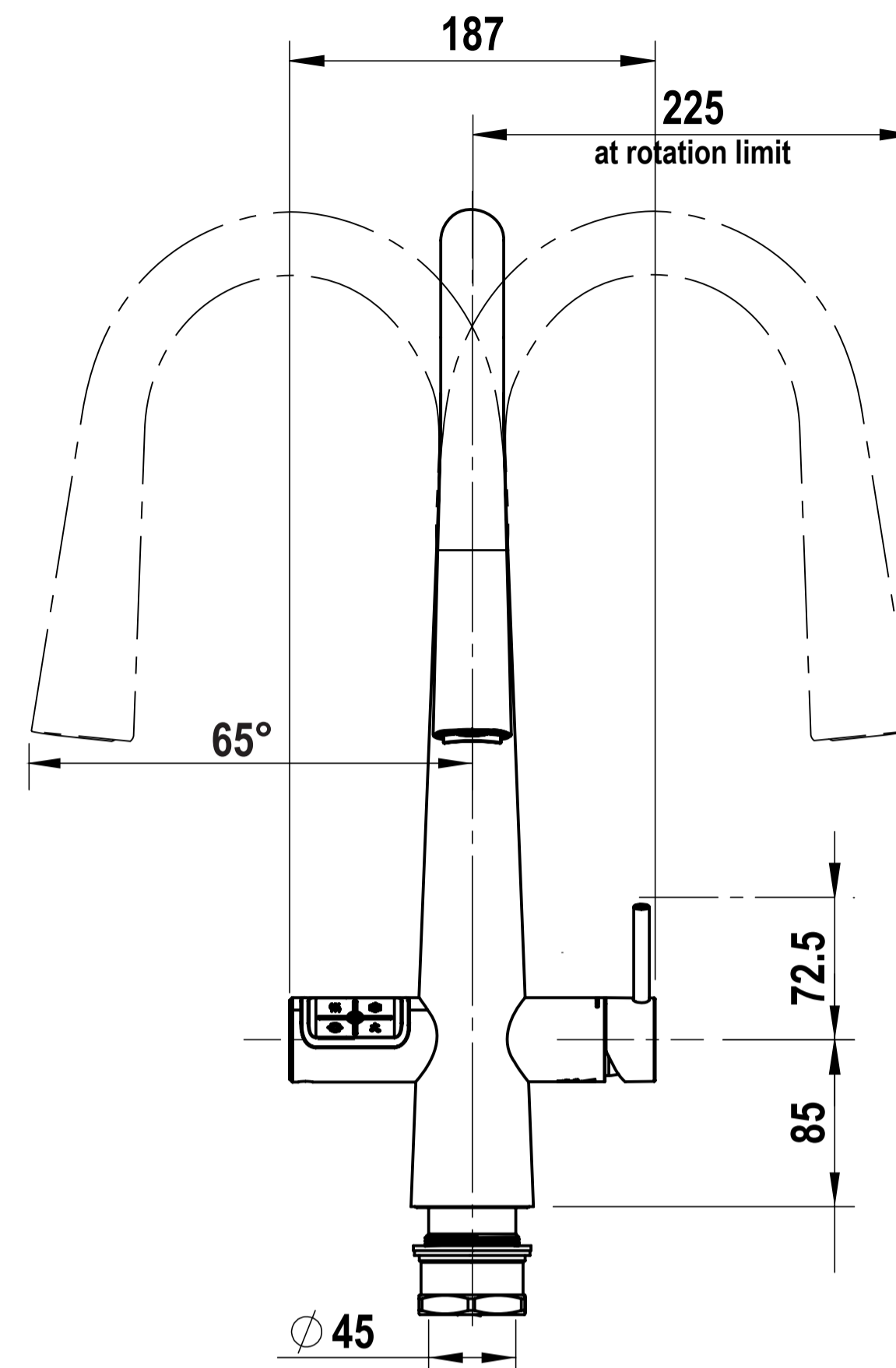
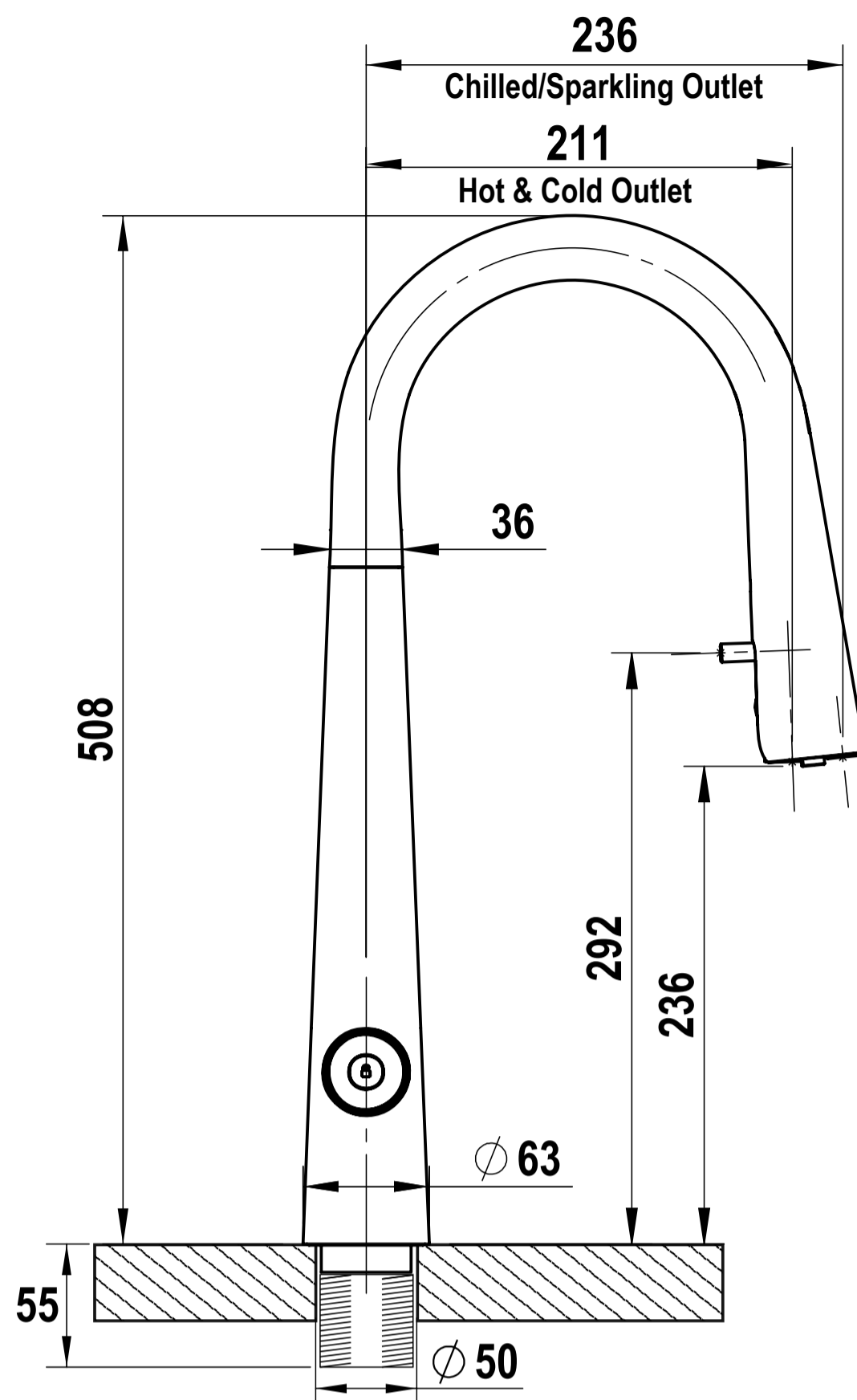
Tap Positioning

Position the Tap to dispense into the sink, allowing clearance for a cup or teapot.

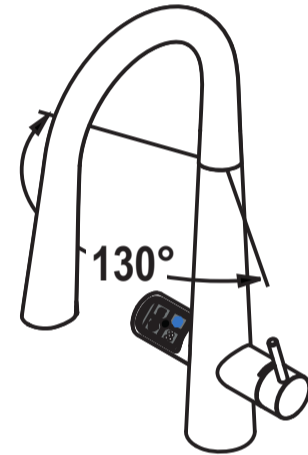


HydroTap Tap options

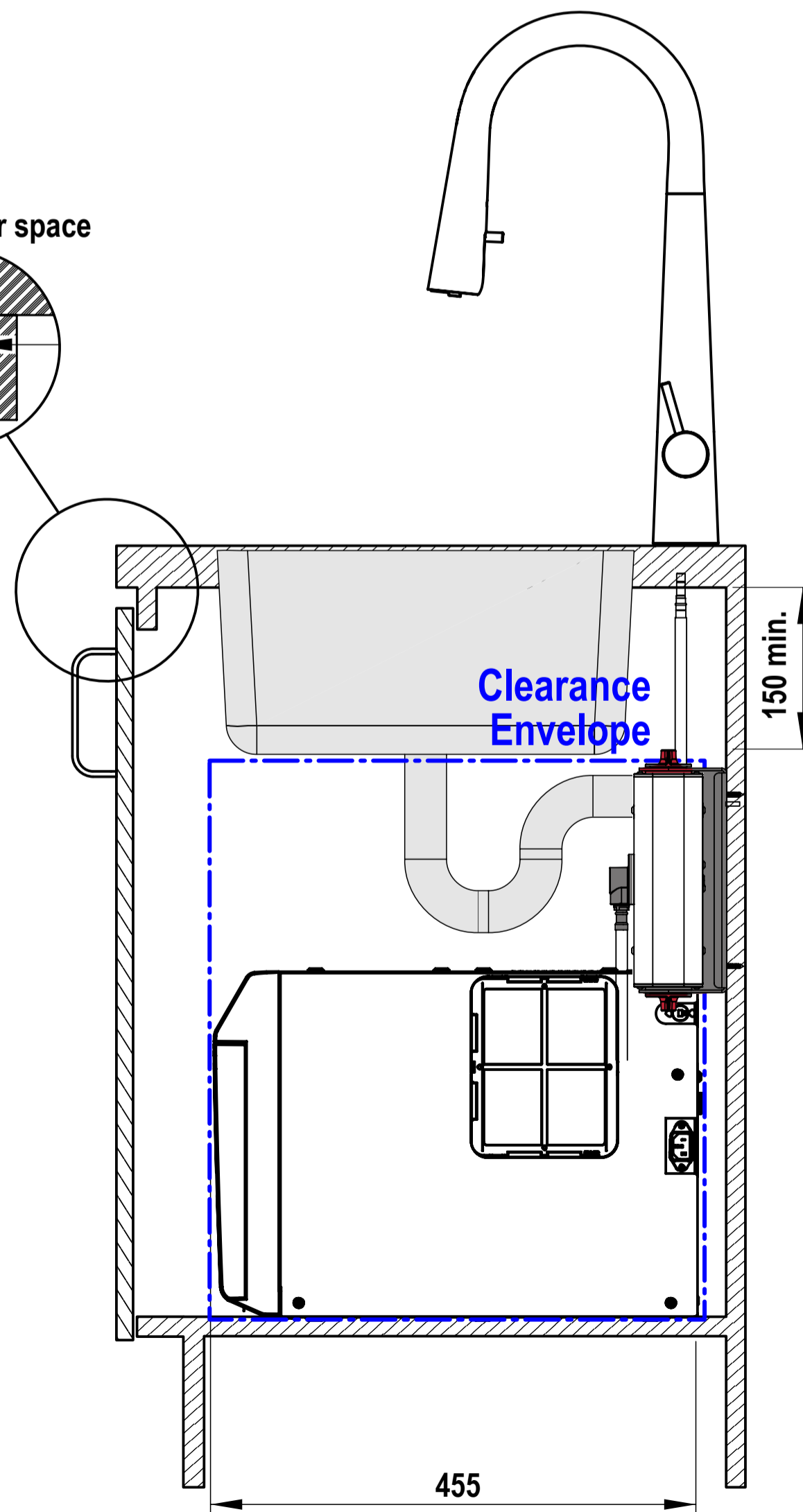
Celsius Plus All-in-One Pull-Out Tap



Allow clearance for spout rotation



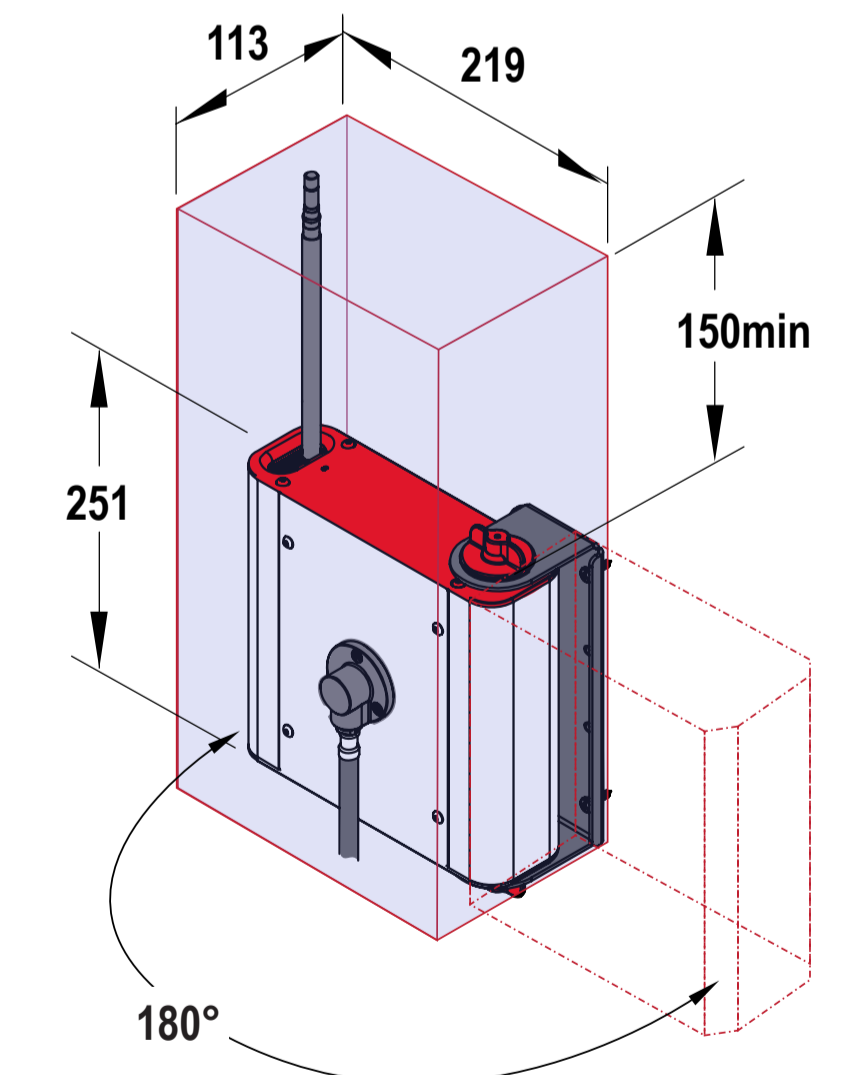
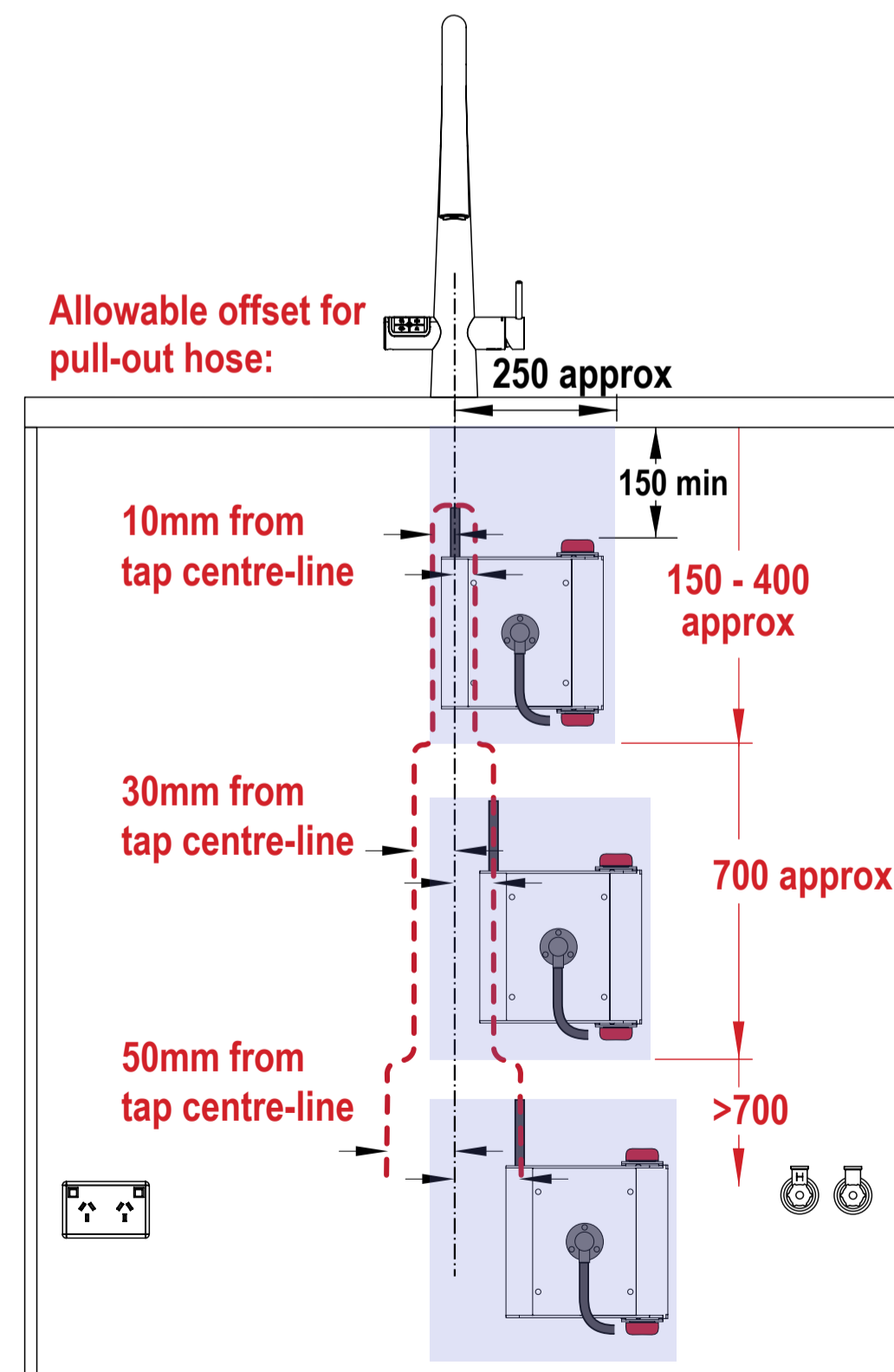
4mm buffer pad air space



Hose Management System

For ease of installation, the wall area directly under the tap and to either the right or left side, as shown, should be clear of obstructions. Locate water and electricity outlets elsewhere.

Rotate the Hose Management System to align the pull-out hose within the allowable offset. Refer to the instructions supplied.



**HydroTap G5
BC Home, BC20**

shown with Celsius Plus All-in-One Pull-Out Tap