

**Serie | 4, Heat Pump Dryer, 8 kg
WTH8300AU****Optional accessories**

WMZ20600 : Wool in basket - accessory

WTZ1110 :

WTZ11400 : Stacking kit with pull-out shelf

WTZ20410 : Stacking kit

WTZPW20D : Platform with pull-out, dryer, cubic

Technical Data

Construction type : Freestanding

Removable top : No

Door Hinge : Right

Color / Material housing : White

Power cord length : 145.0 cm

Height of removable worktop : 0 mm

Overall appliance dimensions (HxWxD) : 842 x 598 x 613 mm

Net weight : 46.4 kg

Drum volume : 112 l

Fluorinated greenhouse gases : No

Type of refrigerant : R290

Hermetically sealed equipment : Yes

Quantity of fluorinated gases : 0.140 kg

The quantity expressed in CO₂ equivalent : 0.000 t

Watts : 600 W

Fuse protection : 10 A

Volts : 220-240 V

Frequency : 50 Hz

Approval certificates : CE, VDE

Drying process : automatic

Capacity cotton - NEW (2010/30/EC) : 8.0 kg

Energy efficiency rating : A+

Power consumption in off-mode - NEW (2010/30/EC) : 0.10 W

Power consumption in left-on mode - NEW (2010/30/EC) : 0.50 W



4 242005 311286

**Serie | 4, heat pump tumble dryer, 8 kg
WTH8300AU**



Optional accessories

WMZ20600 : Wool in basket - accessory
WTZ1110 :
WTZ11400 : Stacking kit with pull-out shelf
WTZ20410 : Stacking kit
WTZPW20D :

Easy to use heat pump dryer for efficient drying with easy to clean filter

- ActiveAir Technology reuses existing heat efficiently during the entire drying process.
- **AutoDry:** automatically dries to the exact degree of dryness you'd like.
- **SensitiveDrying System:** for gentle drying without wrinkles.
- **Anti-crease:** laundry is automatically loosened once program finished and does not crease.
- **Time remaining:** Shows up on the display ensuring visibility into remaining time of your drying program.

Technical Data

Built-in / Free-standing : Freestanding
Removable top : No
Door hinge : Right
Color / Material body : White
Length electrical supply cord : 145.0 cm
Height of removable worktop : 0 mm
Dimensions of the product : 842 x 598 x 613 mm
Net weight : 46.4 kg
Drum volume : 112 l
Fluorinated greenhouse gases : No
Type of refrigerant : R290
Hermetically sealed equipment : Yes
Quantity of fluorinated gases : 0.140 kg
The quantity expressed in CO2 equivalent : 0.000 t
Connection Rating : 600 W
Fuse protection : 10 A
Voltage : 220-240 V
Frequency : 50 Hz
Approval certificates : CE, VDE
Drying process : automatic
Capacity cotton - NEW (2010/30/EC) : 8.0 kg
Energy efficiency rating : A+
Power consumption in off-mode - NEW (2010/30/EC) : 0.10 W
Power consumption in left-on mode - NEW (2010/30/EC) : 0.50 W



Serie | 4, heat pump tumble dryer, 8 kg WTH8300AU

Easy to use heat pump dryer for efficient drying with easy to clean filter

Capacity

- Capacity: 8 kg

Consumption rates

- 7 Star energy rating
159 kWh energy consumption per year, based on the Cottons program with drying option Cupboard Dry Plus and Drying Level 1, used once per week

Programs

- Special drying programs:
 - Cottons: hard-wearing items made from cotton or linen with four desired dryless level options: Cupboard Extra Dry / Cupboard Dry / Iron Dry / Eco
 - Easy Care: items made from synthetic or blended fabrics with three desired dryless level options: Cupboard Extra Dry / Cupboard Dry / Iron Dry
 - Shirts/Blouses: designed to allow immediate ironing or hanging up shirts/blouses after the program completes
 - Delicates: items made from satin, synthetic or blended fabrics
 - Towels: hard wearing towels and dressing gowns made of cotton
 - Mixed: items made from cotton or blended fabrics
 - Super 40': short program for synthetic fabrics and light cottons
 - Sportswear: sports and leisure items made from synthetic fibres, microfibre or fleece
 - Timed Program Cold: manually set a custom time for loosening up or airing clothing that has hardly been worn
 - Timed Program Warm: manually set a custom time for drying slightly damp or multi layered thick items
- Touch control option settings:
 - Three dryless level options: Cupboard Dry / Cupboard Dry Plus / Iron Dry
 - Easy Iron: the drum moves the laundry at regular intervals after drying to prevent creasing
 - Finished in (delayed start): you can delay the start of the program by up to 24 hours

Performance

- ActiveAir heat pump technology, existing heat is reused efficiently during the entire drying process
- Easy clean filter for easy maintenance
- Sensitive drying system: textile friendly drum design and SoftFlow paddles ensure soft, fluffy laundry and helps to reduce creasing

Design

- AntiVibration design: for greater stability and quietness
- Large LED display for easy use
- Large water condensation container: If there is no drain hose connected to the appliance the condensation water from the drying cycle will be stored in the condensation container

Convenience

- Time delay to select end of time of your wash (1-24 hours) and time remaining indicator

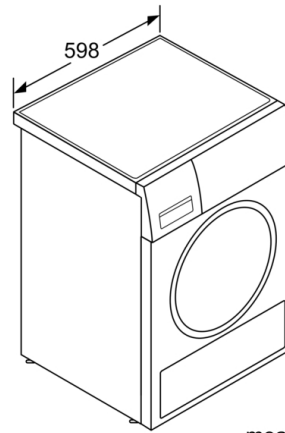
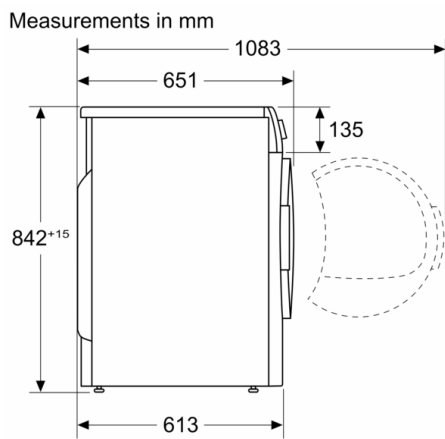
Safety

- Child safety control lock

Technical Information

- Dimensions (H x W x D): 84.2 cm x 59.8 cm x 61.3 cm (65.1 cm including door handle)
- Operating noise level: 65 dB(A)

**Serie | 4, heat pump tumble dryer, 8 kg
WTH8300AU**



measurements in mm