

BDP700W

7kg Sensor Controlled Heat Pump Dryer



EcoGentle™ Drying



OptiSense® Technology



Volumaxx® Space Saver



Reverse Drum Action



Auto Anti-Creasing Function

Design

Colour:	White
Side-Wall Design:	S Shaped
Door Finish:	Grey
Door Opening Angle:	155°C

Performance

Max Loading Capacity:	7kg
Energy Rating:	6 Stars
Energy Consumption:	144 kWh
Voltage:	220-240 V
Frequency:	50 Hz

Technology

Drying Control Type:	Sensor Controlled
Drum Technology:	Aquawave™
Drying Technology:	Heat Pump
FlexySense Drying:	Yes

Control Features

Display:	LED
Time Delay (ending in):	3-6-9 hrs
Water Tank Full Indicator:	Yes
Filter Cleaning Indicator:	Yes
Auto Anti-Creasing:	Yes
Reverse Drum Action:	Yes
Direct Drain:	Yes

Accessories:

Stacking Kit:	Sold Separately
Ean Code:	8690842167416
Manufacturers Warranty:	2 Years & 3 Years by Registration

Programs

Number of Programs	15
Program 1:	Cottons Iron Dry
Program 2:	Cottons Cupboard Dry
Program 3:	Cottons Cupboard Dry+
Program 4:	Cottons Extra Dry
Program 5:	Synthetics Iron Dry
Program 6:	Synthetics Cupboard Dry
Program 7:	Sportswear
Program 8:	Freshen Up
Program 9:	60'
Program 10:	30'
Program 11:	Mix
Program 12:	BabyProtect
Program 13:	Jeans
Program 14:	Gentle Care/Shirts
Program 15:	XPress Super Short

Safety:

Child Lock:	Yes
Overheating Temp. Protection:	Yes

Dimensions & Weights

Unpackaged Height:	846 mm
Unpackaged Width:	597 mm
Unpackaged Depth:	540 mm
Unpackaged Weight:	42.5 kg
Packaged Height:	880 mm
Packaged Width:	650 mm
Packaged Depth:	585 mm
Packaged Weight:	44.0 kg



beko

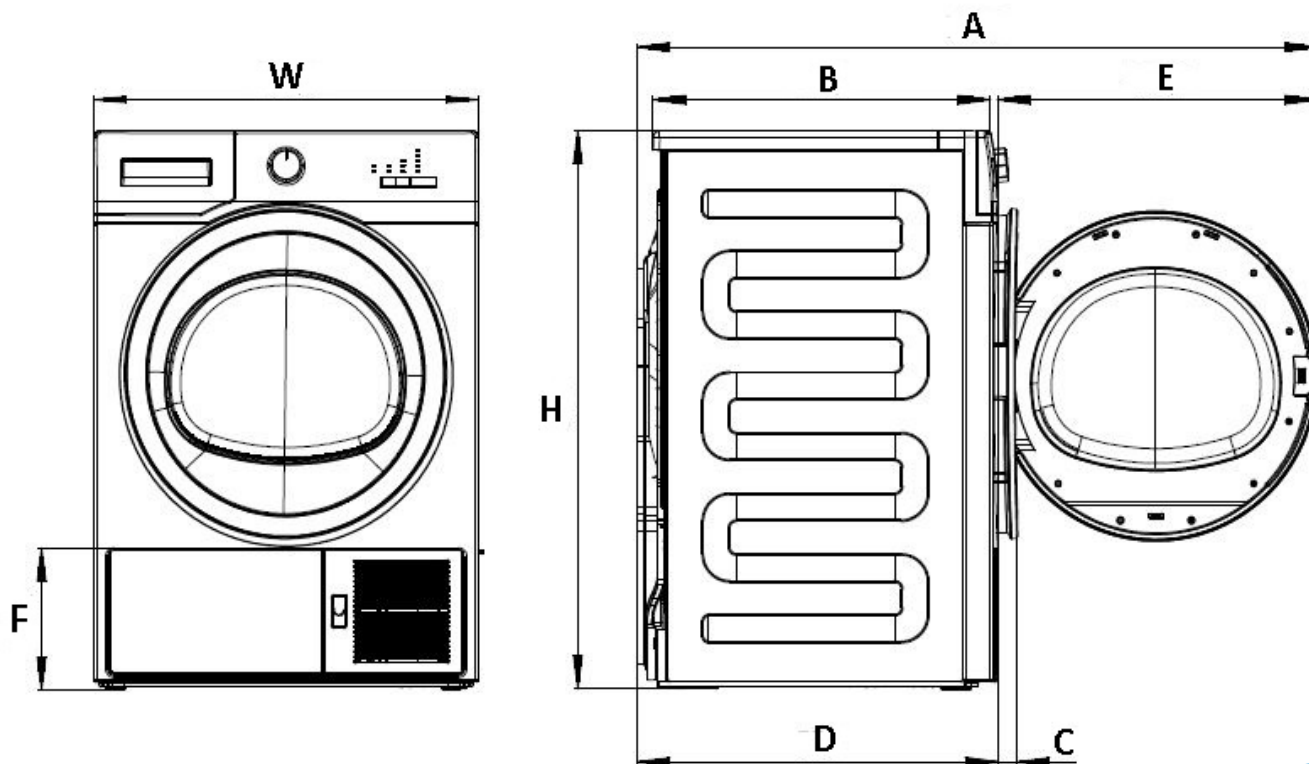
Official partner of
the
everyday

BDP700W

7kg Sensor Controlled Heat Pump Dryer



W	D	H	A	B	C	E	F	Unit
597	558	846	1054	523	31	496	215	mm



beko

Official partner of
the
everyday