

BDP810W

8 Kg Sensor Controlled Heat Pump Dryer



OptiSense® Drying



Aquawave™ Drum Technology



Auto Anti-Creasing Function



Reverse Drum Action



EcoGentle™ Technology

Design

Colour:	White
Side-Wall Design:	S Shaped
Door Finish:	Dark Grey
Door Opening Angle:	178°

Performance

Max Loading Capacity:	8 kg
Energy Rating:	6 Stars
Energy Consumption:	180 kWh
Voltage:	220-240 V
Frequency:	50 Hz

Technology

Drying Control Type:	Sensor Controlled
Drum Technology:	Aquawave™
Drying Technology:	Heat Pump
OptiSense Drying:	Yes

Control Features

Display:	White LED
Control Type:	Knob/Touch Control
Remaining Time Indicator:	Yes
Time Delay:	Yes
Water Tank Full Indicator:	Yes
Filter Cleaning Indicator:	Yes
Auto Anti-Creasing:	Yes
Reverse Drum Action:	Yes
Direct Drain:	Yes

Accessories:

Stacking Kit:	Sold Separately
Drying Rack:	Sold Separately
Ean Code:	8690842203411
Manufacturers Warranty:	2 Years & 3 Years by Registr

Launch Date: 01August 2019

Programs

Number of Programs	15
Program 1:	Cottons Iron Dry
Program 2:	Cottons Eco Dry
Program 3:	Cottons Cupboard Dry
Program 4:	Cottons Extra Dry
Program 5:	Synthetics Iron Dry
Program 6:	Synthetics Cupboard Dry
Program 7:	Drying Rack/TimeDry
Program 8:	Refresh
Program 9:	Delicates
Program 10:	Jeans
Program 11:	Outdoor/Sports
Program 12:	Daily
Program 13:	BabyProtect+
Program 14:	Duvet/Downwear
Program 15:	Xpress Super Short
Auxiliary Program:	Dryness Level

Safety:

Child Lock:	Yes
Overheating Temp. Protection:	Yes

Dimensions & Weights

Unpackaged Height:	846 mm
Unpackaged Width:	597 mm
Unpackaged Depth:	589 mm
Unpackaged Weight:	45 kg
Packaged Height:	885 mm
Packaged Width:	650 mm
Packaged Depth:	600 mm
Packaged Weight:	46.5 kg



BDP810W

8 kg Sensor Controlled Heat Pump Dryer



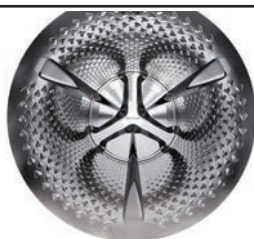
Optisense® Technology - Preventing over-drying, our sensor drying programmes identify the level of moisture in the drum and automatically stop the cycle when the optimal dryness level has been reached. As well as saving you time and money, your laundry will benefit from better care and protection.



Aquawave Drum - A specially designed drum pattern, with the help of paddles, gently moves your laundry in a wave-like drum action. So your clothes move smoothly around in the drum giving a better mixing effect while increasing drying performance and you save energy too.



Auto AntiCreasing - Perfect for those days when you can't unload your laundry right away, our automatic anti-creasing function rotates the drum periodically for up to 2 hours after a cycle has finished, separating your laundry to minimise creases.



Reverse Drum Action - If you're tired of unloading messy heaps of laundry, our reverse action drum can help. By separating your garments as they're drying, the drum helps to reduce creasing.



Eco Gentle Heat Pump Technology - your laundry is dried at a lower temperature, slightly increasing drying times (compared to a standard condenser dryer) but providing better protection for clothes and reducing energy consumption.



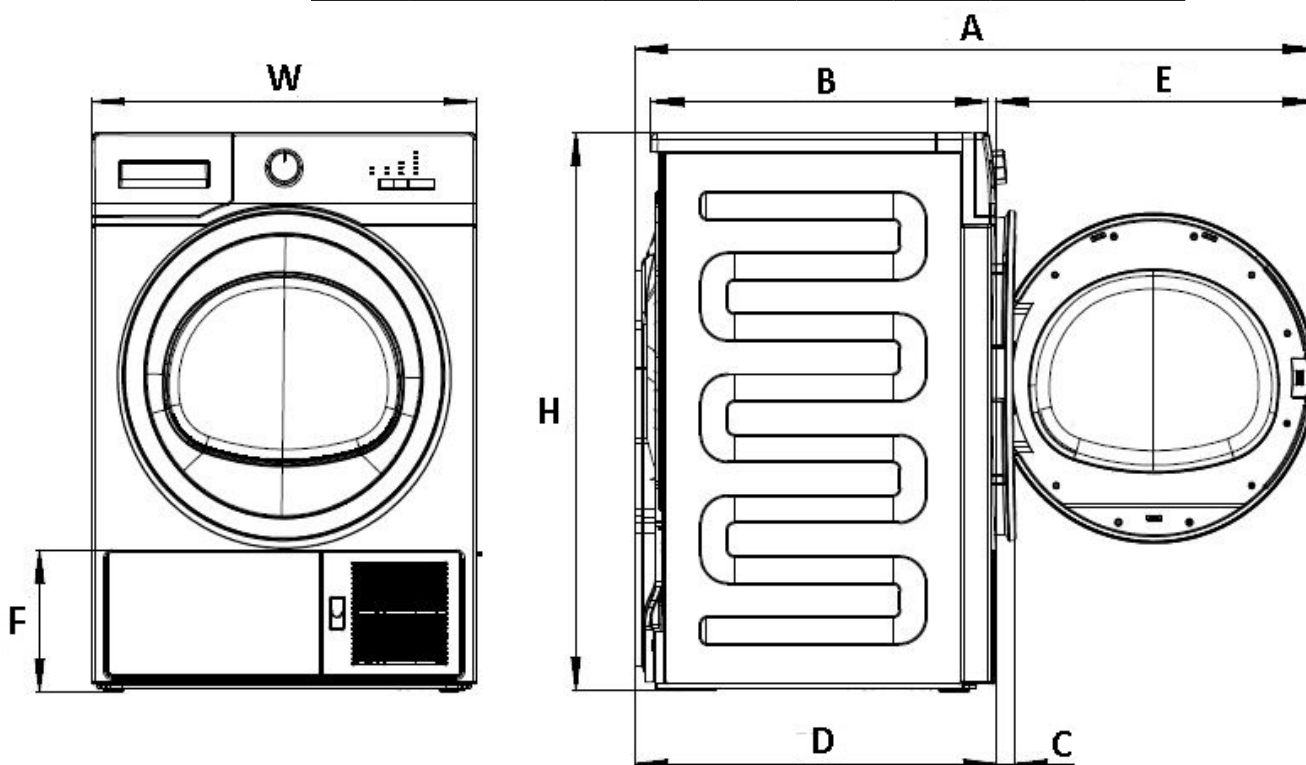
Official partner of
the
everyday

BDP810W

8 kg Sensor Controlled Heat Pump Dryer



W	D	H	A	B	C	E	F	Unit
597	558	846	1054	523	31	496	215	mm



Official partner of the *everyday*