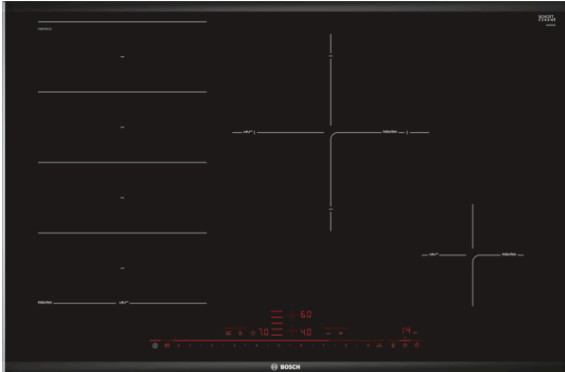


## Serie | 8, Induction cooktop, 80 cm, PXE875DC1E



### Optional accessories

- HEZ390011 : Stainless Steel roaster with glas lid
- HEZ390090 : Wok Set consisting of 3 Items
- HEZ390511 : Teppan Yaki (small)
- HEZ390512 : Teppan Yaki (large)
- HEZ390522 : Griddle Plate

## The induction cooktop with PerfectFry: achieve perfect frying results thanks to automatic temperature control.

- **FlexInduction Zone:** Get more flexibility by combining the cooking zones into one big zone for placing multiple small pots or large cookware.
- **DirectSelect Premium:** Direct, simple selection of the desired cooking zone, power and additional functions.
- **ComfortProfile:** Elegant, appealing design with bevelled front and sleek stainless steel strips on the side.
- **PerfectFry:** For perfect browning of roasted foods thanks to sensor control with 5 power levels.
- **Timer with switch-off function:** Conveniently turns off the assigned cooking zone after the set time.
- **PowerBoost:** Up to 50% more power for faster heating.

### Technical Data

Product name/family :	Cooking zone ceramic
Construction type :	Built-in
Energy input :	Electric
Total number of positions that can be used at the same time :	4
Required niche size for installation (HxWxD) :	51 x 750-780 x 490-500
Width of the product (mm) :	816
Dimensions of the product (mm) :	51 x 816 x 527
Dimensions of the packed product (HxWxD) (mm) :	126 x 953 x 603
Net weight (kg) :	15.763
Gross weight (kg) :	17.0
Residual heat indicator :	Separate
Location of control panel :	Hob front
Basic surface material :	Ceramic
Color of surface :	Alu, brushed, Black
Color of frame :	Alu, brushed
Approval certificates :	AENOR, CE
Length electrical supply cord (cm) :	110
EAN code :	4242002861746
Electrical connection rating (W) :	7400
Voltage (V) :	220-240
Frequency (Hz) :	60; 50



## Serie | 8, Induction cooktop, 80 cm, PXE875DC1E

**The induction cooktop with PerfectFry:  
achieve perfect frying results thanks to  
automatic temperature control.**

---

### **Design**

- Stainless steel side profiles with beveled front
- 4 induction cooking zones
- Direct Select Premium Touch Control

### **Size & Power**

- 17 power levels for each cooking zone
- Cooking zone left: Flex zone
  - 240 mm x 400 mm
  - 3.3 KW / 3.7 KW with powerBoost
- Cooking zone front right:
  - 145 mm
  - 1.4 KW / 2.2 KW with powerBoost
- Cooking zone rear right:
  - 280 mm
  - 2.6 KW / 3.7 KW with powerBoost

### **Comfort & Convenience**

- Timer with automatic switch off for all zones
- PowerBoost function - reduce the time to heat up large quantities of water
- ShortBoost function - reduce the time to heat up pans
- PerfectFry sensor with 5 automatic frying programs
- Move Mode - 3 Automatic Power Levels
- QuickStart - Quick and automatic first pot detection
- ReStart - Quickly reinstates previous settings
- WipeProtection - Quickly pauses settings to clean as you go
- Keep warm function - low setting for keeping food warm at the touch of a button
- Energy consumption display

### **Safety and Environment**

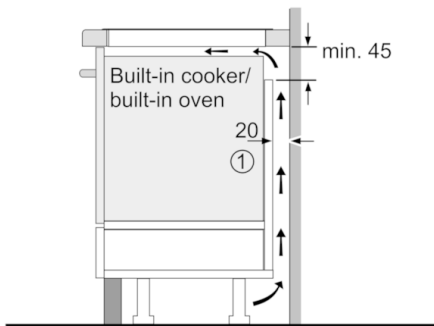
- Digital 2-stage residual heat indicator for each cooking zone
- Childproof lock
- Automatic safety switch-off
- Integrated cooling fan

### **2 year warranty**

### **Technical Information**

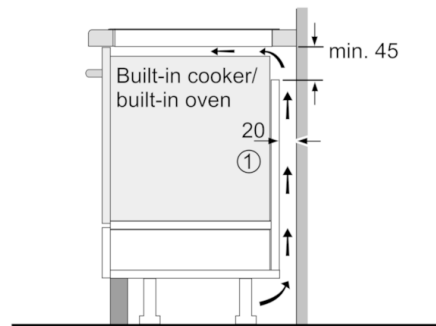
- 7.4 kW total connected load
- Min. worktop thickness: 30 mm

## Serie | 8, Induction cooktop, 80 cm, PXE875DC1E



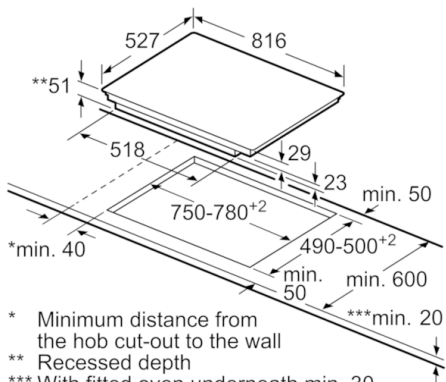
①  
Ventilation gap must  
be present

All measurements in mm



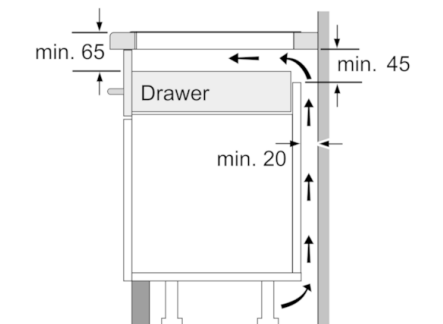
①  
Ventilation gap must  
be present

All measurements in mm

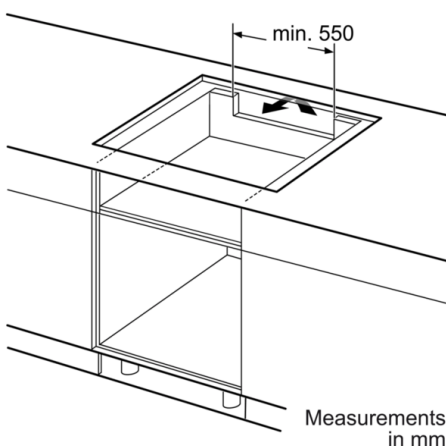


\* Minimum distance from  
the hob cut-out to the wall  
\*\* Recessed depth  
\*\*\* With fitted oven underneath min. 30,  
possibly more; see space requirements  
for the oven

measurements in mm



Measurements in mm



Measurements  
in mm