
CTI Series

TOASTER Instructions for use



The DeLonghi logo is located at the bottom right of the page. It consists of the brand name 'DeLonghi' in a bold, sans-serif font, enclosed within a black oval border with a white background.

ELECTRICAL CONNECTION (UK ONLY)

- A) If your appliance comes fitted with a plug, it will incorporate a 13 Amp fuse. If it does not fit your socket, the plug should be cut off from the mains lead, and an appropriate plug fitted, as below. **WARNING:** Very carefully dispose of the cut off plug after removing the fuse: do not insert in a 13 Amp socket elsewhere in the house as this could cause a shock hazard. With alternative plugs not incorporating a fuse, the circuit must be protected by a 15 Amp fuse. If the plug is a moulded-on type, the fuse cover must be re-fitted when changing the fuse using a 13 Amp Asta approved fuse to BS 1362. In the event of losing the fuse cover, the plug must NOT be used until a replacement fuse cover can be obtained from your nearest electrical dealer. The colour of the correct replacement fuse cover is that as marked on the base of the plug.
- B) If your appliance is not fitted with a plug, please follow the instructions provided below:

WARNING - THIS APPLIANCE MUST BE EARTHED


IMPORTANT

The wires in the mains lead are coloured in accordance with the following code:

Green and yellow:	Earth
Blue:	Neutral
Brown:	Live

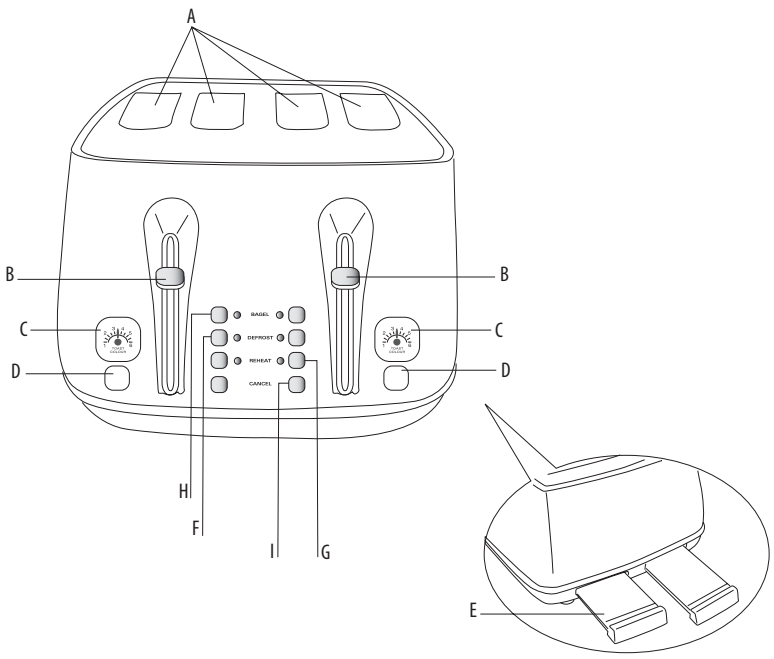


As the colours of the wires in the mains lead may not correspond with the coloured markings identifying the terminals in your plug, proceed as follows:

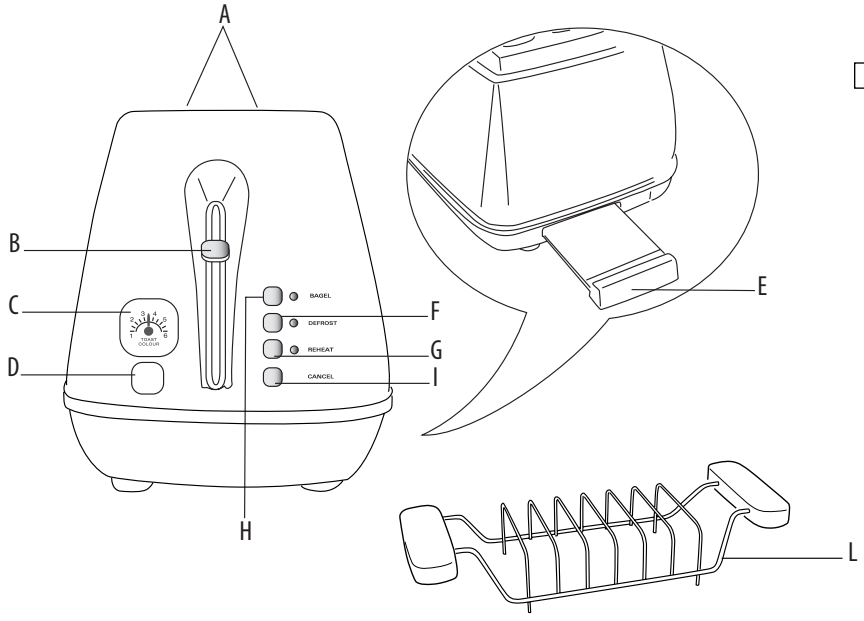
The green and yellow wire must be connected to the terminal in the plug marked with the letter E or the earth symbol  or coloured green or green and yellow. The blue wire must be connected to the terminal marked with the letter N or coloured black. The brown wire must be connected to the terminal marked with the letter L or coloured red.

DESCRIPTION OF APPLIANCE

4 Slice



2 Slice



INTRODUCTION

Thank you for choosing a De'Longhi product.

Please take a few moments to read the instructions to avoid risks or damage to the appliance.

Symbols used in these instructions

Important warnings are identified by the symbols below.

It is important to respect the warnings.

Failure to respect the warnings could lead to electric shock, serious injury, burns, fire or damage to the appliance.



Danger!

Failure to observe the warning may result in life threatening injury by electric shock.



Important!

Failure to observe the warning could result in injury or damage to the appliance.



Danger of burns!!

Failure to observe the warning could result in burns or scalds.



Please note:


This symbol indicates recommendations and important information for the user.

IMPORTANT WARNINGS

Safety warnings



Danger!

- The appliance is exclusively for the use of toasting bread products. Any other use is to be considered inappropriate and therefore dangerous. The manufacturer cannot be held responsible for eventual damage caused by inappropriate, improper or irresponsible use and/or for repairs made to the product by unauthorised personnel.
- Before inserting the plug into the socket, ensure that: The voltage of the socket corresponds to the value indicated on the information label, attached to the appliance. The electrical socket is earthed. The manufacturer does not accept any liability if this requirement is not observed.
- In the case of incompatibility between the socket and the plug of the appliance, have it replaced by a qualified technician. The use of adapters, multiple socket units and/or extension cables is not recommended. Whenever it may be necessary to use such equipment, it is advisable to use only single or multiple adapters or extension cables which comply with the current safety standards, and make sure not to exceed the wattage limit of the adapter or extension cable.
- If the supply cord is damaged, it must be replaced by the manufacturer, its service agent or similarly qualified persons in order to avoid a hazard.
- To avoid electric shocks, never let the toaster, cord or plug get wet, and NEVER put your hand or anything metal, e.g. a knife or foil, into the toaster.
- Do not touch the appliance with wet or damp hands.
- Do not use the appliance with bare or wet feet.
- Always unplug the toaster when not in use, before cleaning or attempting to clear jammed bread.
-  **Important!**
 - The appliance is designed and produced for domestic use only. It is not suitable for use in: staff kitchens in shops, offices and other workplaces, farm houses, hotels, motels or other holiday accommodation, guest houses.
 - The plastic bag in which the appliance was packaged should be kept out of reach of children as it poses a suffocation hazard.
 - This appliance can be used by children aged 8 upwards and by persons with reduced physical, sensory or mental capabilities or who lack of experience and knowledge if they are supervised or have been given instructions concerning use of the appliance in a safe way and understand the hazards involved. Children must not play with the appliance. Cleaning and user maintenance must not be carried out by children unless they are older than 8 and supervised. Keep the appliance and its cord out of the reach of children under 8 years of age.
 - Do not unplug the appliance from the outlet by pulling on the cord.
 - Do not leave the appliance exposed to the elements, (rain, direct sunlight, frost, etc.).
 - Do not immerse the appliance, the plug, or the electrical cable in water.
 - This appliance is not intended to be operated by means of an external timer or

separate remote-control system.

- For necessary repairs or replacement of the electrical cable, consult the technical service centre authorised by the manufacturer. Please refer to enclosed guarantee leaflet for details.
- As with any electrical appliance, whilst the instructions aim to cover as many eventualities as possible, caution and common sense should be applied when operating your appliance, particularly in the vicinity of young children.



Danger of burns!!

- When the machine is running, the external surface temperature can be very high. Always use handles or protective gloves if necessary.
- Bread is a foodstuff which may catch fire. Do not use this appliance under or next to curtains or other combustible material.
- Do not cover the appliance while it is in use, it could overheat and catch fire.
- We recommend that you do not use your toaster directly under wall cupboards.
- Burnt food can catch fire, so never leave your toaster on unattended, and set the browning control lower for thin or dry bread which can burn more easily.
- Never warm food with a topping or filling (e.g. pizza): if it drips into the toaster it could catch fire.
- Clean the crumb tray regularly: crumbs can smoke or burn.



Please note:

- After removing the appliance from the packaging, make sure that the product is complete and in perfect condition. Ensure all labels and packaging have been removed from the toaster.
- Remove any dust that may have accumulated on the appliance during transit by dusting it off with a soft dry cloth.



The appliance complies with the following EC directives:

- This appliance conforms to the Directive 2004/108/EC relative to electromagnetic compatibility.
- Materials and accessories coming into contact with food conform to EC regulation 1935/2004.

Use in compliance with intended use

Use this toaster only as described in this manual. All other use is

considered improper. This appliance is not suitable for commercial use. The manufacturer is not liable for damage deriving from improper use of the appliance. This is a household appliance only. It is not intended to be used in:

- staff kitchen areas in shops, offices and other working environments;
- farm houses;
- by clients in hotels, motels and other residential type environments;
- bed and breakfast type environments.

Use in this manner will invalidate the manufacturers warranty.

Disposing of the appliance



In compliance with European directive 2002/96/EC, the appliance must not be disposed of with household waste, but taken to an authorised waste separation and recycling centre.

DESCRIPTION

- A** Bread toasting slots
- B** ON lever
- C** Browning control window
- D** Browning control dial
- E** Crumb collection tray
- F** Defrost button
- G** Reheat button
- H** Bagel button
- I** Stop/cancel button
- L** Bun warmer (certain models)

USE

Before using for the first time

- Clip excess cord into the cord storage clips underneath the toaster.
- As with all new heating elements, your toaster may emit a slight burning or 'new' smell when it is first switched on. This is normal and not a cause for concern.
- To eliminate the 'new' smell at the first use, operate the toaster on a medium setting without any bread inside. Ensure the room is well ventilated during this operation.

To use your toaster

- Make sure that the ON levers (**B**) are at the rest position. Click turn the toasting level dial (**D**) to the required level (from 1 - 6).
- Connect the appliance to the electrical outlet.
- Insert the slices of bread into the bread toasting slots (**A**) and lower the lever (**B**) until it is all the way down.



Please note: If the appliance is not connected to the electrical outlet, the lever (**B**) will not stay down.

- When the toasting is finished, the lever returns to the rest position, raising the toasted bread slices at the same time.
 - If the bread is not sufficiently toasted, select a darker degree of toasting by turning the browning control dial (D).
 - The toasting can be interrupted at any time by pressing the Stop/Cancel button (I).
- Never lift the lever (B) to cancel toasting.



Danger of burns!! the bread toasting slots become very hot during operation. Do not touch.

Defrost function

Frozen slices of bread may be toasted by pressing the Defrost button (F) immediately after lowering the lever (B); the toasting cycle will be lengthened in order to achieve the desired browning. The defrost indicator light will remain lit while the defrost function is in use.

Reheat function

To warm toast that has popped up but gone cold, lower the lever (B) again and then press the 'Reheat' button (G). Please note that this is fixed reheat time which cannot be adjusted by the browning control.

The reheat function can be cancelled at any time by pressing the Stop/Cancel button (I). The reheat indicator light will remain lit while the reheat function is in use.

Bagel function

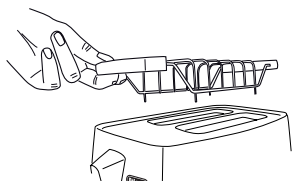
The 'Bagel' function allows for the toasting of bread, bagels and muffins etc on one side only (internal side), while the other (external side) remains warm. Bagels and muffins must be sliced in half before toasting. Press down on the lever (B) and then press the 'Bagel' button (H). The bagel indicator light will remain lit while the bagel function is in use.

Bun warmer (L) (certain models)

You can use the bun warmer to warm foods such as: croissants or previously toasted food.

Proceed as follows:

- Place the bun warmer over the toasting slots as shown in the figure.



- Rest the food to be warmed on the bun warmer.
- Turn the toasting level dial (D) to the required level (1-6).
- Lower the ON lever (B).

- If the food is not warm enough, next time use a higher toasting level.

Suggestions for use

- Select a lower setting for light browning, for toasting one slice only or for dry bread.
- When toasting a single slice of bread, you may notice a variation in toast colour from one side to the other – this is normal.
- Dry/stale bread toasts more quickly than fresh bread, and thinly sliced bread toasts more quickly than thickly sliced bread. Therefore the browning control should be set at a lower setting than usual.
- For best results ensure that the bread slices are of an even thickness, freshness and size.
- In order to achieve uniform browning we recommend that you wait a minimum of 30 seconds between each toasting so that the heating control can reset. Alternatively select a lower setting when additional toasting is carried out.

Precautions

- Never use the appliance when it is empty (when there is no bread inside) except on first use.
- Do not use very thin or broken slices of bread.
- Do not insert other foods that may drip during the cooking process. In addition to making the cleaning procedure more difficult, these may cause fires.
- Clean the crumb tray regularly: crumbs can smoke or burn.
- Do not insert (by force) foods that are too big for the slots.
- Do not insert forks or other utensils into the toaster in order to remove bread. As well as damaging the toaster, there is a high risk of electric shock.
- Should some toast remain blocked in the toaster, remove the plug from the mains, wait for the toaster to cool down until it is safe to touch, then turn the toaster over and shake it gently.

CARE AND CLEANING

Before cleaning, unplug your toaster and let it cool down.

- The external part of the appliance must be cleaned with a soft cloth. Do not use abrasive detergents that can ruin the surface.
- USE ONLY WATER FOR CLEANING.
- DO NOT IMMERSE IN WATER.
- After each use, remove the plug from the electrical outlet and empty the crumb collection tray that is under the appliance.



Danger! DO NOT TOUCH ANY PART OF THE TOASTER WITH SHARP OR METAL UTENSILS, ESPECIALLY INSIDE THE BREAD TOASTING SLOTS. RISK OF ELECTRIC SHOCK.