

## EHG645SD

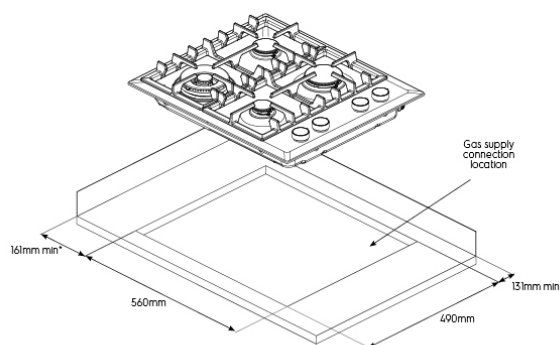
60cm 4 burner stainless steel gas cooktop with 17MJ/hr wok burner, dual flame control and flat cast iron trivets.

### Features

- Powerful 17 MJ/HR wok burner
- Dual Flame control
- Laser etched control panel
- Wok stand included
- Metalised knob
- Convenient electronic ignition
- Flame Failure Safety Device
- Stability with flat cast trivets
- LP conversion kit included (must be installed by licensed tradesman)



Models:  
EHG645SD  
EHG645SD



### DIMENSIONS

Total product height (mm) - 55, Total product width (mm) - 595, Total product depth (mm) - 530, Cut out width (mm) - 560, Cut out depth (mm) - 490

\*To combustible surface (dimension is not relevant if the adjacent surface is non-combustible).