

**90cm 5 zone induction cooktop with FlexiBridge, Chef Mode, MaxiZone, 14 stage slide controls and Hob2Hood capability.**

RRP AUS \$2,939.00



## Product Details

### FEATURES

---

Flexibility to cook with  
FlexiBridge

Chef Mode

MaxiZone

Hob2Hood technology

---

Touch and slide controls  
Touch the control bar at the  
necessary heat setting

STOP + GO function

Timer and minute minder

Auto warm-up function

---

Auto pot detection

---

### BENEFITS

---

#### Your kitchen, your way

Enjoy a kitchen appliance that's versatile enough to handle your most complex dishes. Thanks to FlexiBridge, you can combine your induction segments in a range of ways or use them all at once for the largest single cooking area available. Perfect heat distribution ensures even cooking all the way through.

#### Cook like a chef

Chef Mode enables you to choose between different preset heated zones by simply sliding your pan across the hob. Go from boiling to simmering to keeping the pot warm by placing it on the different heat zones allowing you full control in the kitchen.

---

#### Enjoy the space and freedom to cook what you want

Use large pots and pans like a professional chef. The extra large MaxiZone on this hob gives you the freedom to effortlessly prepare all kinds of dishes that need a large pan with consistent heat, like that delicious paella you've been wanting to cook.

#### The hands free hood

While you concentrate on the flavours, the innovative Hob2Hood feature will take care of keeping your kitchen fresh. The rangehood automatically turns on as soon as you start cooking, and intuitively adjusts the fan speed with your cooking.

---

#### Control at your fingertips

The touch controls on this hob lets you heat up, down or switch off immediately. Just gently slide your finger across the control to the temperature you need and you can be confident it will respond right away, so you can create delicious meals effortlessly. The Stop & Go feature offers a useful keep warm setting if you're unexpectedly interrupted.

---

## Specifications

### PRODUCT PROFILE

---

Domestic warranty details (yrs)	2
Cooktop type	Induction
Materials/Colour	black ceramic glass

---

### CONTROLS

---

Controls of Cooktops	Touch and Slide controls
Position of controls	front
Functions of Cooktops	stop and go,automatic warm up,timer,Keep warm function,cooking timer with acoustic signal,automatic switch off,power booster,Hob2Hood,FlexiBridge,Chef Mode
Indicators/display	fault indicator,3 level residual heat indicator

---

### DIMENSIONS

---

Total product height (mm)	55
Total product width (mm)	910
Total product depth (mm)	520
Cut out width (mm)	880
Cut out depth (mm)	490

---

### ELEMENTS/BURNERS

---

#### LEFT FRONT ZONE

---

Left front zone	induction extended
Left front Watts	2300
Left front boost watts	3400
Left front diameter	215

---

## CONTROLS

---

Features of Cooktop	safety cut off,overheating protection,electronic timer,minute minder,hot surface indicator,FlexiBridge zone,Chef Mode,function lock,auto pot sensors,child safety device lock,Hob2Hood Connectivity
---------------------	---

---

Timer of Cooktop	programmable 99min,auto off,countdown
------------------	---------------------------------------

---

## LEFT REAR ZONE

---

Left rear zone	induction extended
----------------	--------------------

---

Left rear watts	2300
-----------------	------

---

Left rear diameter	215
--------------------	-----

---

## RIGHT FRONT ZONE

---

Right front zone	induction
------------------	-----------

---

Right front Watts	1400
-------------------	------

---

Right front diameter	145
----------------------	-----

---

## CENTRE FRONT ZONE

---

Centre front zone	induction maxi
-------------------	----------------

---

Centre front Watts	3500
--------------------	------

---

Centre front diameter	280
-----------------------	-----

---

## RIGHT REAR ZONE

---

Right rear zone	induction
-----------------	-----------

---

Right rear watts	1800
------------------	------

---

Right rear diameter	180
---------------------	-----

---

## ELECTRICAL SPECIFICATIONS

## SHIPPING

**ELECTRICAL SPECIFICATIONS**

---

Connected load KW	11
-------------------	----

---

Maximum current rating (amps)	45
----------------------------------	----

---

Type of connection	hardwired
--------------------	-----------

---

**SHIPPING**

---

Shipping Volume (m3)	0.93
----------------------	------

---

Shipping Weight (Kg)	20.0
----------------------	------

---

Pack Dimensions Height (mm)	125
--------------------------------	-----

---

Pack Dimension Width (mm)	635
------------------------------	-----

---

Pack Dimension Depth (mm)	1170
------------------------------	------

---

Total shelf area (m <sup>2</sup> )	74.30
------------------------------------	-------

---

**STUFFING QUANTITIES**

---

20ft	128
------	-----

---

40ft	288
------	-----

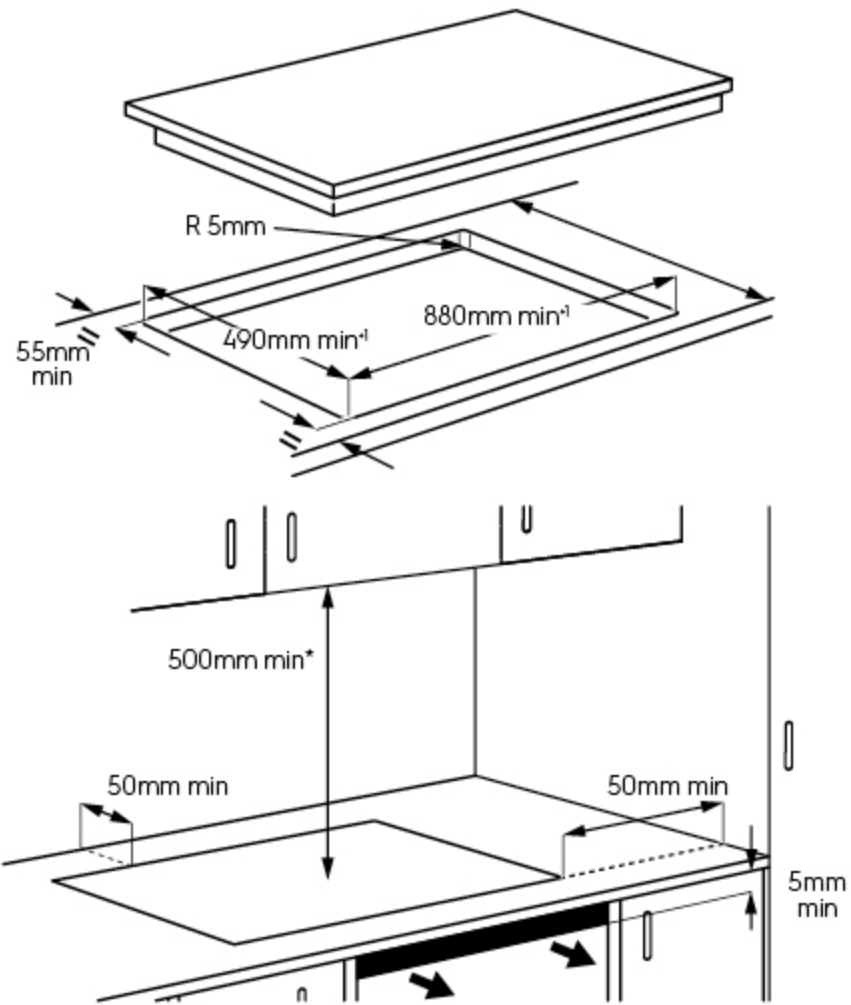
---

40ft HC	342
---------	-----

---

## Dimensions

**Models:**  
EHI997BD  
EHI955BD



\*Unless otherwise specified in rangehood installation details.

## Terms and Conditions

### IMPORTANT

This is a guide of product dimensions only. For complete installation instructions, refer to the manual provided with product.

### PRODUCT INFORMATION

The descriptors and illustrations in this publication apply to the specific products and models described as at the date of issue. Under our policy of continuous product development, product specifications may change without notice. Prospective purchasers should therefore check with their retailer to ensure this publication correctly describes the products that are being offered for sale. All information supplied is to be used for general reference purposes only and is on the understanding that Electrolux Home Products Pty Ltd (Australia) and Electrolux (NZ) Ltd (New Zealand) will not be liable for any loss, liability or damage of whatever kind arising as a result of reliance on such information. Colours of products illustrated are as close as printing limitations allow. Electrolux will at all times comply with its obligations pursuant to law including Trade Practices (Australian Consumer Law) Act and Regulations.

### WARRANTY

This warranty only applies to Appliances purchased and used in Australia or New Zealand and used in normal domestic applications and is in addition to (and does not exclude, restrict, or modify in any way) any non-excludable statutory warranties in Australia or New Zealand. All warranties are subject to the conditions set out in the warranty card accompanying the product when purchased.

#### ELECTROLUX HOME PRODUCTS AUSTRALIA

telephone: 1300 363 640

fax: 1800 350 067

email: [customercare@electrolux.com.au](mailto:customercare@electrolux.com.au)

web: [www.electrolux.com.au](http://www.electrolux.com.au)

#### ELECTROLUX HOME PRODUCTS NEW ZEALAND

telephone: 09 573 2230

fax: 09 573 2221

email: [customercare@electrolux.co.nz](mailto:customercare@electrolux.co.nz)

web: [www.electrolux.co.nz](http://www.electrolux.co.nz)