

60cm Dark stainless steel 8 multifunction oven with Bake +Steam and knob controls.
RRP AUS \$1,299.00



Product Details

FEATURES

Bake +Steam

FullFlex Telescopic Runners

Easy glide side racks

Catalytic self cleaning rear liner

Surround lighting for better illumination

Simple to use Rotary knob controls

80L gross capacity oven

8 oven functions

Keeping an eye on your delicious food couldnt be simpler, with halogen lights embedded in the front and back to illuminate the oven.

BENEFITS

Effortless baking

Adding steam to your Baking Program can lift your baking skills to a whole new level. The Bake +Steam function on this oven uses a touch of steam to create a richer and glossier colour, a crispier crust and soft delicious texture for your home-baked goodies.

Smooth operator

Our fully extendable telescopic runners give you safe, effortless access to all areas of your oven. This makes it simple to turn, baste and check on your food for delicious results every time.

Specifications

PRODUCT PROFILE

| | |
|---------------------------------|----------------------------|
| Domestic warranty details (yrs) | 2 |
| Type of Oven | single oven |
| Oven fuel | electric |
| Materials/Colour | Dark stainless steel,black |
| Controls of Oven | control knob |
| Cooling fan | Yes |

FLUSH FIT CUT OUT

| | |
|-------------------------------|-----|
| Flush fit cut out height (mm) | 600 |
| Flush fit cut out width (mm) | 600 |
| Flush fit cut out depth (mm) | 581 |

DIMENSIONS

PRODUCT DIMENSION

| | |
|-------------------|-----|
| Total height (mm) | 597 |
| Total width (mm) | 596 |
| Total depth (mm) | 568 |

MAIN OVEN

| | |
|-------------------------|--|
| Gross capacity litres | 80 |
| Useable capacity litres | 72 |
| Oven function | multifunction |
| Number of functions | 8 |
| Oven Functions | rapid heat,fan grill,full grill,grill,pastry,fan bake,bake/pizza,Bake +Steam |

ELECTRICAL CONNECTION

| | |
|-------------------------------|-----------|
| Connected load KW | 3.1 |
| Maximum current rating (amps) | 12.9 |
| Type of connection | hardwired |
| Minimum Fuse rating (amps) | 16 |

MAIN OVEN

| | |
|-----------------|---|
| Oven liner | pyrolux high temperature enamel |
| Timer functions | acoustic signal,duration,minute minder,Countdown,End time,Delayed start,Time of day |

OTHER FEATURES

| | |
|--------------------------|--|
| Cleaning | catalytic |
| Catalytic liner position | rear |
| Door | removable door,removable inner glass panes |
| Timer | Fully programmable touch control timer |
| Lights | 2 |
| Light wattage | 25 |
| Light position | side and rear |
| Telescopic runners | two |
| Shelf support | Easy glide side racks |
| Number of shelves | 3 |
| Closed door grilling | Yes |

OTHER FEATURES

| | |
|-------------------------|-----|
| Fold down grill element | Yes |
|-------------------------|-----|

| | |
|----------------------|---|
| Included accessories | 2 x chromed wire shelf, baking tray, grill/oven pan, 2 x telescopic runners |
|----------------------|---|

| | |
|-------------------------|---|
| Layers of glass in door | 3 |
|-------------------------|---|

| | |
|---------------------------|---|
| Number of shelf positions | 5 |
|---------------------------|---|

SHIPPING

| | |
|----------------------|------|
| Shipping Volume (m3) | 0.28 |
|----------------------|------|

| | |
|----------------------|------|
| Shipping Weight (Kg) | 43.5 |
|----------------------|------|

| | |
|-----------------------------|-----|
| Pack Dimensions Height (mm) | 665 |
|-----------------------------|-----|

| | |
|---------------------------|-----|
| Pack Dimension Width (mm) | 635 |
|---------------------------|-----|

| | |
|---------------------------|-----|
| Pack Dimension Depth (mm) | 670 |
|---------------------------|-----|

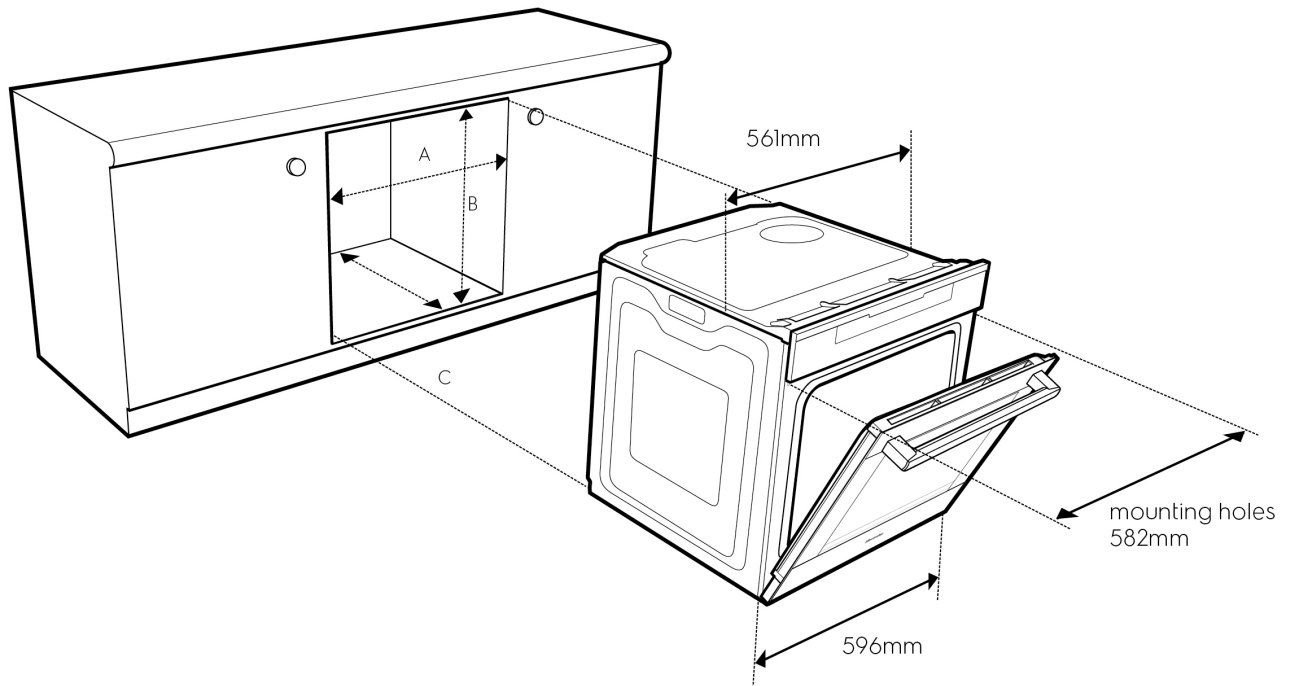
| | |
|------------------------------------|-------|
| Total shelf area (m ²) | 42.55 |
|------------------------------------|-------|

STUFFING QUANTITIES

| | |
|------|-----|
| 40ft | 153 |
|------|-----|

Dimensions

Models:
 EVE614SD
 EVE614DSD
 EVE616DSD



Cut-out dimensions

| Type of fit | A (width) | B (height) | C (depth) |
|----------------|-----------|------------|-----------|
| Flush fit (mm) | 600 | 600 | 581 min. |

Please note! Dimensions to be used as a guide only. All customers MUST refer to the user manual supplied with the product for detailed installation instructions.

Terms and Conditions

IMPORTANT

This is a guide of product dimensions only. For complete installation instructions, refer to the manual provided with product.

PRODUCT INFORMATION

The descriptors and illustrations in this publication apply to the specific products and models described as at the date of issue. Under our policy of continuous product development, product specifications may change without notice. Prospective purchasers should therefore check with their retailer to ensure this publication correctly describes the products that are being offered for sale. All information supplied is to be used for general reference purposes only and is on the understanding that Electrolux Home Products Pty Ltd (Australia) and Electrolux (NZ) Ltd (New Zealand) will not be liable for any loss, liability or damage of whatever kind arising as a result of reliance on such information. Colours of products illustrated are as close as printing limitations allow. Electrolux will at all times comply with its obligations pursuant to law including Trade Practices (Australian Consumer Law) Act and Regulations.

WARRANTY

This warranty only applies to Appliances purchased and used in Australia or New Zealand and used in normal domestic applications and is in addition to (and does not exclude, restrict, or modify in any way) any non-excludable statutory warranties in Australia or New Zealand. All warranties are subject to the conditions set out in the warranty card accompanying the product when purchased.

ELECTROLUX HOME PRODUCTS AUSTRALIA

telephone: 1300 363 640

fax: 1800 350 067

email: customercare@electrolux.com.au

web: www.electrolux.com.au

ELECTROLUX HOME PRODUCTS NEW ZEALAND

telephone: 09 573 2230

fax: 09 573 2221

email: customercare@electrolux.co.nz

web: www.electrolux.co.nz