

90cm Dark stainless steel 13 multifunction oven with Bake +Steam, twin fan system, pyrolytic cleaning, Intuitive Oven Interface and Smart Food Probe.

RRP AUS \$4,899.00



Product Details

FEATURES

Bake +Steam

Twin fan system
Fans rotate in opposite directions, distributing heat evenly throughout the oven.

Intuitive Oven Interface (IOI)

Smart Food Probe

Pyrolytic self-cleaning oven

FullFlex Telescopic Runners

Soft close door

13 oven functions

Huge 125L gross capacity oven

BENEFITS

Effortless baking

Adding steam to your Baking Program can lift your baking skills to a whole new level. The Bake +Steam function on this oven uses a touch of steam to create a richer and glossier colour, a crispier crust and soft delicious texture for your home-baked goodies.

Twin fan system

Cook each dish to perfection with the Twin Fan System. Fans rotate in opposite directions, distributing heat evenly throughout the oven, so you enjoy great results every time.

Say hello to intuitive control

Cooking should be fun, not complicated. Our Intuitive Oven Interface (IOI) gives you a simpler and more enjoyable way to cook. You won't even need a manual.

The perfect result, every time

The Smart Food Probe ensures your dishes are delicious every time. The food probe alerts you when food reaches the desired core temperature and switches the oven off so you get the perfect result.

Love your cooking. We'll clean up.

Now you can unleash your creative skills in the kitchen, without worrying about the mess. Just set the pyrolytic function, come back when it's finished and wipe away the residue, without hard scrubbing or exposure to harsh chemicals.

Smooth operator

Our fully extendable telescopic runners give you safe, effortless access to all areas of your oven. This makes it simple to turn, baste and check on your food for delicious results every time.

Specifications

PRODUCT PROFILE

Domestic warranty details (yrs)	2
Type of Oven	Single pyrolytic oven
Oven fuel	electric
Materials/Colour	Dark stainless steel,black
Controls of Oven	IOI,touch
Cooling fan	Yes

FLUSH FIT CUT OUT

Flush fit cut out height (mm)	600
Flush fit cut out width (mm)	900
Flush fit cut out depth (mm)	580

DIMENSIONS

PRODUCT DIMENSION

Total height (mm)	596
Total width (mm)	895
Total depth (mm)	572

MAIN OVEN

Gross capacity litres	125
Useable capacity litres	116
Oven function	multifunction
Number of functions	13

MAIN OVEN

Oven Functions	fan cooking, fan assist bake, traditional bake, roast, pizza, pastry, cook from frozen, full grill, fan grill, keep warm, defrost, Half grill, pyro clean , Plus steam, rapid heat
----------------	---

Oven liner	pyrolux high temperature enamel
------------	---------------------------------

Timer functions	acoustic signal, duration, minute minder, Countdown, End time, Delayed start, Time of day
-----------------	---

ELECTRICAL CONNECTION

Connected load KW	5.2
-------------------	-----

Maximum current rating (amps)	25
----------------------------------	----

Type of connection	hardwired
--------------------	-----------

OTHER FEATURES

Cleaning	pyrolytic
----------	-----------

Pyrolytic functions	3
---------------------	---

Type of Pyrolytic functions	pyrolytic light clean, pyrolytic medium clean, pyrolytic heavy clean
--------------------------------	--

Door	removable door, removable inner glass panes
------	--

Timer	Fully programmable touch control timer
-------	---

Lights	2
--------	---

Light wattage	25
---------------	----

Light position	top
----------------	-----

OTHER FEATURES

Telescopic runners	two
Shelf support	Easy glide side racks
Number of shelves	2
Safety features	child button lock
Closed door grilling	Yes
Fold down grill element	Yes
Included accessories	2 grill inserts, 2 x chromed wire shelf, side racks, grill rack, grill dish, Smart food probe, 2 x telescopic runners
Layers of glass in door	4
Number of shelf positions	7
Food probe	Yes

SHIPPING

Shipping Volume (m3)	0.53
Shipping Weight (Kg)	73.0
Pack Dimensions Height (mm)	720

STUFFING QUANTITIES

40ft	96
------	----

SHIPPING

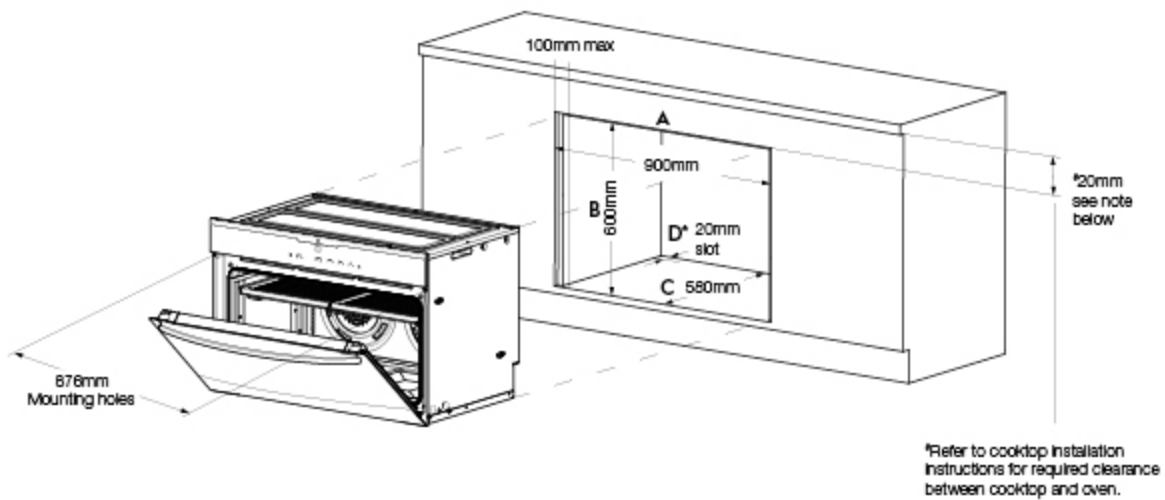
Pack Dimension Width (mm)	990
------------------------------	-----

Pack Dimension Depth (mm)	740
------------------------------	-----

Total shelf area (m ²)	73.26
------------------------------------	-------

Dimensions

Model:
EVEP916DSD



Cut-out dimensions

Type of fit	A (width)	B (height)	C (depth)	D*
Flush fit (mm)	900	600	580 min.	20

Please note! Dimensions to be used as a guide only. All customers MUST refer to the user manual supplied with the product for detailed installation instructions.

Terms and Conditions

IMPORTANT

This is a guide of product dimensions only. For complete installation instructions, refer to the manual provided with product.

PRODUCT INFORMATION

The descriptors and illustrations in this publication apply to the specific products and models described as at the date of issue. Under our policy of continuous product development, product specifications may change without notice. Prospective purchasers should therefore check with their retailer to ensure this publication correctly describes the products that are being offered for sale. All information supplied is to be used for general reference purposes only and is on the understanding that Electrolux Home Products Pty Ltd (Australia) and Electrolux (NZ) Ltd (New Zealand) will not be liable for any loss, liability or damage of whatever kind arising as a result of reliance on such information. Colours of products illustrated are as close as printing limitations allow. Electrolux will at all times comply with its obligations pursuant to law including Trade Practices (Australian Consumer Law) Act and Regulations.

WARRANTY

This warranty only applies to Appliances purchased and used in Australia or New Zealand and used in normal domestic applications and is in addition to (and does not exclude, restrict, or modify in any way) any non-excludable statutory warranties in Australia or New Zealand. All warranties are subject to the conditions set out in the warranty card accompanying the product when purchased.

ELECTROLUX HOME PRODUCTS AUSTRALIA

telephone: 1300 363 640

fax: 1800 350 067

email: customercare@electrolux.com.au

web: www.electrolux.com.au

ELECTROLUX HOME PRODUCTS NEW ZEALAND

telephone: 09 573 2230

fax: 09 573 2221

email: customercare@electrolux.co.nz

web: www.electrolux.co.nz